



EXPAND-IT
ATTACHMENTS



REGISTER YOUR TOOLS

<http://register.ryobitools.com>
1-800-525-2579

For quick tool registration and service – scan and download the RYOBI app.

OPERATOR'S MANUAL

MANUEL D'UTILISATION / MANUAL DEL OPERADOR

ONE+ 18V BRUSHLESS POWER HEAD

BLOC MOTEUR SANS BALAI DE 18 V DE ONE+

CABEZAL MOTOR SIN ESCOBILLAS DE ONE+ 18 V

PBLPH01

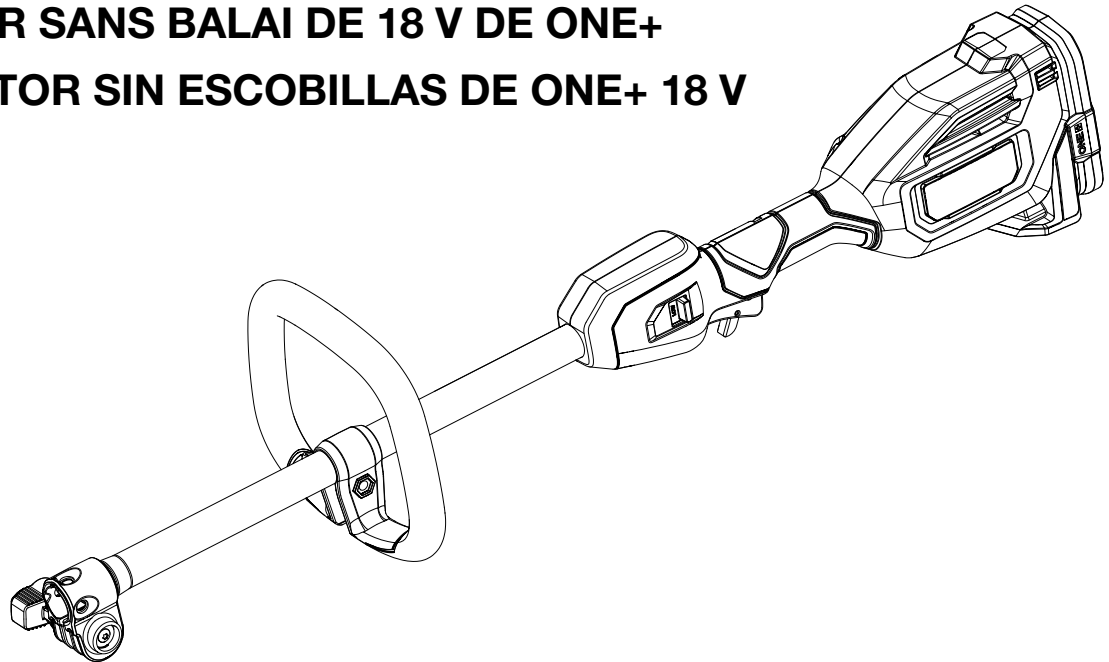


TABLE OF CONTENTS

- Important Safety Instructions..... 2-3
- Symbols4
- Features5
- Assembly..... 5-6
- Operation 6-7
- Maintenance.....8
- Troubleshooting.....9
- Parts Ordering and Service Back Page

TABLE DES MATIÈRES

- Instructions importantes concernant la sécurité..... 2-3
- Symboles4
- Caractéristiques5
- Assemblage..... 5-6
- Utilisation 6-8
- Entretien 8-9
- Dépannage.....9
- Commande de pièces et réparation Page arrière

ÍNDICE DE CONTENIDO

- Instrucciones de seguridad importantes 2-3
- Símbolos4
- Características5
- Armado..... 5-6
- Funcionamiento..... 6-7
- Mantenimiento 8
- Corrección de problemas.....9
- Pedidos de piezas y servicio Pág. posterior

⚠ WARNING: To reduce the risk of injury, the user must read and understand the operator's manual before using this product.

⚠ AVERTISSEMENT : Pour réduire les risques de blessures, l'utilisateur doit lire et veiller à bien comprendre le manuel d'utilisation avant d'employer ce produit.

⚠ ADVERTENCIA: Para reducir el riesgo de lesiones, el usuario debe leer y comprender el manual del operador antes de usar este producto.

SAVE THIS MANUAL FOR FUTURE REFERENCE

CONSERVER CE MANUEL POUR FUTURE RÉFÉRENCE

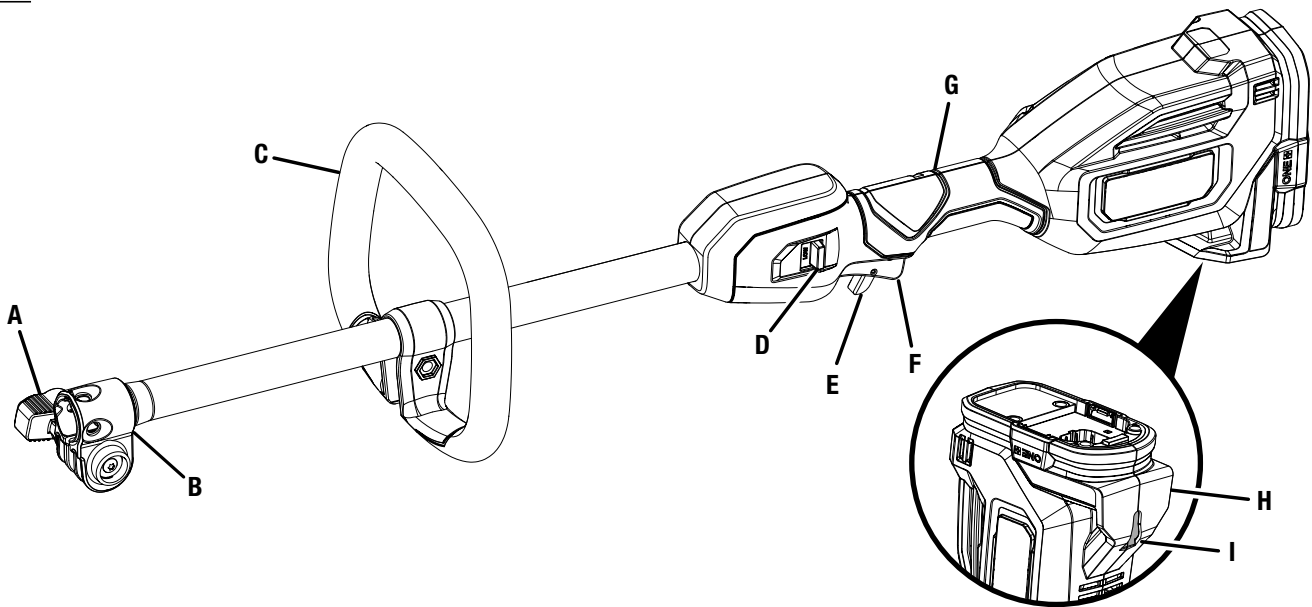
GUARDE ESTE MANUAL PARA FUTURAS CONSULTAS

See this fold-out section for all the figures referenced in the operator's manual.

Voir que cette section d'encart pour toutes les figures a adressé dans le manuel d'utilisation.

Vea esta sección de la página desplegable para todas las figuras mencionó en el manual del operador.

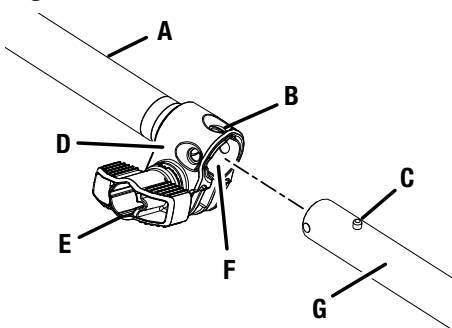
Fig. 1



- A - Knob (bouton, perilla)
- B - Coupler (coupleur, acoplador)
- C - Front handle (poignée avant, mango delantero)
- D - Speed switch (interrupteur de vitesse, interruptor de velocidad)
- E - Trigger lock-out (gâchette avec verrou, gatillo con seguro)

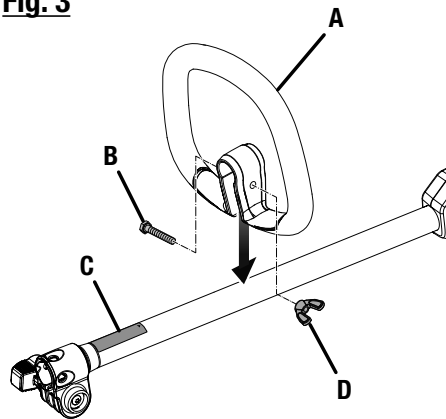
- F - Switch trigger (gâchette, gatillo del interruptor)
- G - Rear handle (poignée arrière, mango trasero)
- H - LINK hanger (support LINK, gancho LINK)
- I - Keyhole hanger (crochet à trou de serrure, gancho para ranura)

Fig. 2



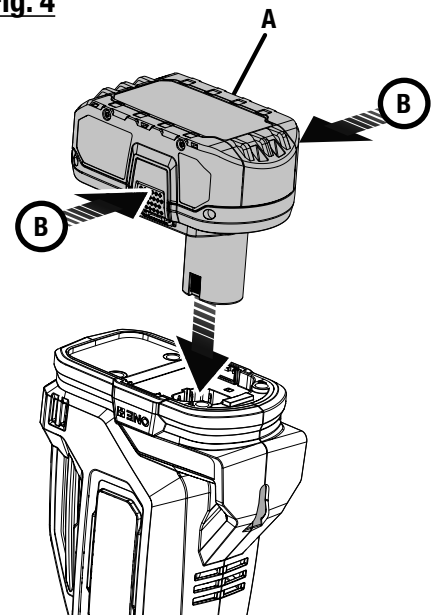
- A - Power head shaft (arbre du bloc moteur, eje del cabezal motor)
- B - Positioning hole (trou de positionnement, orificio de posicionamiento)
- C - Button (bouton, botón)
- D - Coupler (coupleur, acoplador)
- E - Knob (bouton, perilla)
- F - Guide recess (logement guide, hueco guía)
- G - Attachment shaft (arbre d'accessoire, eje del aditamento)

Fig. 3



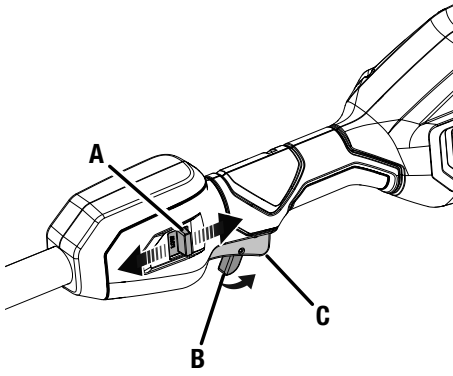
- A - Front handle (poignée avant, mango delantero)
- B - Bolt (boulon, perno)
- C - Handle position label (étiquette de position de la poignée, etiqueta de posición del mango)
- D - Wing nut (écrou à oreilles, tuerca de mariposa)

Fig. 4



- A - Battery pack (bloc-piles, paquete de baterías)
- B - Latch (loquet, pestillo)

Fig. 5



- A - Speed switch (interrupteur de vitesse, interruptor de velocidad)
B - Trigger lock-out (gâchette avec verrou, gatillo con seguro)
C - Switch trigger (gâchette, gatillo del interruptor)

Fig. 6

TYPICAL OPERATING POSITION FOR ATTACHMENTS USED BELOW THE WAIST. SEE YOUR ATTACHMENT OPERATOR'S MANUAL FOR DETAILS SPECIFIC TO YOUR ATTACHMENT.

POSITION DE FONCTIONNEMENT TYPIQUE POUR LES ACCESSOIRES UTILISÉS SOUS LE NIVEAU DE LA TAILLE. SE RÉFÉRER AU MANUEL D'UTILISATION DE VOTRE ACCESSOIRE POUR LES DÉTAILS SPÉCIFIQUES À VOTRE ACCESSOIRE.

POSICIÓN OPERATIVA TÍPICA PARA ACCESORIOS QUE SE USAN DEBAJO DE LA CINTURA. CONSULTE EL MANUAL DEL OPERADOR DE SU ACCESORIO PARA OBTENER DETALLES AL RESPECTO.

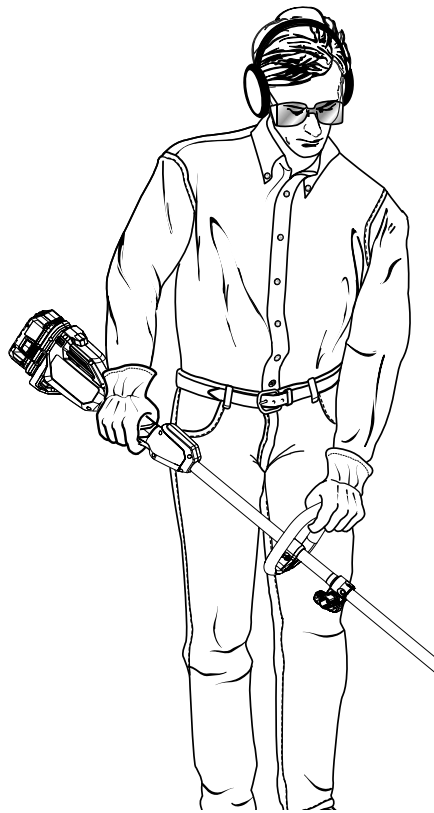
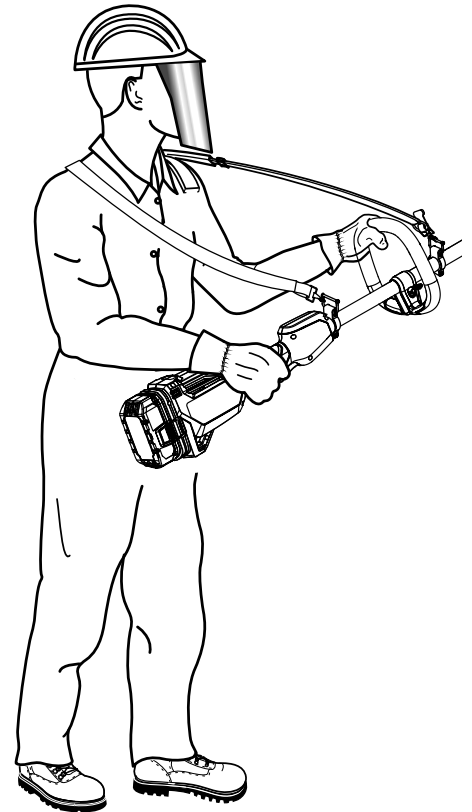


Fig. 7

TYPICAL OPERATING POSITION FOR ATTACHMENTS USED ABOVE THE WAIST. SEE YOUR ATTACHMENT OPERATOR'S MANUAL FOR DETAILS SPECIFIC TO YOUR ATTACHMENT.

POSITION DE FONCTIONNEMENT TYPIQUE POUR LES ACCESSOIRES UTILISÉS AU-DESSUS LE NIVEAU DE LA TAILLE. SE RÉFÉRER AU MANUEL D'UTILISATION DE VOTRE ACCESSOIRE POUR LES DÉTAILS SPÉCIFIQUES À VOTRE ACCESSOIRE.

POSICIÓN OPERATIVA TÍPICA PARA ACCESORIOS QUE SE USAN ENCIMA DE LA CINTURA. CONSULTE EL MANUAL DEL OPERADOR DE SU ACCESORIO PARA OBTENER DETALLES AL RESPECTO.



IMPORTANT SAFETY INSTRUCTIONS

WARNING!

Read all safety warnings, instructions, illustrations and specifications provided with this power tool. Failure to follow all instructions listed below may result in electric shock, fire and/or serious injury.

Save all warnings and instructions for future reference. The term “power tool” in the warnings refers to your mains-operated (corded) power tool or battery-operated (cordless) power tool.

WORK AREA SAFETY

- **Keep work area clean and well lit.** Cluttered or dark areas invite accidents.
- **Do not operate power tools in explosive atmospheres, such as in the presence of flammable liquids, gases or dust.** Power tools create sparks which may ignite the dust or fumes.
- **Keep children and bystanders away while operating a power tool.** Distractions can cause you to lose control.

ELECTRICAL SAFETY

- **Power tool plugs must match the outlet. Never modify the plug in any way. Do not use any adapter plugs with earthed (grounded) power tools.** Unmodified plugs and matching outlets will reduce risk of electric shock.
- **Avoid body contact with earthed or grounded surfaces such as pipes, radiators, ranges and refrigerators.** There is an increased risk of electric shock if your body is earthed or grounded.
- **Do not expose power tools to rain or wet conditions.** Water entering a power tool will increase the risk of electric shock.
- **Do not abuse the cord. Never use the cord for carrying, pulling or unplugging the power tool. Keep cord away from heat, oil, sharp edges or moving parts.** Damaged or entangled cords increase the risk of electric shock.
- **When operating a power tool outdoors, use an extension cord suitable for outdoor use.** Use of a cord suitable for outdoor use reduces the risk of electric shock.
- **If operating a power tool in a damp location is unavoidable, use a ground fault circuit interrupter (GFCI) protected supply.** Use of a GFCI reduces the risk of electric shock.

PERSONAL SAFETY

- **Stay alert, watch what you are doing and use common sense when operating a power tool. Do not use a power tool while you are tired or under the influence of drugs, alcohol or medication.** A moment of inattention while operating power tools may result in serious personal injury.

- **Use personal protective equipment. Always wear eye protection.** Protective equipment such as dust mask, non-skid safety shoes, hard hat, or hearing protection used for appropriate conditions will reduce personal injuries.
- **Prevent unintentional starting. Ensure the switch is in the off-position before connecting to power source and/or battery pack, picking up or carrying the tool.** Carrying power tools with your finger on the switch or energising power tools that have the switch on invites accidents.
- **Remove any adjusting key or wrench before turning the power tool on.** A wrench or a key left attached to a rotating part of the power tool may result in personal injury.
- **Do not overreach. Keep proper footing and balance at all times.** This enables better control of the power tool in unexpected situations.
- **Dress properly. Do not wear loose clothing or jewellery. Keep your hair, clothing and gloves away from moving parts.** Loose clothes, jewellery or long hair can be caught in moving parts.
- **If devices are provided for the connection of dust extraction and collection facilities, ensure these are connected and properly used.** Use of dust collection can reduce dust-related hazards.
- **Do not let familiarity gained from frequent use of tools allow you to become complacent and ignore tool safety principles.** A careless action can cause severe injury within a fraction of a second.

POWER TOOL USE AND CARE

- **Do not force the power tool. Use the correct power tool for your application.** The correct power tool will do the job better and safer at the rate for which it was designed.
- **Do not use the power tool if the switch does not turn it on and off.** Any power tool that cannot be controlled with the switch is dangerous and must be repaired.
- **Disconnect the plug from the power source and/or the battery pack from the power tool before making any adjustments, changing accessories, or storing power tools.** Such preventive safety measures reduce the risk of starting the power tool accidentally.
- **Store idle power tools out of the reach of children and do not allow persons unfamiliar with the power tool or these instructions to operate the power tool.** Power tools are dangerous in the hands of untrained users.
- **Maintain power tools and accessories. Check for misalignment or binding of moving parts, breakage of parts and any other condition that may affect the power tool's operation. If damaged, have the power tool repaired before use.** Many accidents are caused by poorly maintained power tools.

IMPORTANT SAFETY INSTRUCTIONS

- **Keep cutting tools sharp and clean.** Properly maintained cutting tools with sharp cutting edges are less likely to bind and are easier to control.
- **Use the power tool, accessories and tool bits etc. in accordance with these instructions, taking into account the working conditions and the work to be performed.** Use of the power tool for operations different from those intended could result in a hazardous situation.
- **Keep handles and grasping surfaces dry, clean and free from oil and grease.** Slippery handles and grasping surfaces do not allow for safe handling and control of the tool in unexpected situations.
- **Do not expose a battery pack or tool to fire or excessive temperature.** Exposure to fire or temperature above 265°F may cause explosion.
- **Follow all charging instructions and do not charge the battery pack or tool outside the temperature range specified in the instructions.** Charging improperly or at temperatures outside the specified range may damage the battery and increase the risk of fire.
- Use this product only with batteries and chargers listed in tool/appliance/battery pack/charger correlation supplement 987000-432. Refer to individual attachment manual(s) for any limitations.

BATTERY TOOL USE AND CARE

- **Recharge only with the charger specified by the manufacturer.** A charger that is suitable for one type of battery pack may create a risk of fire when used with another battery pack.
- **Use power tools only with specifically designated battery packs.** Use of any other battery packs may create a risk of injury and fire.
- **When battery pack is not in use, keep it away from other metal objects, like paper clips, coins, keys, nails, screws or other small metal objects, that can make a connection from one terminal to another.** Shorting the battery terminals together may cause burns or a fire.
- **Under abusive conditions, liquid may be ejected from the battery; avoid contact. If contact accidentally occurs, flush with water. If liquid contacts eyes, additionally seek medical help.** Liquid ejected from the battery may cause irritation or burns.
- **Do not use a battery pack or tool that is damaged or modified.** Damaged or modified batteries may exhibit unpredictable behaviour resulting in fire, explosion or risk of injury.

SERVICE

- **Have your power tool serviced by a qualified repair person using only identical replacement parts.** This will ensure that the safety of the power tool is maintained.
- **Never service damaged BATTERY packs.** Service of BATTERY packs should only be performed by the manufacturer or authorized service providers.
- **When servicing a power tool, use only identical replacement parts. Follow instructions in the Maintenance section of this manual.** Use of unauthorized parts or failure to follow Maintenance instructions may create a risk of shock or injury.




USING A BRUSH CUTTER ATTACHMENT

- When using a Brush Cutter attachment, follow the manufacturer's instructions for installing the handle and safety harness.
- Only use this Power Head with RYOBI 18V batteries listed in the Brush Cutter Operator's Manual.





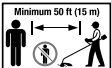




SAVE THESE INSTRUCTIONS ALONG WITH THE INSTRUCTIONS FOR ANY ATTACHMENTS – Read and understand these instructions and the instructions for the your attachments thoroughly before using this power head and any attachment.

SYMBOLS

The following signal words and meanings are intended to explain the levels of risk associated with this product.

SYMBOL	SIGNAL	MEANING
	DANGER:	Indicates a hazardous situation, which, if not avoided, will result in death or serious injury.
	WARNING:	Indicates a hazardous situation, which, if not avoided, could result in death or serious injury.
	CAUTION:	Indicates a hazardous situation, that, if not avoided, may result in minor or moderate injury.
	NOTICE:	(Without Safety Alert Symbol) Indicates information considered important, but not related to a potential injury (e.g. messages relating to property damage).

Some of the following symbols may be used on this product. Please study them and learn their meaning. Proper interpretation of these symbols will allow you to operate the product better and safer.

SYMBOL	NAME	DESIGNATION/EXPLANATION
	Safety Alert	Indicates a potential personal injury hazard.
	Read Operator's Manual	To reduce the risk of injury, user must read and understand operator's manual before using this product.
	Eye and Hearing Protection	Always wear eye protection with side shields marked to comply with ANSI Z87.1 along with hearing protection when operating this equipment.
	Wet Conditions Alert	Risk of fire and burns. Do not expose to rain. Do not expose battery, battery compartment, or electronic components to rain, water, or liquids. Do not operate on wet ground.
	Keep Bystanders Away	Keep all bystanders at least 50 ft. away.
	Ricochet	Thrown objects can ricochet and result in personal injury or property damage.
	Disconnect battery before maintenance	To reduce the risk of injury, user must remove the battery prior to performing service or maintenance on the product.
	Recycle Symbol	This product uses lithium-ion (Li-ion) batteries. Local, state, or federal laws may prohibit disposal of batteries in ordinary trash. Consult your local waste authority for information regarding available recycling and/or disposal options.
	Direct Current	Type or a characteristic of current
n_0	No Load Speed	Rotational speed, at no load
.../min	Per Minute	Revolutions, strokes, surface speed, orbits etc., per minute
V	Volts	Voltage
Hz	Hertz	Frequency (cycles per second)
min	Minutes	Time

FEATURES

KNOW YOUR POWER HEAD

See Figure 1.

The safe use of this product requires an understanding of the information on the tool and in this operator's manual as well as a knowledge of the project you are attempting. Before use of this product, familiarize yourself with all operating features and safety rules.

HANDLE OVERMOLD

Handle overmold provides added user comfort.

SPEED SWITCH

This tool has a speed selector that allows the operator to choose between HI and LOW speeds. Using low speed during operation can help extend battery run time, while using high speed will improve power and performance.

TRIGGER LOCK-OUT

The trigger lock-out prevents accidental starting.

VARIABLE SPEED SWITCH TRIGGER

This tool has a variable speed switch that delivers higher speed with increased trigger pressure. Speed is controlled by the amount of switch trigger depression.

ASSEMBLY

UNPACKING

This product requires assembly.

- Carefully remove the product and any accessories from the box. Make sure that all items listed in the **Packing List** are included.

WARNING:

Do not use this product if any parts on the **Packing List** are already assembled to your product when you unpack it. Parts on this list are not assembled to the product by the manufacturer and require customer installation. Use of a product that may have been improperly assembled could result in serious personal injury.

- Inspect the product carefully to make sure no breakage or damage occurred during shipping.
- Do not discard the packing material until you have carefully inspected and satisfactorily operated the product.
- If any parts are damaged or missing, please call 1-800-525-2579 for assistance.

PACKING LIST

Power Head
Front Handle
Operator's Manual

WARNING:

If any parts are damaged or missing do not operate this product until the parts are replaced. Use of this product with damaged or missing parts could result in serious personal injury.

WARNING:

Do not attempt to modify this product or create accessories not recommended for use with this product. Any such alteration or modification is misuse and could result in a hazardous condition leading to possible serious personal injury.

WARNING:

To prevent accidental starting that could cause serious personal injury, always remove the battery pack from the product when assembling parts.

INSTALLING AN ATTACHMENT TO THE POWER HEAD

See Figure 2.

WARNING:

Read and understand entire Operator's Manual for each optional attachment used on this power head and follow all warnings and instructions. Failure to follow all instructions could result in electric shock, fire and/or serious personal injury.

WARNING:

This 18V power head is designed to be used only with the attachment models that are specified in this Operator's Manual. It is not designed to be used with brush cutters or other attachment models. Use of other attachments could cause serious personal injuries or property damage.

ASSEMBLY

WARNING:

Never install, remove, or adjust any attachment while power head is running. Failure to stop the motor can cause serious personal injury. Never operate power head without an attachment.

This 18V power head may be used with only the following RYOBI EXPAND-IT attachments:

- RYBRC Brush Cutter
- RYHDG Hedge Trimmers
- RYGUT Gutter Blower
- RY15518, RYEDG11, RYEDG12 and RYEDG Edgers
- RYAXA22 Blower
- RY15523, RY15523A, RY15526, RY15527 and RYSST44 Straight Shaft String Trimmers
- RY15550, RYTIL66 and RYTIL Cultivators
- RY15520, RYPRN33 and RYPRN Pruners
- RYSNW00 Snow Thrower
- RYSWP25, RYSWP and RYSWPRUB Sweepers

The attachment connects to the power head by means of a coupler device.

- Stop the motor and remove the battery pack.
- Loosen the knob on the coupler of the power head shaft and remove the end cap from the attachment.
- Push in the button located on the attachment shaft. Align the button with the guide recess on the power head coupler and slide the two shafts together. Rotate the attachment shaft until the button locks into the positioning hole.

NOTE: If the button does not release completely in the positioning hole, the shafts are not locked into place. Slightly rotate from side to side until the button is locked into place.

- Tighten the knob securely.

WARNING:

Be certain the knob is fully tightened before operating equipment; check it periodically for tightness during use to avoid serious personal injury.

REMOVING THE ATTACHMENT FROM THE POWER HEAD

- Stop the motor and remove the battery pack.
- Loosen the knob.
- Push in the button and twist the shafts to remove and separate ends.

ATTACHING THE FRONT HANDLE

See *Figure 3*.

- Remove wing nut and bolt from the front handle.
- Install the front handle bracket at the arrow as indicated by the label on the upper shaft.
- Place the bolt through the front handle.
NOTE: The hex bolt head fits inside the hex recess molded into one side of the handle.
- Reinstall the wing nut.
- Tighten wing nut securely.

OPERATION

WARNING:

Read and understand entire Operator's Manual for each optional attachment used on this power head and follow all warnings and instructions. Failure to follow all instructions could result in electric shock, fire and/or serious personal injury.

WARNING:

Do not allow familiarity with products to make you careless. Remember that a careless fraction of a second is sufficient to inflict serious injury.

WARNING:

Always wear eye protection with side shields marked to comply with ANSI Z87.1. Hearing and/or head protection may also be required depending on the type of attachment used and as prescribed in the attachment's Operator's Manual. Failure to do so could result in objects being thrown into your eyes and other possible serious injuries.

WARNING:

Do not use any attachments or accessories not recommended by the manufacturer of this product. The use of attachments or accessories not recommended can result in serious personal injury.

OPERATION

WARNING:

Never use flailing devices, wire, or rope on this product. Do not use any attachments or accessories not recommended by the manufacturer of this product. The use of attachments or accessories not recommended can result in serious personal injury.

NOTICE:

Before each use, inspect the entire product for damaged, missing, or loose parts such as screws, nuts, bolts, caps, etc. Tighten securely all fasteners and caps and do not operate this product until all missing or damaged parts are replaced. Please contact customer service or an authorized service center for assistance.

INSTALLING/REMOVING BATTERY PACK

See Figure 4.

WARNING:

Always remove battery pack from your tool when you are assembling parts, making adjustments, cleaning, or when not in use. Removing battery pack will prevent accidental starting that could cause serious personal injury.

To install battery pack:

- Insert the battery pack into the product as shown.
- Make sure the latches on each side of the battery pack snap into place and that battery pack is secured in the product before beginning operation.

WARNING:

Make sure the latches on the battery pack snap in place and the battery pack is fully seated and secure in the battery port before beginning operation. Failure to securely seat the battery pack could cause the battery pack to fall out, resulting in serious personal injury.

To remove battery pack:

- Depress the latches on each side of the battery pack.
- Remove battery pack from the product.

For complete charging instructions, refer to the Operator's Manuals for your RYOBI battery pack and charger models.

WARNING:

To avoid serious personal injury, always remove the battery pack and keep hands clear of the trigger lock-out when carrying or transporting the tool.

STARTING/STOPPING THE POWER HEAD

See Figures 5.

To start:

- Select the desired operating speed (HI or LOW).
- Move the lock-out into the slot in the switch trigger.
- Depress the switch trigger.

To stop:

- Release the switch trigger to stop the power head.
- Once the switch trigger is released, the lock-out will fully reset to the locked position.

OPERATING THE POWER HEAD

See Figures 6 - 7.

Hold the power head with your right hand on the rear handle and your left hand on the front handle. Keep a firm grip with both hands while in operation. Power head should be held at a comfortable position with the rear handle about hip height.

NOTE: The most common operating positions are shown in the figures referenced. For the operating position for your specific attachment, always refer to the operator's manual that came with the attachment.

Always operate power head with switch trigger completely depressed. If debris becomes wrapped around the attachment, STOP THE MOTOR, remove the battery pack, and remove the debris.

WARNING:

Always hold the power head away from the body keeping clearance between the body and the tool. Any contact with an attachment cutting head can result in burns and/or other serious personal injury.

WARNING:

Read the safety information for safe operation when using an attachment and refer to the safety rules and instructions in your attachment manual. Improper operation of a blade or any attachment could result in serious injury.

MAINTENANCE

WARNING:

To avoid serious personal injury, always remove the battery pack from the tool when cleaning or performing any maintenance.

WARNING:

Always wear eye protection with side shields marked to comply with ANSI Z87.1. Hearing and/or head protection may also be required depending on the type of attachment used and as prescribed in the attachment's Operator's Manual. Failure to do so could result in objects being thrown into your eyes and other possible serious injuries.

WARNING:

When servicing, use only identical replacement parts. Use of any other parts can create a hazard or cause product damage.

WARNING:

Never use water or any liquids to clean or rinse off your product and do not expose the product to rain or wet conditions. Store indoors in a dry area. Corrosive liquids, water, and chemicals can enter the product's electronic components and/or battery compartment and damage electronic components and/or the battery pack, which can result in a short circuit, increased risk of fire, and serious personal injury. Remove any buildup of dirt and debris by wiping the product clean with a dry cloth occasionally.

NOTICE:

Periodically inspect the entire product for damaged, missing, or loose parts such as screws, nuts, bolts, caps, etc. Tighten securely all fasteners and caps and do not operate this product until all missing or damaged parts are replaced. Please contact customer service or an authorized service center for assistance.

GENERAL MAINTENANCE

Avoid using solvents when cleaning plastic parts. Most plastics are susceptible to damage from various types of commercial solvents and may be damaged by their use. Use clean cloths to remove dirt, dust, oil, grease, etc.

WARNING:

Do not at any time let brake fluids, gasoline, petroleum-based products, penetrating oils, etc., come in contact with plastic parts. Chemicals can damage, weaken or destroy plastic which can result in serious personal injury.

CLEANING THE POWER HEAD

- Stop the motor and remove the battery pack.
- Clean dirt and debris from the power head using a dry cloth.

NOTICE:

Do not use any strong detergents on the plastic housing or the handle. They can be damaged by certain aromatic oils such as pine and lemon, and by solvents such as kerosene.

STORING THE POWER HEAD

- Remove the battery pack from the power head before storing.
- Clean all foreign material from the power head.
- Store it in a place that is inaccessible to children.
- Keep away from corrosive agents such as garden chemicals and de-icing salts.
- The key hole hanger and the RYOBI LINK System are located on the bottom of the unit and can be used for hanging purposes.

To use with LINK modular storage system:

- The unit is compatible with the RYOBI LINK System. Use only on the LINK wall rail.

TROUBLESHOOTING

PROBLEM	POSSIBLE CAUSE	SOLUTION
Motor fails to start when switch trigger is depressed.	Battery is not secure.	To secure the battery pack, make sure the latch on the bottom of the battery pack is snapped into place.
	Battery is not charged.	Charge the battery pack according to the instructions included with your model.

This product has a Three-year Limited Warranty for personal, family, or household use (90 days for business or commercial use). For warranty details, visit www.ryobitools.com or call (toll free) 1-800-525-2579.

INSTRUCTIONS IMPORTANTES CONCERNANT LA SÉCURITÉ

AVERTISSEMENT !

Lire les avertissements de sécurité, les instructions et les précisions et consulter les illustrations fournis avec cet outil électrique. Le fait de ne pas se conformer à l'ensemble des consignes présentées ci-dessous risque d'entraîner des décharges électriques, un incendie et/ou des blessures graves.

Conserver les avertissements et les instructions à des fins de référence ultérieure. Le terme « outil motorisé », utilisé dans tous les avertissements ci-dessous désigne tout outil fonctionnant sur secteur (câblé) ou sur piles (sans fil).

SÉCURITÉ DU LIEU DE TRAVAIL

- **Garder le lieu de travail propre et bien éclairé.** Les endroits encombrés ou sombres sont propices aux accidents.
- **Ne pas utiliser d'outils électriques dans des atmosphères explosives, par exemple en présence de liquides, gaz ou poussières inflammables.** Les outils électriques produisent des étincelles risquant d'enflammer les poussières ou vapeurs.
- **Garder les enfants et badauds à l'écart pendant l'utilisation d'un outil électrique.** Les distractions peuvent causer une perte de contrôle.

SÉCURITÉ ÉLECTRIQUE

- **Les fiches des outils électriques doivent correspondre à la prise secteur utilisée. Ne jamais modifier la fiche, de quelque façon que ce soit. Ne jamais utiliser d'adaptateurs de fiche avec des outils mis à la terre.** Les fiches et prises non modifiées réduisent le risque de choc électrique.
- **Éviter tout contact du corps avec des surfaces mises à la terre, telles que tuyaux, radiateurs, cuisinières et réfrigérateurs.** Le risque de choc électrique est accru lorsque le corps est mis à la terre.
- **Ne pas exposer les outils électriques à l'eau ou l'humidité.** La pénétration d'eau dans ces outils accroît le risque de choc électrique.
- **Ne pas maltraiter le cordon d'alimentation. Ne jamais utiliser le cordon d'alimentation pour transporter l'outil et ne jamais débrancher ce dernier en tirant sur le cordon. Garder le cordon à l'écart de la chaleur, de l'huile, des objets tranchants et des pièces en mouvement.** Un cordon endommagé ou emmêlé accroît le risque de choc électrique.
- **Pour les travaux à l'extérieur, utiliser un cordon spécialement conçu à cet effet.** Utiliser un cordon conçu pour l'usage extérieur pour réduire les risques de choc électrique.

- **S'il est nécessaire d'utiliser l'outil électrique dans un endroit humide, employer un dispositif interrupteur de défaut à la terre (GFCI).** L'utilisation d'un GFCI réduit le risque de décharge électrique.

SÉCURITÉ PERSONNELLE

- **Rester attentif, prêter attention au travail et faire preuve de bon sens lors de l'utilisation de tout outil électrique. Ne pas utiliser cet outil en état de fatigue ou sous l'influence de l'alcool, de drogues ou de médicaments.** Un moment d'inattention pendant l'utilisation d'un outil électrique peut entraîner des blessures graves.
- **Utiliser l'équipement de sécurité. Toujours porter une protection oculaire.** L'équipement de sécurité, tel qu'un masque filtrant, de chaussures de sécurité, d'un casque ou d'une protection auditive, utilisé dans des conditions appropriées réduira le risque de blessures.
- **Éviter les démarrages accidentels. S'assurer que le commutateur est en position d'arrêt avant de brancher l'outil.** Porter un outil avec le doigt sur son commutateur ou brancher un outil dont le commutateur est en position de marche peut causer un accident.
- **Retirer les clés de réglage avant de mettre l'outil en marche.** Une clé laissée sur une pièce rotative de l'outil peut causer des blessures.
- **Ne pas travailler hors de portée. Toujours se tenir bien campé et en équilibre.** Ceci permettra de mieux contrôler l'outil en cas de situation imprévue.
- **Porter une tenue appropriée. Ne porter ni vêtements amples, ni bijoux. Garder les cheveux, les vêtements et les gants à l'écart des pièces en mouvement.** Les vêtements amples, bijoux et cheveux longs peuvent se prendre dans les pièces en mouvement.

UTILISATION ET ENTRETIEN DES OUTILS ÉLECTRIQUES

- **Ne pas forcer l'outil. Utiliser l'outil approprié pour l'application.** Un outil approprié exécutera le travail mieux et de façon moins dangereuse s'il est utilisé dans les limites prévues.
- **Ne pas utiliser l'outil si le commutateur ne permet pas de le mettre en marche ou de l'arrêter.** Tout outil qui ne peut pas être contrôlé par son commutateur est dangereux et doit être réparé.
- **Débrancher l'outil et/ou retirer le bloc-piles avant d'effectuer des réglages, de changer d'accessoire ou de remiser l'outil.** Ces mesures de sécurité préventives réduisent les risques de démarrage accidentel de l'outil.
- **Ranger les outils motorisés hors de la portée des enfants et ne laisser personne n'étant pas familiarisé avec l'outil ou ces instructions utiliser l'outil.** Dans les mains de personnes n'ayant pas reçu des instructions adéquates, les outils sont dangereux.

INSTRUCTIONS IMPORTANTES CONCERNANT LA SÉCURITÉ

- **Entretien des outils électriques et les accessoires.** Vérifier qu'aucune pièce mobile n'est mal alignée ou bloquée, qu'aucune pièce n'est brisée et s'assurer qu'aucun autre problème ne risque d'affecter le bon fonctionnement de l'outil. En cas de dommages faire réparer l'outil avant de l'utiliser de nouveau. Beaucoup d'accidents sont causés par des outils mal entretenus.
- **Garder les outils bien affûtés et propres.** Des outils correctement entretenus et dont les tranchants sont bien affûtés risquent moins de se bloquer et sont plus faciles à contrôler.
- **Utiliser l'outil, les accessoires et embouts, etc. conformément à ces instructions pour les applications pour lesquelles ils sont conçus, en tenant compte des conditions et du type de travail à exécuter.** L'usage d'un outil motorisé pour des applications pour lesquelles il n'est pas conçu peut être dangereux.
- **Gardez les poignées et les surfaces de prise sèches, propres et exemptes d'huile et de graisse.** Des poignées et des surfaces de prise glissantes empêchent la manipulation et le contrôle sécuritaires de l'outil dans des circonstances imprévues.
- **Ne pas utiliser un bloc-piles ou un outil endommagé ou modifié.** Le bris ou la modification du bloc-piles peut causer un comportement imprévisible et causer un incendie, une explosion ou des blessures.
- **Ne pas exposer le bloc-piles ou l'outil au feu ou à des températures excessives.** Une exposition au feu ou à une température supérieure à 130 °C (265 °F) peut provoquer une explosion.
- Utiliser ce produit seulement avec la piles et le chargeurs indiqués dans le supplément de raccordement pour chargeur/outils/piles/appareil n° 987000-432. Consulter le(s) manuel(s) de chaque accessoire pour connaître toute limitation.
- **Suivre toutes les instructions afférentes à la recharge et ne pas recharger le bloc-piles ou l'appareil hors des températures spécifiées dans les instructions.** Une recharge incorrecte ou hors des températures spécifiées peut endommager la pile et augmenter les risques de feu.

UTILISATION ET ENTRETIEN DE LA PILE

- **Ne recharger qu'avec l'appareil spécifié par le fabricant.** Un chargeur approprié pour un type de pile peut créer un risque d'incendie s'il est utilisé avec un autre type de pile.
- **Utiliser exclusivement le bloc-pile spécifiquement indiqué pour l'outil.** L'usage de tout autre bloc peut créer un risque de blessures et d'incendie.
- **Lorsque le bloc-piles n'est pas en usage, le garder à l'écart d'articles tels qu'attaches trombones, pièces de monnaie, clous, vis ou autres petits objets métalliques risquant d'établir le contact entre les deux bornes.** La mise en court-circuit des bornes de piles peut causer des étincelles, des brûlures ou un incendie.
- **En cas d'usage abusif, du liquide peut s'échapper des piles. Éviter tout contact avec ce liquide. En cas de contact accidentel, rincer immédiatement les parties atteintes avec de l'eau. En cas d'éclaboussure dans les yeux consulter un médecin.** Le liquide s'échappant des piles peut causer des irritations ou des brûlures.

DÉPANNAGE

- **Les réparations doivent être confiées à un technicien qualifié, utilisant exclusivement des pièces identiques à celles d'origine.** Ceci assurera le maintien de la sécurité de l'outil.
- **Ne jamais réparer les blocs-PILES endommagés.** L'entretien des blocs-PILES ne doit être effectué que par le fabricant ou des prestataires de services agréés.
- **Utiliser exclusivement des pièces identiques à celles d'origine pour les réparations. Se conformer aux instructions de la section Entretien de ce manuel.** L'usage de pièces non autorisées ou le non-respect des instructions peut présenter des risques de choc électrique ou de blessures.




UTILISATION D'UN ACCESSOIRE DE DÉBROUSSAILLEUSE

- Lors de l'utilisation d'un accessoire de débroussailleuse, suivre les instructions du fabricant pour l'installation de la poignée et du harnais de sécurité.
- Ne pas utiliser cette tête électrique avec les piles de 18 V RYOBI indiquées dans le manuel d'utilisation de la débroussailleuse.










CONSERVER CES INSTRUCTIONS AVEC LES INSTRUCTIONS POUR TOUT ACCESSOIRE – Rien lire et comprendre ces instructions et celles des accessoires avant d'utiliser cette tête électrique et tout accessoire.

SYMBOLES

Les termes de mise en garde suivants et leur signification ont pour but d'expliquer le degré de risques associé à l'utilisation de ce produit.

SYMBOLE	SIGNAL	SIGNIFICATION
	DANGER:	Indique une situation dangereuse qui, si elle n'est pas évitée, aura pour conséquences des blessures graves ou mortelles.
	AVERTISSEMENT :	Indique une situation dangereuse qui, si elle n'est pas évitée, pourrait entraîner des blessures graves ou mortelles.
	ATTENTION :	Indique une situation dangereuse qui, si elle n'est pas évitée, pourrait entraîner des blessures légères ou de gravité modérée.
	AVIS :	(Sans symbole d'alerte de sécurité) Indique les informations jugées importantes sans toutefois représenter un risque de blessure (ex. : messages concernant les dommages matériels).

Certains des symboles ci-dessous peuvent être utilisés sur produit. Veiller à les étudier et à apprendre leur signification. Une interprétation correcte de ces symboles permettra d'utiliser produit plus efficacement et de réduire les risques.

SYMBOLE	NOM	DÉSIGNATION / EXPLICATION
	Symbole d'alerte de sécurité	Indique un risque de blessure potentiel.
	Lire manuel d'utilisation	Pour réduire les risques de blessures, l'utilisateur doit lire et veiller à bien comprendre le manuel d'utilisation avant d'utiliser ce produit.
	Protection oculaire et auditive	Toujours porter une protection oculaire avec écrans latéraux certifiée conforme à la norme ANSI Z87.1 ainsi qu'une protection auditive.
	Avertissement concernant l'humidité	Risque d'incendie et de brûlures. Ne pas exposer à la pluie. Ne pas exposer la pile, le compartiment de la pile, ou les composants électroniques à la pluie, l'eau ou d'autres liquides. Ne pas opérer sur un sol humide.
	Ne laisser personne s'approcher	Garder les badauds à une distance de 15 m (50 pi) minimum.
	Danger de ricochet	Ne pas utiliser le coupe-bourdures sans le protecteur. Rester éloigné de la tête de coupe rotative.
	Débrancher la pile avant l'entretien	Pour réduire les risques de blessures, l'utilisateur doit enlever la pile avant d'effectuer une réparation ou un entretien du produit.
	Symbole de recyclage	Ce produit utilise les piles de lithium-ion (Li-ion). Les réglementations locales ou gouvernementales peuvent interdire de jeter les piles dans les ordures ménagères. Consulter les autorités locales compétentes pour les options de recyclage et/ou l'élimination.
	Courant continu	Type ou caractéristique du courant
n_0	Vitesse à vide	Vitesse de rotation à vide
.../min	Par minute	Tours, coups, vitesse périphérique, orbites, etc., par minute
V	Volts	Tension
Hz	Hertz	Fréquence (cycles par seconde)
min	Minutes	Temps

CARACTÉRISTIQUES

VEILLER À BIEN CONNAÎTRE LA BLOC MOTEUR

Voir la figure 1.

L'utilisation sûre de ce produit exige une compréhension des renseignements figurant sur l'produit et contenus dans le manuel d'utilisation, ainsi qu'une bonne connaissance du projet entrepris. Avant d'utiliser ce produit, se familiariser avec toutes ses caractéristiques et règles de sécurité.

SURMOULAGE POIGNÉE

Le surmoulage poignée procure un confort d'utilisation plus grand.

INTERRUPTEUR DE VITESSE

Cet outil est équipé d'un sélecteur de vitesse permettant à l'opérateur de choisir entre une vitesse élevée ou basse. Une vitesse basse lors de l'opération peut aider à prolonger la durée de vie de la pile alors que la vitesse élevée améliorera la puissance et la performance.

GÂCHETTE AVEC VERROU

Le gâchette avec verrou prévient les démarrages accidentels.

GÂCHETTE DE COMMANDE DE VITESSE VARIABLE

Cet outil est doté d'une gâchette de commande de vitesse sensible à la pression. La vitesse est contrôlée par la pression exercée sur la gâchette.

ASSEMBLAGE

DÉBALLAGE

Ce produit nécessite un assemblage.

- Avec précaution, sortir l'produit et les accessoires de la boîte. S'assurer que toutes les pièces figurant sur la **Liste de contrôle d'expédition** sont incluses.

AVERTISSEMENT :

Ne pas utiliser le produit si, en le déballant, vous constatez que des éléments figurant dans la **Liste de contrôle d'expédition** sont déjà assemblés. Certaines pièces figurant sur cette liste n'ont pas été assemblées par le fabricant et exigent une installation. Le fait d'utiliser un produit qui a été assemblé de façon inadéquate peut entraîner des blessures.

- Examiner soigneusement l'produit pour s'assurer que rien n'a été brisé ou endommagé en cours de transport.
- Ne pas jeter les matériaux d'emballage avant d'avoir soigneusement examiné l'produit et avoir vérifié qu'il fonctionne correctement.
- Si des pièces manquent ou sont endommagées, appeler le 1-800-525-2579.

LISTE DE CONTRÔLE D'EXPÉDITION

Bloc moteur

Poignée avant

Manuel d'utilisation

AVERTISSEMENT :

Si des pièces manquent ou sont endommagées, ne pas utiliser cet produit avant qu'elles aient été remplacées. Le non-respect de cet avertissement pourrait entraîner des blessures graves.

AVERTISSEMENT :

Ne pas essayer de modifier cet produit ou de créer des accessoires non recommandés pour l'produit. De telles altérations ou modifications sont considérées comme un usage abusif et peuvent créer des conditions dangereuses, risquant d'entraîner des blessures graves.

AVERTISSEMENT :

Toujours retirer le bloc-piles du produit ou le débrancher de l'alimentation électrique lors de l'assemblage des pièces pour prévenir le démarrage accidentel pouvant causer des blessures graves.

INSTALLATION DE L'ACCESSOIRE DU BLOC MOTEUR

Voir la figure 2.

AVERTISSEMENT :

Lire et veiller à bien comprendre tout le manuel d'utilisation de chaque accessoire facultatif employé avec l'ensemble moteur et respecter tous les avertissements et toutes les instructions. Le non-respect de l'ensemble des instructions peut entraîner une décharge électrique, un incendie et des blessures graves.

ASSEMBLAGE

AVERTISSEMENT :

Cet ensemble moteur de 18 V est conçu pour être utilisé uniquement avec des modèles d'accessoires qui sont mentionnés dans le présent manuel d'utilisation. Il n'est pas compatible avec des débroussailleuses ou d'autres modèles d'accessoires. Le fait d'utiliser d'autres accessoires peut entraîner des blessures graves ou des dommages matériels.

AVERTISSEMENT :

Ne jamais installer, retrait ou ajuster un accessoire lorsque le moteur tourne. Ceci pourrait causer des blessures graves. Ne jamais faire fonctionner le bloc moteur si aucun accessoire n'y est fixé.

Cet ensemble moteur de 18 V ne peut être utilisé qu'avec les accessoires EXPAND-IT RYOBI suivants :

- Débroussailleuse – RYBRC
- Taille-haie – RYHDG
- Souffleuse à gouttière – RYGUT
- Coupe-bordures – RY15518, RYEDG11, RYEDG12 et RYEDG
- Soufflantes – RYAXA22
- Taille-bordures à arbre droit – RY15523, RY15523A, RY15526, RY15527 et RYSST44
- Cultivateurs – RY15550, RYTIL66 et RYTIL
- Élagueuse – RY15520, RYPRN33 et RYPRN
- Souffleuse à neige – RYSNW00
- Balai – RYSWP25, RYSWP et RYSWPRUB

L'accessoire se raccorde au bloc-moteur à l'aide d'un dispositif de couplage.

- Arrêter le moteur et retirer le bloc-piles.

- Desserrer le bouton du coupleur et retirer le capuchon d'extrémité de l'accessoire.

- Appuyer sur le bouton se trouvant sur l'arbre de l'accessoire. Aligner le bouton sur la rainure guide du bloc moteur et emboîter les deux arbres. Tourner l'arbre de l'accessoire jusqu'à ce que le bouton s'enclenche dans le trou de positionnement.

NOTE : Si le bouton ne s'engage pas complètement dans le trou de positionnement, les tubes ne sont pas solidement maintenus l'un dans l'autre. Tourner légèrement les tubes dans les deux sens jusqu'à ce que le bouton s'engage complètement.

- Serrer le bouton fermement.

AVERTISSEMENT :

S'assurer que le bouton est bien serré avant d'utiliser l'outil et le vérifier de temps à autre pour éviter le risque de blessures graves.

RETRAIT DE L'ACCESSOIRE DU BLOC MOTEUR

- Arrêter le moteur et débrancher le fil de la bougie.
- Desserrer le bouton.
- Enfoncer le bouton et tourner les tubes pour les séparer.

INSTALLATION DE LA POIGNÉE AVANT

Voir la figure 3.

- Retirer l'écrou à oreilles et le boulon de la poignée avant.
- Installez le support de la poignée avant à l'endroit indiqué par la flèche sur l'étiquette de l'arbre supérieur.
- Insérer le boulon dans les trous de la poignée avant.

NOTE : La tête du boulon s'adapte dans le logement moulé d'un côté de la poignée.

- Réinstaller l'écrou à oreilles.
- Serrer fermement l'écrou papillon.

UTILISATION

AVERTISSEMENT :

Lire et veiller à bien comprendre tout le manuel d'utilisation de chaque accessoire facultatif employé avec l'ensemble moteur et respecter tous les avertissements et toutes les instructions. Le non-respect de l'ensemble des instructions peut entraîner une décharge électrique, un incendie et des blessures graves.

AVERTISSEMENT :

Ne pas laisser la familiarité avec l'produit faire oublier la prudence. Ne pas oublier qu'une fraction de seconde d'inattention peut entraîner des blessures graves.

UTILISATION

AVERTISSEMENT :

Toujours porter une protection oculaire avec écrans latéraux certifiée conforme à la norme ANSI Z87.1 protection auditive. Selon le type d'accessoire utilisé et comme il est indiqué dans le manuel d'utilisation de l'accessoire en question, un casque de protection et un protection auditive peut être nécessaire. Si cette précaution n'est pas prise, des objets peuvent être projetés dans les yeux et d'autres lésions graves.

AVERTISSEMENT :

Ne pas utiliser d'outils ou accessoires non recommandés pour cet outil. L'utilisation de pièces et accessoires non recommandés peut entraîner des blessures graves.

AVERTISSEMENT :

Ne jamais utiliser de dispositifs à agitation, un fil ou une corde avec ce produit. Ne pas utiliser d'accessoires non recommandés par le fabricant de ce produit. L'utilisation d'accessoires non recommandés peut entraîner des blessures graves.

AVIS :

Avant chaque utilisation, inspecter au complet le produit afin de s'assurer qu'aucune pièce (vis, écrous, boulons, chapeaux, etc.) n'est endommagée, manquante ou desserrée. Serrer solidement toutes les pièces de fixation et les chapeaux et ne pas utiliser le produit tant que toutes les pièces manquantes ou endommagées n'ont pas été remplacées. Pour obtenir de l'aide, communiquer avec le service à la clientèle ou un centre de réparations autorisé.

INSTALLATION / RETRAIT DU BLOC-PILES

Voir la figure 4.

AVERTISSEMENT :

Toujours retirer la pile de l'outil au moment d'assembler des pièces, d'effectuer des réglages et de procéder au nettoyage, ou lorsque l'outil n'est pas utilisé. Le fait de retirer la pile permet d'empêcher un démarrage accidentel pouvant entraîner des blessures graves.

Installer le bloc-piles :

- Insérer le piles dans le produit comme il est indiqué.
- S'assurer que les loquets de chaque côté de la pile s'enclenchent en place et que la pile est bien fixée à l'outil avant de mettre l'outil en marche.

AVERTISSEMENT :

S'assurer que les loquets du bloc-piles son bien enclenchés et que le bloc-piles est installé et fixé correctement avant de commencer le travail. Ne pas installer et fixer correctement le bloc-piles peut provoquer la chute de ce dernier et occasionner des blessures graves.

Retirer le bloc-piles :

- Appuyer sur les loquets de chaque côté du piles.
- Retirez le bloc-piles du produit.

Pour prendre connaissance de l'ensemble des instructions relatives à la charge, consulter les manuels d'utilisation des batteries de RYOBI et des modèles de chargeur connexes.

AVERTISSEMENT :

Pour éviter des blessures graves, toujours retirer le bloc-piles et tenir à distance de mains le gâchette avec verrou en portant l'outil.

MISE EN MARCHÉ ET ARRÊT DU BLOC MOTEUR

Voir les figures 5.

Pour démarrer :

- Choisir la vitesse de fonctionnement désirée (ÉLEVÉE ou BASSE [HI ou LOW]).
- Déplacer la gâchette avec verrou dans la fente située dans la gâchette.
- Appuyer sur la gâchette.

Pour arrancar :

- Pour arrêter le bloc moteur, relâcher la gâchette.
- Une fois la gâchette de commutateur relâchée, le verrouillage se réinitialise complètement en position verrouillée.

UTILISATION DU BLOC MOTEUR

Voir les figures 6 et 7.

Tenir le bloc moteur avec la main droite sur la poignée arrière et la main gauche sur la poignée avant. Garder une prise ferme sur les deux poignées pendant le fonctionnement. Le bloc-moteur doit être tenu dans une position confortable, la poignée arrière se trouvant à peu près à hauteur de la taille.

NOTE : Les positions de fonctionnement les plus courantes sont indiquées dans les figures. Pour connaître la position de fonctionnement pour votre accessoire spécifique, toujours se référer au manuel d'utilisation inclus avec votre accessoire.

Toujours faire fonctionner le bloc moteur à pleine puissance. Si des débris s'enroulent autour de l'accessoire, ARRÊTER LE MOTEUR, retirer le bloc-piles et retirer les débris.

UTILISATION

AVERTISSEMENT :

Toujours tenir bloc moteur à l'écart de soi en maintenant une distance de sécurité entre le corps et l'équipement. Tout contact avec la tête de coupe de l'accessoire peut causer des brûlures et / ou d'autres blessures graves.

AVERTISSEMENT :

Lire les informations relatives à la sécurité lors de l'utilisation d'un accessoire et consulter les règles et instructions de sécurité figurant dans le manuel de l'accessoire. L'utilisation incorrecte d'une lame ou d'un accessoire peut entraîner des blessures graves.

ENTRETIEN

AVERTISSEMENT :

Pour empêcher un démarrage accidentel pouvant entraîner des blessures graves, toujours retirer le bloc de batterie de l'outil avant tout nettoyage ou entretien.

AVERTISSEMENT :

Toujours porter une protection oculaire avec écrans latéraux certifiée conforme à la norme ANSI Z87.1 protection auditive. Selon le type d'accessoire utilisé et comme il est indiqué dans le manuel d'utilisation de l'accessoire en question, un casque de protection et un protection auditive peut être nécessaire. Si cette précaution n'est pas prise, des objets peuvent être projetés dans les yeux et d'autres lésions graves.

AVERTISSEMENT :

Utiliser exclusivement des pièces d'origine pour les réparations. L'usage de toute autre pièce pourrait créer une situation dangereuse ou endommager l'produit.

AVERTISSEMENT :

Ne jamais utiliser de l'eau ou une autre liquide pour nettoyer ou rincer la produit et n'exposez pas à la pluie ou conditions l'humidité. La remettre à l'intérieur dans un endroit sec. Les liquides corrosifs, l'eau et les produits chimiques peuvent s'infiltrer dans le composants électroniques et/ou le compartiment de la pile et endommager les composants électroniques et/ou le bloc-pile, ce qui peut entraîner un court-circuit, augmenter le risque d'incendie ou des blessures corporelles graves. Enlever toute accumulation de la saleté et les débris sur la produit de temps en temps avec un linge sec.

AVIS :

Inspecter périodiquement au complet le produit afin de s'assurer qu'aucune pièce (vis, écrous, boulons, chapeaux, etc.) n'est endommagée, manquante ou desserrée. Serrer solidement toutes les pièces de fixation et les chapeaux et ne pas utiliser le produit tant que toutes les pièces manquantes ou endommagées n'ont pas été remplacées. Pour obtenir de l'aide, communiquer avec le service à la clientèle ou un centre de réparations autorisé.

ENTRETIEN GÉNÉRAL

Éviter d'utiliser des solvants pour le nettoyage des pièces en plastique. La plupart des matières plastiques peuvent être endommagées par divers types de solvants du commerce. Utiliser un chiffon propre pour éliminer la saleté, la poussière, l'huile, la graisse, etc.

AVERTISSEMENT :

Ne jamais laisser de liquides tels que le fluide de freins, l'essence, les produits à base de pétrole, les huiles pénétrantes, etc., entrer en contact avec les pièces en plastique. Les produits chimiques peuvent endommager, affaiblir ou détruire le plastique, ce qui peut entraîner des blessures graves.

NETTOYAGE DU BLOC MOTEUR

- Arrêtez le moteur et retirer le bloc-piles.
- Nettoyer la saleté et les débris de la tête électrique à l'aide d'un chiffon sec.

AVIS :

Ne pas utiliser de détergents puissants sur le boîtier en plastique ou la poignée. Ces pièces peuvent être endommagées par certaines huiles aromatiques telles que les huiles de pin et de citron et les solvants tels que le kérosène.

ENTRETIEN

REMISAGE DU BLOC MOTEUR

- Retirer la pile du bloc moteur avant de le ranger.
- Nettoyer soigneusement le bloc moteur.
- La remiser dans un endroit inaccessible aux enfants.
- Le tenir à l'écart de produits corrosifs, tels que les produits chimiques de jardinage et le sel de dégivrage.

- Le crochet à trou de serrure et le système RYOBI LINK sont situés sur la partie inférieure de l'appareil et peuvent être utilisés pour la suspension.

À utiliser avec le système de stockage modulaire LINK :

- L'unité est compatible avec le système RYOBI LINK. Utiliser uniquement sur le rail mural LINK.

DÉPANNAGE

PROBLÈME	CAUSE POSSIBLE	SOLUTION
Le moteur ne démarre pas quand change la gâchette.	Le bloc-piles n'est pas fixée.	Pour la fixer, s'assurer que le loquet au bas du bloc-piles est enclenché correctement.
	Le bloc-piles n'est pas chargée.	Charger la pile conformément aux instructions fournis avec ce modèle.

Ce produit est accompagné d'une garantie limitée de trois (3) ans pour utilisation personnel, familiales ou domestiques (90 jours pour utilisation affaires ou commerciaux). Pour obtenir les détails de la garantie, visiter le site www.ryobitools.com ou appeler (sans frais) au 1-800-525-2579.

INSTRUCCIONES DE SEGURIDAD IMPORTANTES

¡ADVERTENCIA!

Lea todas las advertencias de seguridad, instrucciones, ilustraciones y especificaciones proporcionadas con esta herramienta eléctrica. No seguir las instrucciones indicadas a continuación puede provocar descargas eléctricas, incendios o lesiones graves.

Guarde todas las advertencias e instrucciones para futuras consultas. El término “herramienta eléctrica” empleado en todos los avisos de advertencia enumerados abajo se refiere a las herramientas eléctricas de cordón (alámbricas) y de baterías (inalámbricas).

SEGURIDAD EN EL ÁREA DE TRABAJO

- **Mantenga limpia y bien iluminada el área de trabajo.** Un área de trabajo mal despejada o mal iluminada propicia accidentes.
- **No utilice herramientas motorizadas en atmósferas explosivas, como las existentes alrededor de líquidos, gases y polvos inflamables.** Las herramientas eléctricas generan chispas que pueden encender el polvo y los vapores inflamables.
- **Mantenga alejados a los niños y circunstantes al maniobrar una herramienta eléctrica.** Toda distracción puede causar pérdida del control de la herramienta.

SEGURIDAD ELÉCTRICA

- **Las clavijas de las herramientas eléctricas deben corresponder a las tomas de corriente donde se conectan. Nunca modifique la clavija de ninguna forma. No utilice ninguna clavija adaptadora con herramientas eléctricas dotadas de contacto a tierra.** Conectando las clavijas originales en las tomas de corriente donde corresponden se disminuye el riesgo de una descarga eléctrica.
- **Evite el contacto del cuerpo con las superficies de objetos que estén haciendo tierra o estén conectados a ésta, como tuberías, radiadores, estufas y refrigeradores.** Existe un mayor riesgo de descargas eléctricas si el cuerpo está haciendo tierra.
- **No exponga las herramientas eléctricas a la lluvia ni a condiciones de humedad.** La introducción de agua en una herramienta eléctrica aumenta el riesgo de descargas eléctricas.
- **No maltrate el cordón eléctrico. Nunca utilice el cordón para trasladar, desconectar o tirar de la herramienta eléctrica. Mantenga el cordón alejado del calor, del aceite, de bordes afilados y de piezas móviles.** Los cordones eléctricos dañados o enredados aumentan el riesgo de descargas eléctricas.
- **Al utilizar una herramienta eléctrica a la intemperie, use un cordón de extensión apropiado para el exterior.**

Usando un cordón adecuado para el exterior se disminuye el riesgo de descargas eléctricas.

- **Si debe operar una herramienta en lugares húmedos, use un suministro protegido por un interruptor de circuito con pérdida a tierra (GFCI).** El uso de un GFCI reduce el riesgo de descargas eléctricas.

SEGURIDAD PERSONAL

- **Permanezca alerta, preste atención a lo que esté haciendo y aplique el sentido común al utilizar herramientas eléctricas. No utilice la herramienta eléctrica si está cansado o se encuentra bajo los efectos de alguna droga, alcohol o medicamento.** Un momento de inatención al utilizar una herramienta eléctrica puede causar lesiones corporales serias.
- **Use equipo de seguridad. Siempre póngase protección ocular.** El uso de equipo de seguridad como mascarilla para el polvo, calzado de seguridad, casco y protección para los oídos en las circunstancias donde corresponda disminuye el riesgo de lesiones.
- **Evite un arranque accidental de la unidad. Asegúrese de que el interruptor esté en la posición de apagado antes de conectar la herramienta.** Portar las herramientas eléctricas con el dedo en el interruptor, o conectarlas con el interruptor puesto, propicia accidentes.
- **Retire toda llave o herramienta de ajuste antes de encender la herramienta eléctrica.** Toda llave o herramienta de ajuste dejada en una pieza giratoria de la herramienta eléctrica puede causar lesiones.
- **No estire el cuerpo para alcanzar mayor distancia. Mantenga una postura firme y buen equilibrio en todo momento.** De esta manera se logra un mejor control de la herramienta eléctrica en situaciones inesperadas.
- **Vístase adecuadamente. No vista ropas holgadas ni joyas. Mantenga el cabello, la ropa y los guantes alejados de las piezas móviles.** Las ropas holgadas, las joyas y el cabello largo pueden engancharse en las piezas móviles.

EMPLEO Y CUIDADO DE LA HERRAMIENTA ELÉCTRICA

- **No fuerce la herramienta eléctrica. Utilice la herramienta eléctrica adecuada para cada trabajo.** La herramienta eléctrica adecuada efectúa mejor y de manera más segura el trabajo, si además se maneja a la velocidad para la que está diseñada.
- **No utilice la herramienta si el interruptor no enciende o no apaga.** Cualquier herramienta eléctrica que no pueda controlarse con el interruptor es peligrosa y debe repararse.
- **Desconecte la clavija del suministro de corriente o retire el paquete de baterías de la herramienta eléctrica, según sea el caso, antes de efectuarle cualquier ajuste, cambiarle accesorios o guardarla.** Tales medidas

INSTRUCCIONES DE SEGURIDAD IMPORTANTES

preventivas de seguridad reducen el riesgo de poner en marcha accidentalmente la herramienta.

- **Guarde las herramientas eléctricas desocupadas fuera del alcance de los niños y no permita que las utilicen personas no familiarizadas con las mismas o con estas instrucciones.** Las herramientas eléctricas son peligrosas en manos de personas no capacitadas en el uso de las mismas.
- **Mantenga las herramientas y accesorios eléctricos.** Revise para ver si hay desalineación o atoramiento de piezas móviles, ruptura de piezas o cualquier otra condición que pueda afectar el funcionamiento de la herramienta. Si está dañada la herramienta eléctrica, permita que la reparen antes de usarla. Numerosos accidentes son causados por herramientas eléctricas mal cuidadas.
- **Mantenga las herramientas de corte afiladas y limpias.** Las herramientas de corte bien cuidadas y con bordes bien afilados, tienen menos probabilidad de atascarse en la pieza de trabajo y son más fáciles de controlar.
- **Utilice la herramienta eléctrica, los accesorios y brocas, hojas y cuchillas de corte, ruedas de esmeril, etc. de conformidad con estas instrucciones, tomando en cuenta las condiciones de trabajo y la tarea por realizar.** Si se utiliza la herramienta eléctrica para operaciones diferentes de las indicadas podría originar una situación peligrosa.
- **Mantenga los mangos y superficies de agarre limpias y libres de aceite y grasa.** Los mangos y superficies de agarre resbalosos no permiten una manipulación y control seguros de la herramienta en situaciones inesperadas.

EMPLEO Y CUIDADO DE LA HERRAMIENTA DE BATERÍAS

- **Sólo cargue el paquete de baterías con el cargador especificado por el fabricante.** Un cargador adecuado para un tipo paquete de baterías puede significar un riesgo de incendio si se emplea con un paquete de baterías diferente.
- **Utilice las herramientas eléctricas sólo con los paquetes de baterías específicamente indicados.** El empleo de paquetes de baterías diferentes puede presentar un riesgo de incendio.
- **Cuando no esté utilizándose el paquete de baterías, manténgalo lejos de otros objetos metálicos, como clips, monedas, llaves, clavos, tornillos o otros objetos metálicos, pequeños que puedan establecer conexión entre ambas terminales.** Establecer una conexión directa

entre las dos terminales de las baterías puede causar quemaduras o incendios.

- **Si se maltratan las baterías, puede derramarse líquido de las mismas; evite todo contacto con éste. En caso de contacto, lávese con agua. Si el líquido llega a tocar los ojos, además busque atención médica.** El líquido de las baterías puede causar irritación y quemaduras.
- **No utilice una batería o herramienta dañada o modificada.** Las baterías dañadas o modificadas pueden tener un funcionamiento impredecible que provoque incendios, explosiones o riesgo de lesiones.
- **No exponga la batería o herramienta al fuego o a temperaturas excesivas.** La exposición al fuego o a una temperatura superior a los 130 °C (265 °F) puede provocar explosiones.
- Usar este producto únicamente con la baterías y el cargador indicados en el folleto de la herramienta/aparato/paquete de baterías/cargador complementario 987000-432. Consulte los manuales de cada accesorio para conocer las limitaciones.
- **Siga todas las instrucciones de carga y no cargue el paquete de baterías ni el aparato fuera del rango de temperaturas especificado en las instrucciones.** Si realiza la carga en forma incorrecta o fuera de la temperatura del rango especificado, puede dañar la batería y aumentar el riesgo de incendios.

SERVICIO

- **Permita que un técnico de reparación calificado preste servicio a la herramienta eléctrica, y sólo con piezas de repuesto idénticas.** De esta manera se mantiene la seguridad de la herramienta eléctrica.
- **Nunca intente reparar BATERÍA dañadas.** Las tareas de servicio de las BATERÍAS solo deben ser realizadas por el fabricante o proveedores de servicio autorizados.
- **Al dar servicio a una herramienta eléctrica, sólo utilice piezas de repuesto idénticas. Siga las instrucciones señaladas en la sección Mantenimiento de este manual.** El empleo de piezas no autorizadas o el incumplimiento de las instrucciones de mantenimiento puede significar un riesgo de descarga eléctrica o de lesiones.




USO DE UN ACCESORIO DE DESBROZADORA

- Cuando utilice un accesorio de desbrozadora, siga las instrucciones del fabricante para instalar el mango y el arnés de seguridad.
- Utilice este cabezal motorizado únicamente con las baterías RYOBI de 18 V que se mencionan en el Manual del operador de la desbrozadora.









GUARDE ESTAS INSTRUCCIONES JUNTO CON LAS INSTRUCCIONES PARA CUALQUIER ACCESORIO: Lea y comprenda detenidamente estas instrucciones y las instrucciones de los accesorios en cuestión antes de usar este cabezal motorizado y cualquier accesorio.

SÍMBOLOS

Las siguientes palabras de señalización y sus significados tienen el objeto de explicar los niveles de riesgo relacionados con este producto.

SÍMBOLO	SEÑAL	SIGNIFICADO
	PELIGRO:	Indica una situación peligrosa, la cual, si no se evita, causará la muerte o lesiones serias.
	ADVERTENCIA:	Indica una situación peligrosa, la cual, si no se evita, podría causar la muerte o lesiones serias.
	PRECAUCIÓN:	Indica una situación peligrosa, la cual, si no se evita, podría causar lesiones menores o leves.
	AVISO:	(Sin el símbolo de alerta de seguridad) Indica la información que se considera importante, pero no relacionada con lesiones potenciales (por ej. en relación a daños a la propiedad).

Es posible que se empleen en este producto algunos de los siguientes símbolos. Le suplicamos estudiarlos y aprender su significado. Una correcta interpretación de estos símbolos le permitirá utilizar mejor y de manera más segura el producto.

SÍMBOLO	NOMBRE	DENOMINACIÓN/EXPLICACIÓN
	Alerta de seguridad	Indica un peligro posible de lesiones personales.
	Lea manual del operador	Para reducir el riesgo de lesiones, el usuario debe leer y comprender el manual del operador antes de usar este producto.
	Protección para los ojos y oídos	Siempre póngase protección ocular con la marca de cumplimiento de la norma ANSI Z87.1 junto con protección auditiva.
	Alerta de condiciones húmedas	Riesgo de incendio y quemaduras. No exponga la unidad a la lluvia. No exponga la batería, el compartimento de la batería o componentes electrónicos a la lluvia, el agua o líquidos. No use la herramienta en pisos húmedos.
	Mantenga alejadas a las personas presentes	Mantenga a los circunstantes a una distancia mínima de 15 m (50 pies).
	Rebote	Cualquier objeto lanzado puede rebotar y producir lesiones personales o daños físicos.
	Desconecte la batería antes de realizar tareas de mantenimiento	Para reducir el riesgo de lesiones, el usuario debe quitar la batería antes de realizar tareas de servicio o mantenimiento del producto.
	Símbolo de reciclado	Este producto contiene baterías de iones de litio (Li-ion). Es posible que algunas leyes municipales, estatales o federales prohíban desechar las baterías en la basura normal. Consulte a las autoridades reguladoras de desechos para obtener información en relación con las alternativas de reciclado y desecho disponibles.
==	Corriente continua	Tipo o característica de corriente
n_0	Velocidad en vacío	Velocidad de rotación, en vacío
.../min	Por minuto	Revoluciones, carreras, velocidad superficial, órbitas, etc., por minuto
V	Volts	Voltaje
Hz	Hertz	Frecuencia (ciclos por segundo)
min	Minutos	Tiempo

CARACTERÍSTICAS

FAMILIARÍCESE CON SU CABEZAL MOTOR

Vea la figura 1.

El uso seguro que este producto requiere la comprensión de la información impresa en la producto y en el manual del operador así como ciertos conocimientos sobre el proyecto a realizar. Antes de usar este producto, familiarícese con todas las características de funcionamiento y normas de seguridad.

SOBREMOLDEADO MANGO

El sobremoldeado mango proporciona mayor comodidad para el operador.

INTERRUPTOR DE VELOCIDAD

Esta herramienta tiene un selector de velocidad que le permite al operador elegir entre la velocidad ALTA o BAJA. Usar la

velocidad baja durante su operación ayuda a prologar el tiempo de funcionamiento de la batería, mientras que usar la velocidad alta mejora la potencia y el desempeño.

GATILLO CON SEGURO

El gatillo con seguro evita los arranques accidentales.

INTERRUPTOR DE GATILLO DE VELOCIDAD VARIABLE

Esta herramienta dispone de un interruptor de velocidad variable, el cual produce mayor velocidad cuanto mayor presión se aplica en el mismo. La velocidad se controla mediante la presión aplicada en el gatillo del interruptor.

ARMADO

DESEMPAQUETADO

Este producto requiere armarse.

- Extraiga cuidadosamente de la caja la producto y los accesorios. Asegúrese de que estén presentes todos los artículos enumerados en la **Lista de empaquetado**.

ADVERTENCIA:

No utilice este producto si alguna pieza incluida en la **Lista de empaquetado** ya está ensamblada al producto cuando lo desempaqueta. El fabricante no ensambla las piezas de esta lista en el producto. Éstas deben ser instaladas por el usuario. El uso de un producto que puede haber sido ensamblado de forma inadecuada podría causar lesiones personales graves.

- Inspeccione cuidadosamente la producto para asegurarse de que no haya sufrido ninguna rotura o daño durante el transporte.
- No deseche el material de empaquetado hasta que haya inspeccionado cuidadosamente la producto y la haya utilizado satisfactoriamente.
- Si hay piezas dañadas o faltantes, le suplicamos llamar al 1-800-525-2579, donde le brindaremos asistencia.

LISTA DE EMPAQUETADO

Cabezal motor

Mango delantero

Manual del operador

ADVERTENCIA:

Si hay piezas dañadas o faltantes, no utilice esta producto sin haber reemplazado las piezas dañadas o faltantes. La inobservancia de esta advertencia puede causar lesiones graves.

ADVERTENCIA:

No intente modificar esta producto ni hacer accesorios no recomendados para la misma. Cualquier alteración o modificación constituye maltrato el cual puede causar una condición peligrosa, y como consecuencia posibles lesiones corporales serias.

ADVERTENCIA:

Para evitar un arranque accidental que podría causar lesiones corporales serias, siempre desmonte de la producto el paquete de baterías al montarle piezas a aquélla.

INSTALACIÓN UN ADITAMENTO DEL CABEZAL MOTOR

Vea la figura 2.

ADVERTENCIA:

Lea y comprenda todo el Manual del operador de cada accesorio opcional que se utilice con este cabezal del motor, y siga todas las advertencias e instrucciones. El incumplimiento de las instrucciones podría ocasionar descargas eléctricas, fuego o lesiones personales graves.

ADVERTENCIA:

Este cabezal del motor de 18V está diseñado para que sólo se utilice con los modelos de accesorios que se especifican en este Manual del operador. No está diseñado para ser usado con desbrozadoras u otros modelos de accesorios. El uso de otros accesorios podría provocar lesiones personales graves o daños a la propiedad.

ARMADO

⚠ ADVERTENCIA:

Nunca una ni ajuste ningún aditamento, desmontar o mientras esté funcionando el cabezal motor. Si no apaga el motor puede causarse lesiones serias a sí mismo y a otras personas. Nunca opere el cabezal motor sin un accesorio.

Sólo es posible utilizar este cabezal del motor de 18 V con los siguientes accesorios EXPAND-IT RYOBI:

- Desbrozadora – RYBRC
- Podadora de setos – RYHDG
- Soplador de canaleta – RYGUT
- Recortadoras de bordes – RY15518, RYEDG11, RYEDG12 y RYEDG
- Sopladora – RYAXA22
- Recortadoras de hilo de eje recto – RY15523, RY15523A, RY15526, RY15527 y RYSST44
- Cultivadores – RY15550, RYTIL66 y RYTIL
- Podadora – RY15520, RYPRN33 y RYPRN
- Equipo quitanieve – RYSNW00
- Accesorio para barredor – RYSWP25, RYSWP y RYSWPRUB

El aditamento se conecta al cabezal motor mediante un dispositivo acoplador.

- Apague el motor y retire el paquete de baterías.
- Afloje la perilla en el acoplador del eje del cabezal de potencia y retire la tapa extrema del accesorio.
- Oprima el botón situado en el eje del aditamento. Alinee el botón con el hueco guía situado en el acoplador del cabezal motor, y con un movimiento de deslizamiento

una los dos ejes. Gire el eje del aditamento hasta que el botón quede asegurado en el orificio de posicionamiento.

NOTA: Si el botón no brota completamente en el orificio de posicionamiento, significa que los ejes no están bien asegurados en su lugar. Gire levemente los ejes de un lado a otro hasta que el botón quede asegurado en su lugar.

- Apriete firmemente la perilla.

⚠ ADVERTENCIA:

Asegúrese de que esté bien apretada la perilla antes de utilizar el equipo; verifique periódicamente el apriete de la misma durante el uso para evitar lesiones corporales graves.

DESMONTAJE DEL ADITAMENTO DEL CABEZAL MOTOR

- Apague el motor y desconecte el cable de la bujía.
- Afloje la perilla.
- Oprima el botón y gire los ejes para separar los extremos de los mismos.

MONTAJE DEL MANGO DELANTERO

Vea la figura 3.

- Retire la tuerca de mariposa y perno del clip de la mango delantero.
- Instale el soporte de la manija delantera en la flecha como lo indica la etiqueta en el eje superior.
- Coloque el perno a través del mango delantero.
NOTA: El perno de cabeza hexagonal cabe en el hueco de tal forma moldeado en un costado del mango.
- Vuelva tuerca de mariposa.
- Apriete firmemente la tuerca de mariposa.

FUNCIONAMIENTO

⚠ ADVERTENCIA:

Lea y comprenda todo el Manual del operador de cada accesorio opcional que se utilice con este cabezal del motor, y siga todas las advertencias e instrucciones. El incumplimiento de las instrucciones podría ocasionar descargas eléctricas, fuego o lesiones personales graves.

⚠ ADVERTENCIA:

No permita que su familiarización con las herramientas lo vuelva descuidado. Tenga presente que un descuido de un instante es suficiente para causar una lesión grave.

⚠ ADVERTENCIA:

Siempre póngase protección ocular con protección lateral con la marca de cumplimiento de la norma ANSI Z87.1. La inobservancia de esta advertencia puede causar el lanzamiento de objetos a los ojos, y por consecuencia posibles lesiones serias.

⚠ ADVERTENCIA:

Nunca use hojas, dispositivos móviles, alambre ni cuerdas en este producto. No utilice ningún aditamento o accesorio no recomendado por el fabricante de este producto. El empleo de aditamentos o accesorios no recomendados puede causar lesiones serias.

FUNCIONAMIENTO

ADVERTENCIA:

Nunca utilice dispositivos para agitar, alambres o cuerdas en este producto. No utilice ningún accesorio no recomendado por el fabricante de este producto. El uso de accesorios no recomendados puede provocar lesiones personales graves.

AVISO:

Antes de cada uso, inspeccione todo el producto para detectar partes dañadas, faltantes o sueltas, como tornillos, tuercas, pernos, tapas, etc. Apriete firmemente todos los sujetadores y las tapas y no accione este producto hasta que todas las partes faltantes o dañadas sean reemplazadas. Póngase en contacto con el servicio al cliente o con un centro de servicio autorizado para obtener ayuda.

INSTALACIÓN/EXTRACCIÓN DE LA BATERÍA

Vea la figura 4.

ADVERTENCIA:

Retire siempre el paquete de baterías de la herramienta antes de instalar las piezas, realizar ajustes, limpiarla o cuando no la utilice. Retirar el paquete de baterías evitará que la unidad se accione accidentalmente y provoque lesiones graves.

Para instalar el paquete de baterías:

- Inserte el paquete de baterías en el producto como se muestra.
- Asegúrese de que los pestillos situados a ambos lados del paquete de baterías entren completamente en su lugar con un chasquido y de que el paquete quede bien asegurado en la herramienta antes de comenzar a utilizarla.

ADVERTENCIA:

Asegúrese de que los pestillos del paquete de baterías entre adecuadamente en su lugar y que el paquete de baterías esté bien colocado y asegurado en el puerto de batería antes de que encenderla. No asentar el paquete de baterías correctamente podría provocar que el paquete de baterías se caiga y cause lesiones personales graves.

Para retirar el paquete de baterías:

- Oprima los pestillos laterales del paquete de baterías.
- Retire el paquete de baterías del producto.

Para ver las instrucciones de carga completas, consulte los manuales del operador del paquete de baterías RYOBI y los modelos de cargador.

ADVERTENCIA:

Para evitar lesiones corporales serias, siempre desmonte de la herramienta el paquete de baterías y mantenga manos vacías del gatillo con seguro al llevar herramienta.

ENCENDIDO Y APAGADO DE LA CABEZAL MOTOR

Vea las figuras 5.

Para encendido:

- Seleccione la velocidad de funcionamiento deseada (ALTA o BAJA).
- Mueva el bloqueo hacia la ranura del gatillo del interruptor.
- Oprima el gatillo del interruptor.

Para apagado:

- Suelte el gatillo cuando desee apagar la cabezal motor.
- Una vez que se suelta el gatillo interruptor, el sistema de bloqueo se restablecerá completamente a la posición bloqueada.

MANEJO DE LA CABEZAL MOTOR

Vea las figuras 6 y 7.

Sujete el cabezal motor con la mano derecha en el mango trasero y coloque la mano izquierda en el mango delantero. Sujete firmemente la unidad con ambas manos durante la operación. Se recomienda sujetar el cabezal motor en una posición cómoda, con el mango trasero a la altura de la cadera.

NOTA: Las posiciones operativas más comunes se muestran en las imágenes de referencia. Para la posición operativa de su accesorio específico, consulte el manual del operador que vino con ese accesorio.

Siempre opere el cabezal motor con la máxima aceleración. Si se acumulan residuos en el accesorio, **DETENGA EL MOTOR**, retire el paquete de baterías y quite los residuos.

ADVERTENCIA:

Siempre sujete el cabezal motor de hilo lejos del cuerpo, manteniendo un espacio entre el cuerpo y la herramienta. Cualquier contacto del cuerpo con la armazón o el cabezal de corte de el aditamento puede producir quemaduras y/o otras lesiones serias.

ADVERTENCIA:

Lea la información de seguridad para una operación segura cuando utilice un accesorio y consulte las reglas e instrucciones de seguridad en el manual del accesorio. El funcionamiento inadecuado de una cuchilla o de cualquier accesorio podría provocar lesiones graves.

MANTENIMIENTO

⚠ ADVERTENCIA:

Para evitar lesiones corporales serias, siempre retire el paquete de pilas de la herramienta al limpiarla o darle mantenimiento.

⚠ ADVERTENCIA:

Siempre póngase protección ocular con protección lateral con la marca de cumplimiento de la norma ANSI Z87.1. La inobservancia de esta advertencia puede causar el lanzamiento de objetos a los ojos, y por consecuencia posibles lesiones serias.

⚠ ADVERTENCIA:

Al dar servicio a la unidad, sólo utilice piezas de repuesto idénticas. El empleo de piezas diferentes podría causar un peligro o dañar el producto.

⚠ ADVERTENCIA:

Nunca use agua ni otros líquidos para limpiar o enjuagar la product y no exponga la unidad a la lluvia ni de condiciones húmedas. Almacene la unidad en el interior en un lugar seco. Los líquidos corrosivos, el agua, y los productos químicos pueden ingresar los componentes eléctricos del producto y/o al compartimiento de la batería y dañar los componentes eléctricos o el paquete de la batería, lo que podría resultar en un corto circuito, mayor riesgo de incendio y lesiones personales graves. Retire la acumulación de suciedad y los residuos limpiando el producto con un trapo seco de manera ocasional.

AVISO:

inspeccione periódicamente todo el producto para detectar partes dañadas, faltantes o sueltas, como tornillos, tuercas, pernos, tapas, etc. Apriete firmemente todos los sujetadores y las tapas y no accione este producto hasta que todas las partes faltantes o dañadas sean reemplazadas. Póngase en contacto con el servicio al cliente o con un centro de servicio autorizado para obtener ayuda.

MANTENIMIENTO GENERAL

Evite el empleo de solventes al limpiar piezas de plástico. La mayoría de los plásticos son susceptibles a diferentes tipos de solventes comerciales y pueden resultar dañados. Utilice paños limpios para eliminar la suciedad, el polvo, el aceite, la grasa, etc.

⚠ ADVERTENCIA:

No permita en ningún momento que fluidos para frenos, gasolina, productos a base de petróleo, aceites penetrantes, etc., lleguen a tocar las piezas de plástico. Las sustancias químicas pueden dañar, debilitar o destruir el plástico, lo cual a su vez puede producir lesiones corporales serias.

LIMPIEZA DE LA CABEZAL MOTOR

- Apague el motor y retire el paquete de baterías.
- Limpie la suciedad y los residuos del cabezal motorizado con un paño seco.

AVISO:

No emplee detergentes concentrados sobre el compartimiento de plástico o el mango. Pueden dañarse con ciertos aceites aromáticos, como de pino o limón, y con solventes como el querosén.

ALMACENAMIENTO DE LA CABEZAL MOTOR

- Retire el paquete de baterías de la cabezal motor antes de almacenarla.
- Limpie todos los desechos presentes en la cabezal motor.
- Almacene la unidad en un espacio inaccesible a los niños.
- Mantenga la unidad alejada de agentes corrosivos como los productos químicos para el jardín y las sales para derretir el hielo.
- El gancho para el orificio de la llave y el sistema RYOBI LINK se encuentran en la parte inferior de la unidad y se pueden usar para colgar.

Para usar con el sistema de almacenamiento modular LINK:

- La unidad es compatible con el sistema RYOBI LINK. Úselo únicamente en el riel de pared LINK.

CORRECCIÓN DE PROBLEMAS

PROBLEMA	CAUSA POSIBLE	SOLUCIÓN
El motor falla de arranque cuando disparador de gatillo del interruptor.	La paquete de baterías no está fija. La paquete de baterías no está cargada.	Para fijar el paquete de baterías, asegúrese de que la traba de la parte inferior del paquete de baterías quede insertada en su lugar. Cargue el paquete de baterías según las instrucciones incluidas con su modelo.

**Este producto tiene una garantía limitada de tres años para fines personales, familiares o domésticos (90 días para usos trabajo o comercial).
Para obtener detalles sobre la garantía, diríjase a www.ryobitools.com
o llame sin cargo al 1-800-525-2579.**



OPERATOR'S MANUAL MANUEL D'UTILISATION / MANUAL DEL OPERADOR

**ONE+ 18V POWER HEAD
BLOC MOTEUR SANS BALAI DE 18 V DE ONE+ / CABEZAL MOTOR SIN
ESCOBILLAS DE ONE+ 18 V**

PBLPH01

• **PARTS AND SERVICE:** Prior to requesting service or purchasing replacement parts, please obtain your item, manufacturing, and serial numbers from the product data plate.

ITEM NO.* _____ MANUFACTURING NO. _____
SERIAL NO. _____

* Model/item number on product may have additional letters at the end. These letters designate manufacturing information and should be provided when calling for service.

HOW TO OBTAIN REPLACEMENT PARTS: Replacement parts can be purchased online at www.ryobitools.com or by calling 1-800-525-2579. Replacement parts can also be obtained at one of our service centers.

HOW TO LOCATE A SERVICE CENTER: Service centers can be located online at www.ryobitools.com or by calling 1-800-525-2579.

HOW TO OBTAIN CUSTOMER OR TECHNICAL SUPPORT: To obtain customer or technical support please contact us at 1-800-525-2579.

RYOBI is a registered trademark of Ryobi Limited and is used pursuant to a license granted by Ryobi Limited.

• **PIÈCES ET SERVICE :** Avant de faire la demande de service ou l'achat de pièces de remplacement, veuillez obtenir le numéro d'article, le numéro de fabrication et le numéro de série à partir de la plaque de données du produit.

NUMÉRO D'ARTICLE* _____ NUMÉRO DE FABRICATION _____
NUMÉRO DE SÉRIE _____

* Le numéro de modèle/article sur le produit peut contenir des lettres supplémentaires à la fin. Ces lettres désignent les informations du fabricant et doivent être fournies lors d'un appel de demande de service.

COMMENT OBTENIR LES PIÈCES DE REMPLACEMENT : Les pièces de remplacement peuvent être achetées en ligne sur le site www.ryobitools.com ou par téléphone au 1-800-525-2579. Les pièces de remplacement peuvent être obtenues à un de nos centres de service.

COMMENT TROUVER UN CENTRE DE SERVICE : Les centres de service peuvent être localisés en ligne au www.ryobitools.com ou en téléphonant au 1-800-525-2579.

COMMENT OBTENIR DE L'AIDE EN CONTACTANT LE SERVICE À LA CLIENTÈLE : Pour contacter le service à la clientèle pour une question technique ou pour tout autre renseignement, veuillez nous téléphoner au 1-800-525-2579.

RYOBI est une marque déposée de Ryobi Limited et est utilisée en vertu d'une licence accordée par Ryobi Limited.

• **PIEZAS DE REPUESTO Y SERVICIO:** Antes de solicitar servicio técnico o comprar piezas de repuesto, obtenga su número de artículo, el número de fabricación y el número de serie de la placa de datos del producto.

NÚMERO DE ARTÍCULO* _____ NÚMERO DE FABRICACIÓN _____
NÚMERO DE SERIE _____

* El número de modelo/artículo que figura en el producto podría tener letras adicionales al final. Estas designan información de fabricación y deben suministrarse cuando llame para obtener asistencia o servicio.

CÓMO OBTENER PIEZAS DE REPUESTO: Las piezas de repuesto se pueden comprar en nuestro sitio en la red mundial, en la dirección www.ryobitools.com o llamando al 1-800-525-2579. Las piezas de repuesto también se pueden obtener en uno de nuestros centros de servicio.

CÓMO LOCALIZAR UN CENTRO DE SERVICIO: Puede encontrar los centros de servicio visitando nuestro sitio en la red mundial, en la dirección www.ryobitools.com or by calling 1-800-525-2579.

CÓMO OBTENER SERVICIO O ASISTENCIA TÉCNICA AL CONSUMIDOR: Para obtener servicio o asistencia técnica al consumidor, sírvase comunicarse con nosotros llamando al 1-800-525-2579.

RYOBI es una marca registrada de Ryobi Limited y se utiliza conforme a una licencia otorgada por Ryobi Limited.

TTI OUTDOOR POWER EQUIPMENT, INC.

P.O. Box 1288, Anderson, SC 29622, USA
1-800-525-2579 • www.ryobitools.com



EXPAND-IT
ATTACHMENTS



REGISTER YOUR TOOLS

<http://register.ryobitools.com>
1-800-525-2579

For quick tool registration and service – scan and download the RYOBI app.

OPERATOR'S MANUAL

MANUEL D'UTILISATION

MANUAL DEL OPERADOR

STRAIGHT SHAFT TRIMMER

ATTACHMENT WITH 2-IN-1

HEAD ACCESSORY

ARBRE DROIT ACCESSOIRE

TAILLE-BORDURES AVEC ACCESSOIRE

TÊTE À 2-EN-1

ACCESORIO PARA RECORTAR

DE EJE RECTO CON ACCESORIO DE

CABEZAL DE 2 EN 1

PBLSS01

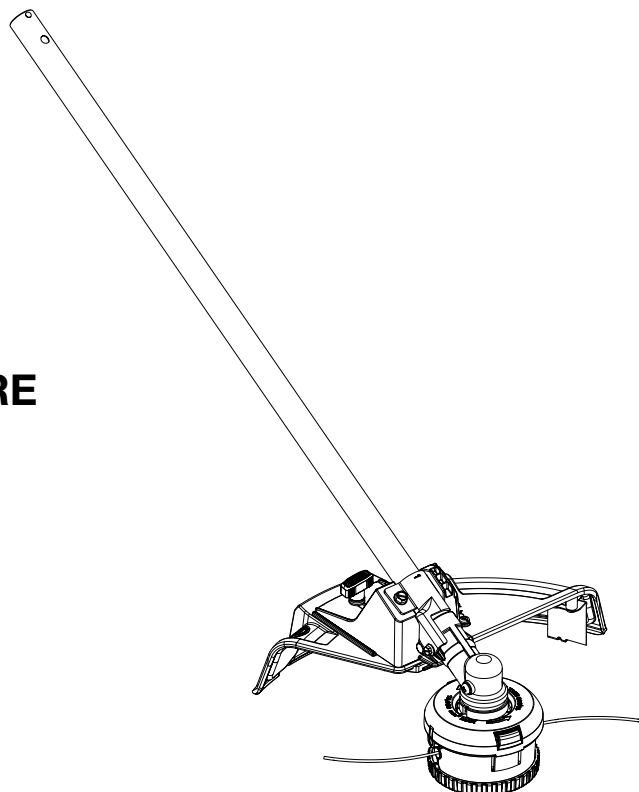


TABLE OF CONTENTS

- General Safety Rules2
- Specific Safety Rules2
- Grass Trimmer Safety Warnings3
- Symbols4
- Features5
- Assembly 5-7
- Operation 7-8
- Maintenance9
- Troubleshooting10
- Parts Ordering/Service..... Back Page

TABLE DES MATIÈRES

- Règles de sécurité générales.....2
- Règles de sécurité particulières.....2
- Avertissements de sécurité pour coupe-herbe3
- Symboles4
- Caractéristiques 4-5
- Assemblage 5-6
- Utilisation 7-9
- Entretien 9-10
- Dépannage.....11
- Commande de pièces/ réparation..... Page arrière

ÍNDICE DE CONTENIDO

- Reglas de seguridad generales.....2
- Reglas de seguridad específicas2
- Advertencias de seguridad de la recortadora de césped.....3
- Símbolos4
- Características 4-5
- Armado 5-6
- Funcionamiento 7-9
- Mantenimiento 9-10
- Corrección de problemas11
- Pedidos de piezas/ servicio..... Pág. posterior

WARNING: To reduce the risk of injury, the user must read and understand the operator's manual before using this product.

AVERTISSEMENT : Pour réduire les risques de blessures, l'utilisateur doit lire et veiller à bien comprendre le manuel d'utilisation avant d'employer ce produit.

ADVERTENCIA: Para reducir el riesgo de lesiones, el usuario debe leer y comprender el manual del operador antes de usar este producto.

SAVE THIS MANUAL FOR FUTURE REFERENCE

CONSERVER CE MANUEL POUR FUTURE RÉFÉRENCE

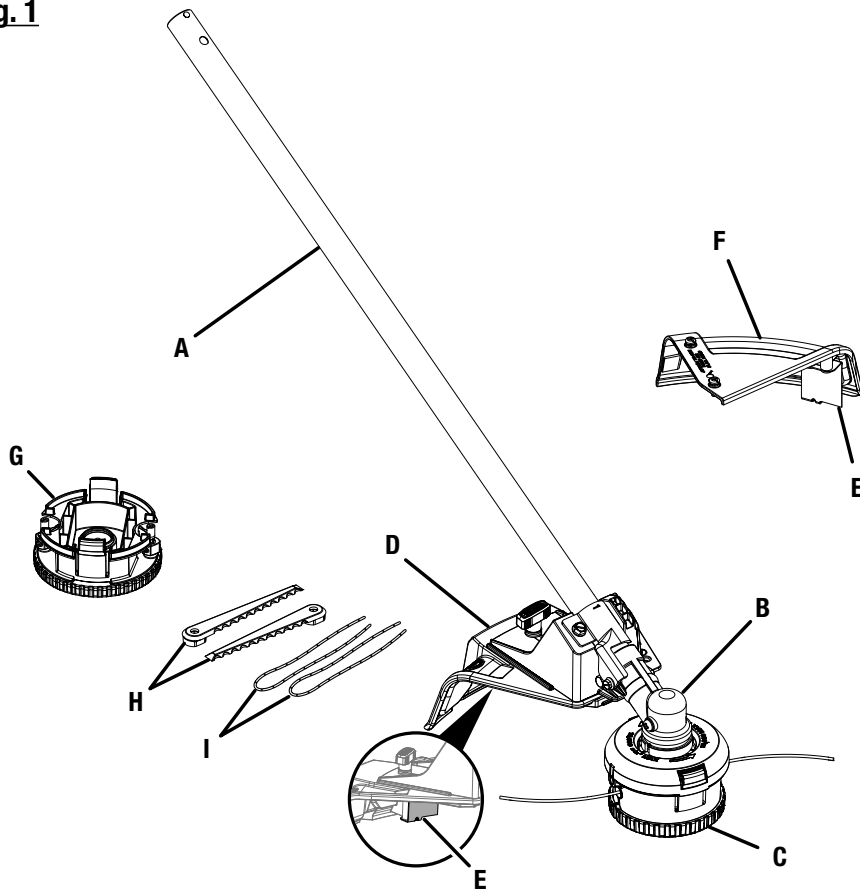
GUARDE ESTE MANUAL PARA FUTURAS CONSULTAS

See this fold-out section for all of the figures referenced in the operator's manual.

Consulter l'encart à volets afin d'examiner toutes les figures mentionnées dans le manuel d'utilisation.

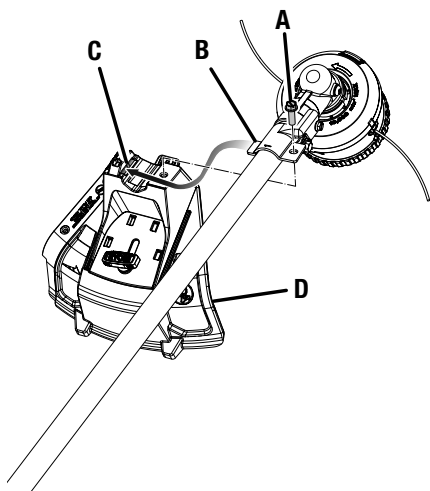
Consulte esta sección desplegable para ver todas las figuras a las que se hace referencia en el manual del operador.

Fig. 1



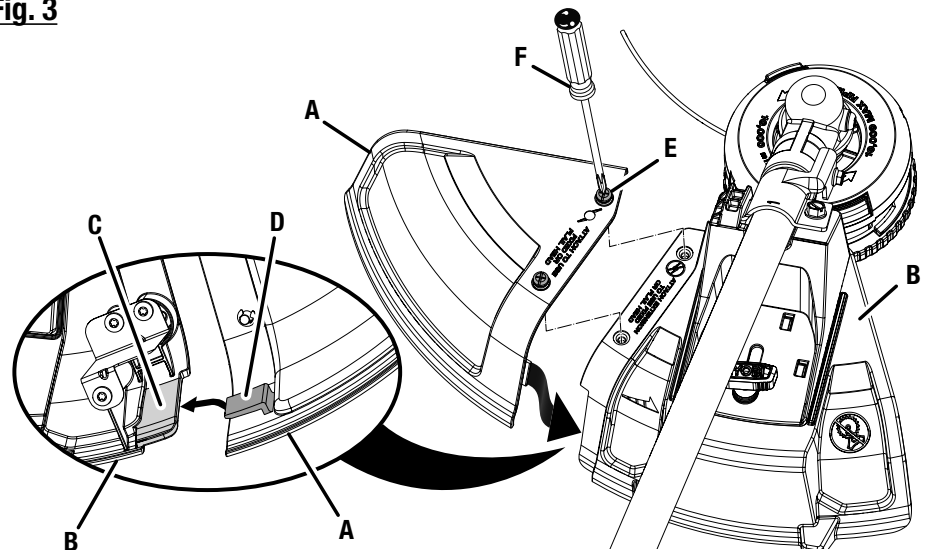
- A - Trimmer shaft (arbre du taille-bordures, eje de la recortadora)
- B - Gear head (carter d'engrenages, cabezal de engranajes)
- C - String head (tête à ligne de coupe, cabezal del hilo)
- D - Grass deflector (déflecteur d'herbe, deflector de pasto)
- E - Line cut-off blade (lame coupe-ligne, cuchilla de corte)
- F - Grass deflector extension (rallonge du déflecteur d'herbe, extensión del deflector de hierba)
- G - 2-in-1 head (tête 2-en-1, cabezal 2 en 1)
- H - Flail blades (lames-fléaux, cuchillas con dientes)
- I - Fixed line segments (segments de ligne fixes, segmentos de línea fija)

Fig. 2



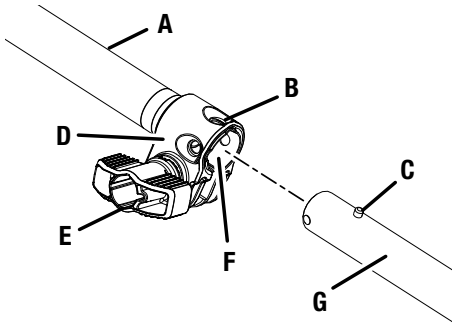
- A - Bolt (boulon, perno)
- B - Tab (languette, orejeta)
- C - Slot (fente, ranura)
- D - Grass deflector (déflecteur d'herbe, deflector de pasto)

Fig. 3



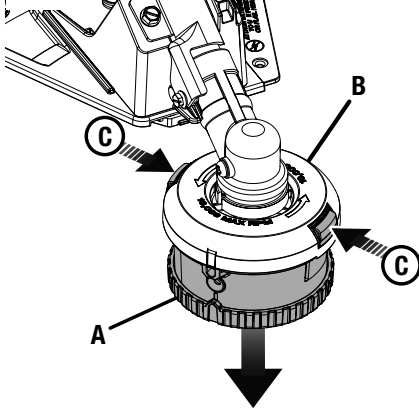
- A - Grass deflector extension (rallonge du déflecteur d'herbe, extensión del deflector de hierba)
- B - Grass deflector (déflecteur d'herbe, deflector de pasto)
- C - Tab (languette, orejeta)
- D - Slot (fente, ranura)
- E - Screw (boulon, perno)
- F - Phillips screwdriver [tournevis à pointe cruciforme (non inclus), embout Phillips (no incluido)]

Fig. 4



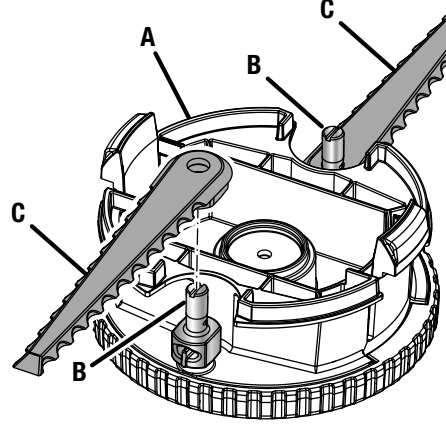
- A - Power head shaft (arbre du bloc moteur, eje del cabezal motor)
- B - Positioning hole (trou de positionnement, orificio de posicionamiento)
- C - Button (bouton, botón)
- D - Coupler (coupleur, acoplador)
- E - Knob (bouton, perilla)
- F - Guide recess (logement guide, hueco guía)
- G - Attachment shaft (arbre d'accessoire, eje del aditamento)

Fig. 5



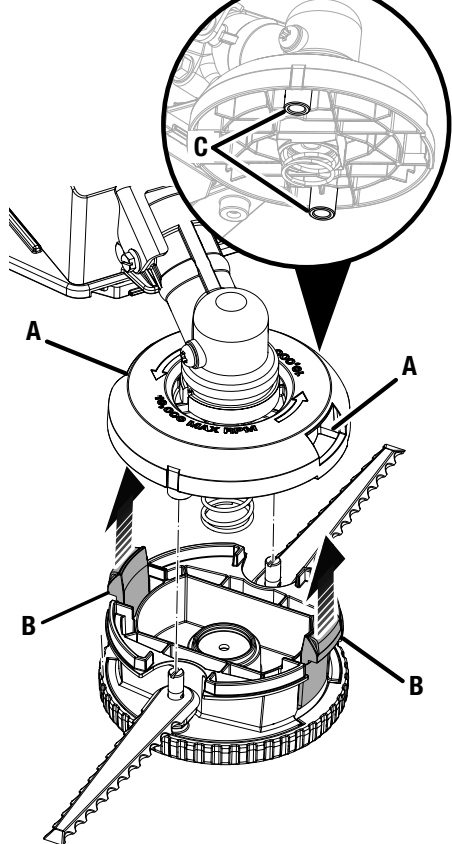
- A - Lower bump feed trimmer head housing (boîtier inférieur de tête à avance par coups, carcasa del cabezal de recortadora de alimentación por golpe inferior)
- B - Upper housing (boîtier supérieur, carcasa superior)
- C - Tabs (languettes, lengüetas)

Fig. 6



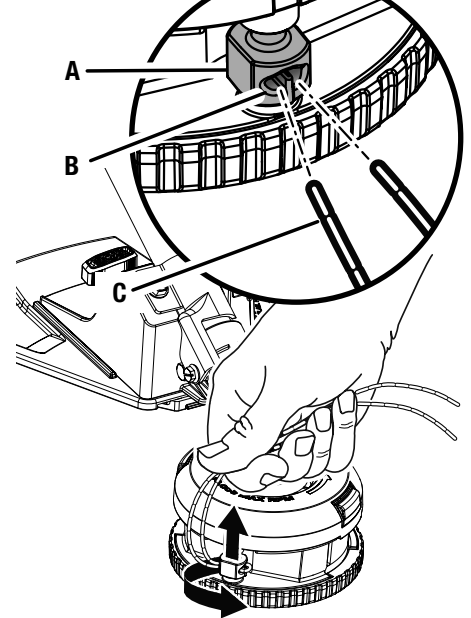
- A - Fixed line/blade housing (boîtier de fil/lame fixe, carcasa de línea fija/hoja)
- B - Posts (poteaux, postes)
- C - Blades (lames, hojas)

Fig. 7



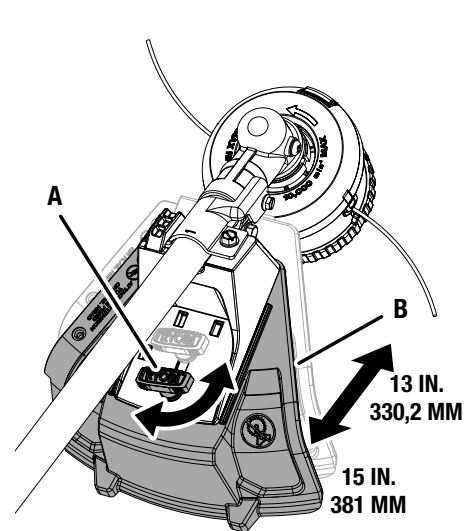
- A - Slots (fentes, ranuras)
- B - Tabs (languettes, lengüetas)
- C - Post holes (rous pour poteaux, orificios para postes)

Fig. 8



- A - Post (poteau, poste)
- B - Eyelet (œillet, ojillos)
- C - Line (ligne, línea)

Fig. 9



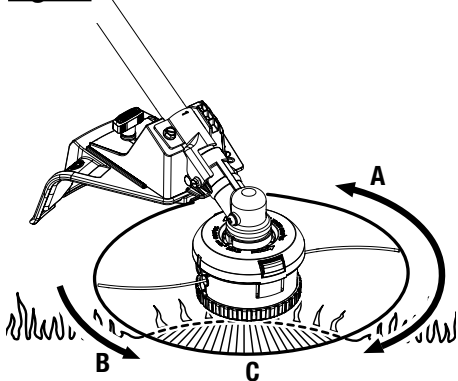
- A - Knob (bouton, perilla)
- B - Grass deflector (déflecteur d'herbe, deflector de pasto)

Fig. 10



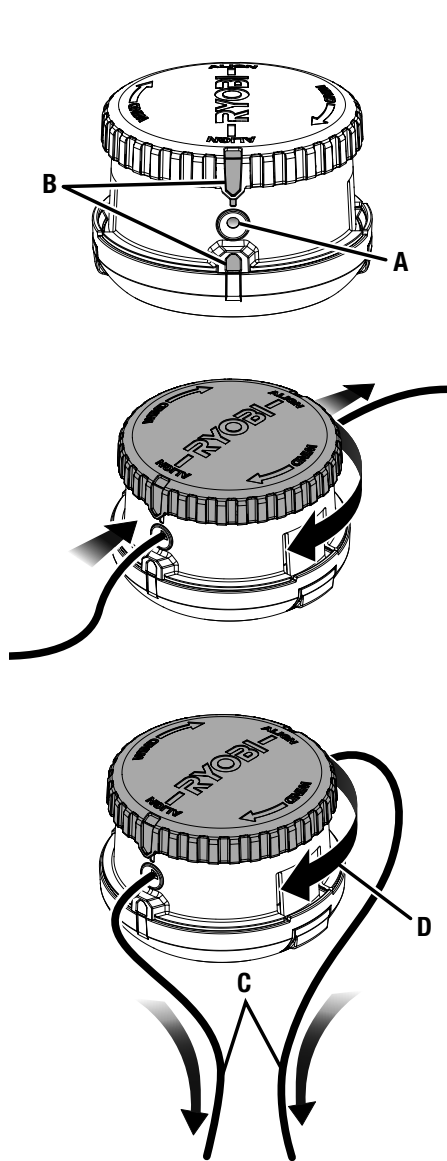
PROPER OPERATING POSITION / BONNE POSITION DE TRAVAIL / POSICIÓN CORRECTA PARA EL MANEJO DE LA HERRAMIENTA

Fig. 11



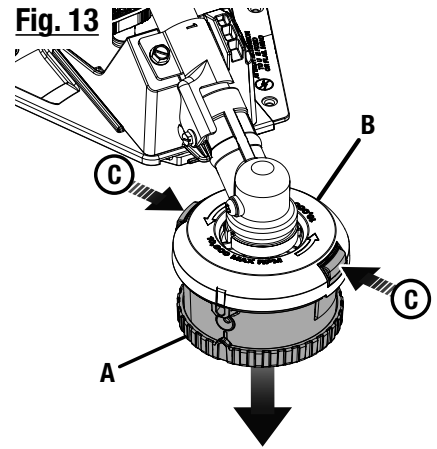
A - Dangerous cutting area (zone de coupe dangereuse, área peligrosa de corte)
 B - Direction of rotation (sens de rotation, sentido de rotación)
 C - Best cutting area (zone d'efficacité maximum, mejor área de corte)

Fig. 12



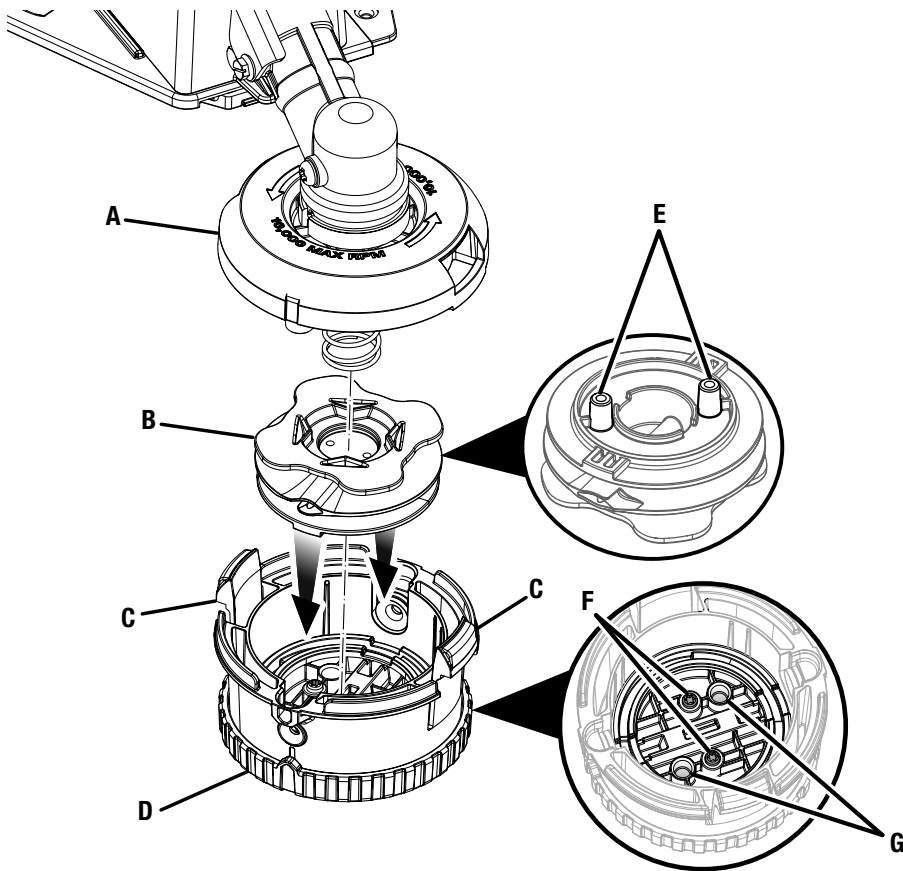
A - Eyelet (œillet, ojillo)
 B - Markers (marqueurs, marcadores)
 C - Pull lines (tirer vers l'extérieur, tira del hilo)
 D - Rotate the bump knob clockwise (tourner la molette dans le sens horaire, girar la perilla de impacto en sentido horario)

Fig. 13



A - Lower bump feed trimmer head housing (boîtier inférieur de tête à avance par coups, carcasa del cabezal de recortadora de alimentación por golpe inferior)
 B - Upper housing (boîtier supérieur, carcasa superior)
 C - Tabs (languettes, lengüetas)

Fig. 14



A - Upper string head housing (boîtier supérieure de tête de coupe, alojamiento superior del cabezal de hilo)
B - Spool (bobine, carrete)
C - Tabs (languettes, lengüetas)

D - Lower string head housing (boîtier inférieur de tête de coupe, alojamiento del cabezal de hilo)
E - Posts (poteaux, postes)
F - Screws (vis, tornillos)
G - Post holes (rous pour poteaux, orificios para postes)

GENERAL SAFETY RULES

WARNING:

Read and understand all instructions. Failure to follow all instructions listed below may result in electric shock, fire, and/or serious personal injury.

SAVE THESE INSTRUCTIONS

- Read these instructions and the instructions for the power head thoroughly before using the straight shaft trimmer attachment.
- Know the tool. Read and understand the operator's manual and observe the warnings and instruction labels affixed to the tool.
- Do not allow children or untrained individuals to use this unit.
- Always wear eye protection with side shields marked to comply with ANSI Z87.1.
- Wear heavy long pants, boots, and gloves. Do not wear loose fitting clothing, short pants, jewelry of any kind, or go barefoot.
- Secure long hair so it is above shoulder level to prevent entanglement in any moving parts.
- Keep all bystanders, children, and pets at least 50 ft. away. Bystanders should be encouraged to wear eye protection.
- Stay alert, watch what you are doing, and use common sense when operating a power tool. Do not use tool while tired or under the influence of drugs, alcohol, or medication. A moment of inattention while operating power tools may result in serious personal injury.

- Do not operate in poor lighting.
- Do not overreach. Keep proper footing and balance at all times. Proper footing and balance enables better control of the tool in unexpected situations.
- Keep all parts of your body away from any moving part.
- Do not rest or place your arm, hand, or any body part against the motor housing during operation. Motor housing on power heads may become hot during trimmer operation. Extended contact with the motor housing can result in burns or other injuries.
- Always stop the motor and disconnect from the power supply before making any adjustments or repairs.
- Inspect unit before each use for loose fasteners and damaged or missing parts. Correct before using the trimmer attachment. Failure to do so can cause serious injury.
- Use only original manufacturer's replacement parts. Failure to do so may cause poor performance, possible injury, and will void your warranty.
- Do not, under any circumstance, use any attachment or accessory on this product, which was not provided with the product, or identified as appropriate for use with this product in the operator's manual.
- Avoid dangerous environments. Do not use the attachment in damp or wet locations. Do not use in rain.
- Use the right attachment. Do not use attachment for any job except that for which it is intended.

SPECIFIC SAFETY RULES

- Replace string head if cracked, chipped, or damaged in any way. Be sure the string head is properly installed and securely fastened. Failure to do so can cause serious injury.
- Make sure all deflectors and handles are properly and securely attached.
- Use only flexible, non-metallic line recommended by the manufacturer. Never use wire, wire rope, or flail blades, which can break off and become dangerous projectiles.
- Never operate string trimmer without the grass deflector in place and in good condition.
- Maintain a firm grip on both handles while trimming.
- Keep string head below waist level. Never cut with the string head located over 30 in. or more above the ground.
- Clear the work area before each use. Remove all objects such as rocks, broken glass, nails, wire, or string which can be thrown or become entangled in the cutting line.
- Save these instructions. Refer to them frequently and use them to instruct others who may use this tool. If you loan someone this tool, loan them these instructions also to prevent misuse of the product and possible injury.




NOTE: SEE YOUR POWER HEAD OPERATOR'S MANUAL FOR ADDITIONAL SPECIFIC SAFETY RULES.

GRASS TRIMMER SAFETY WARNINGS







- **Do not use the machine in bad weather conditions, especially when there is a risk of lightning.** This decreases the risk of being struck by lightning.
- **Thoroughly inspect the area for wildlife where the machine is to be used.** Wildlife may be injured by the machine during operation.
- **Thoroughly inspect the area where the machine is to be used and remove all stones, sticks, wires, bones, and other foreign objects.** Thrown objects can cause personal injury.
- **Before using the machine, always visually inspect to see that the cutter or blade and the cutter or blade assembly are not damaged.** Damaged parts increase the risk of injury.
- **Follow instructions for changing accessories.** Improperly tightened blade securing nuts or bolts may either damage the blade or result in it becoming detached.
- **Wear eye, ear, and hand protection.** Adequate protective equipment will reduce personal injury by flying debris or accidental contact with the cutting line or blade.
- **While operating the machine, always wear non-slip and protective footwear. Do not operate the machine when barefoot or wearing open sandals.** This reduces the chance of injury to the feet from contact with the moving cutter line or blade.
- **While operating the machine, always wear long trousers.** Exposed skin increases the likelihood of injury from thrown objects.
- **Keep bystanders away while operating the machine.** Thrown debris can result in serious personal injury.
- **Always use two hands when operating the machine.** Hold the machine with both hands to avoid loss of control.
- **Hold the grass trimmer by the insulated gripping surfaces only, because the cutting line or blade may contact hidden wiring.** Cutting line or blades contacting a “live” wire may make exposed metal parts of the machine “live” and could give the operator an electric shock.
- **Always keep proper footing and operate the machine only when standing on the ground.** Slippery or unstable surfaces may cause a loss of balance or control of the machine.
- **Do not operate the machine on excessively steep slopes.** This reduces the risk of loss of control, slipping and falling which may result in personal injury.
- **When working on slopes, always be sure of your footing, always work across the face of slopes, never up or down and exercise extreme caution when changing direction.** This reduces the risk of loss of control, slipping and falling which may result in personal injury.
- **Keep all parts of the body away from the cutter line or blade when the machine is operating. Before you start the machine, make sure the cutting line or blade is not contacting anything.** A moment of inattention while operating the machine may result in injury to yourself or others.
- **Do not operate the machine above waist height.** This helps prevent unintended cutter or blade contact and enables better control of the machine in unexpected situations.
- **When cutting brush or saplings that are under tension, be alert for spring back.** When the tension in the wood fibres is released, the brush or sapling may strike the operator and/or throw the machine out of control.
- **Use extreme caution when cutting brush and saplings.** The slender material may catch the blade and be whipped toward you or pull you off balance.
- **Maintain control of the machine and do not touch cutters, lines or blades and other hazardous moving parts while they are still in motion.** This reduces the risk of injury from moving parts.
- **When clearing jammed material or servicing the machine, make sure the switch is off and the battery pack is removed.** Unexpected actuation of the machine while clearing jammed material or servicing may result in serious personal injury.
- **Carry the machine with the machine switched off and away from your body.** Proper handling of the machine will reduce the likelihood of accidental contact with the moving blade.
- **Only use replacement cutters, lines, cutting heads and blades specified by the manufacturer.** Incorrect replacement parts may increase the risk of breakage and injury.

SYMBOLS

The following signal words and meanings are intended to explain the levels of risk associated with this product.

SYMBOL	SIGNAL	MEANING
	DANGER:	Indicates a hazardous situation, which, if not avoided, will result in death or serious injury.
	WARNING:	Indicates a hazardous situation, which, if not avoided, could result in death or serious injury.
	CAUTION:	Indicates a hazardous situation, that, if not avoided, may result in minor or moderate injury.
	NOTICE:	(Without Safety Alert Symbol) Indicates information considered important, but not related to a potential injury (e.g. messages relating to property damage).

Some of the following symbols may be used on this product. Please study them and learn their meaning. Proper interpretation of these symbols will allow you to operate the product better and safer.

SYMBOL	NAME	EXPLANATION
	Safety Alert Symbol	Indicates a potential personal injury hazard.
	Read Operator's Manual	To reduce the risk of injury, user must read and understand operator's manual before using this product.
	Eye and Hearing Protection	Always wear eye protection with side shields marked to comply with ANSI Z87.1, along with hearing protection when operating this equipment.
	Keep Bystanders Away	Keep all bystanders at least 50 ft. away.
	Ricochet	Thrown objects can ricochet and result in personal injury or property damage.
	No Blade	Do not install or use any type of blade on a product displaying this symbol.

FEATURES

PRODUCT SPECIFICATIONS

Line Cutting Width..... 13 in. to 15 in.
Maximum Line Diameter 0.080 in. round or twisted

KNOW YOUR STRING TRIMMER ATTACHMENT

See Figure 1.

The safe use of this product requires an understanding of the information on the product and in this operator's manual as well as a knowledge of the project you are attempting. Before use of this product, familiarize yourself with all operating features and safety rules.

ADJUSTABLE CUTTING DIAMETER

The cutting diameter is adjustable from 13 in. to 15 in. by sliding the guard rail forward and backwards.

BUMP FEED TRIMMER HEAD HOUSING

The bump feed trimmer head housing allows easy line advance during trimmer operation.

FIXED LINE/BLADE HOUSING

Install the fixed line/blade housing when using pre-cut trimmer line for string trimming or the provided blades for cutting thicker weeds or pulpy stalks.

GRASS DEFLECTOR

The trimmer includes a grass deflector that helps protect you from flying debris and maintains line length for continued performance.

ASSEMBLY

UNPACKING

This product requires assembly.

- Carefully remove the items from the box. Make sure that all items listed in the **Packing List** are included.

WARNING:

Do not use this product if any parts in the **Packing List** are already assembled to your product when you unpack it. Parts on this list are not assembled to the product by the manufacturer and require customer installation. Use of a product that may have been improperly assembled could result in serious personal injury.

- Inspect the unit carefully to make sure no damage occurred during shipping.
- Do not discard the packing material until you have carefully inspected and satisfactorily operated the product.
- If any parts are damaged or missing, please call 1-800-525-2579 for assistance.

PACKING LIST

Straight Shaft Trimmer Attachment
0.080 in. Spiral Replacement Line
0.095 in. Fixed Line Segments
Grass Deflector
Grass Deflector Extension
2-in-1 Head
Flail Blades
Operator's Manual

WARNING:

If any parts are damaged or missing do not operate this product until the parts are replaced. Use of this product with damaged or missing parts could result in serious personal injury.

WARNING:

Do not attempt to modify this product or create accessories not recommended for use with this product. Any such alteration or modification is misuse and could result in a hazardous condition leading to possible serious personal injury.

WARNING:

Do not connect to power head until assembly is complete. Failure to comply could result in accidental starting and possible serious personal injury.

ATTACHING THE GRASS DEFLECTOR

See Figure 2

WARNING:

The line cut-off blade on the grass deflector is sharp. Avoid contact with the blade. Failure to avoid contact can result in serious personal injury.

ASSEMBLY

NOTICE:

Failure to attach the grass deflector prevents the line being cut to the proper length and can cause tool failure.

NOTE: Install the grass deflector before the attachment is connected to the power head.

- Remove the bolt from the grass deflector.
- Insert the tab on the mounting bracket in the slot on the grass deflector.
- Align the hole in the mounting bracket with the hole in the grass deflector.
- Insert the bolt through the mounting bracket and into the grass deflector.
- Tighten the bolt securely.
- Remove protective tape from line cut-off blade.

NOTE: Wear gloves when working with the cut-off blade..

INSTALLING THE GRASS DEFLECTOR EXTENSION

See Figure 3.

The grass deflector extension must be attached before switching from a bump head to the 2-in-1 head.

To install:

- Align the tab of the grass deflector extension with the slot of the grass deflector.
- Align holes and insert one screw. Tighten slightly with a Phillips screwdriver (not included).
- Insert second screw and tighten both screws securely.

JOINING THE POWER HEAD TO THE STRAIGHT SHAFT TRIMMER ATTACHMENT

See Figure 4.

WARNING:

Never attach or adjust any attachment while power head is running. Failure to stop the motor may cause serious personal injury.

The trimmer attachment connects to the power head by means of a coupler device.

- Stop the motor and disconnect from the power supply.
- Loosen the knob on the coupler of the power head shaft.
- Push in the button located on the trimmer attachment. Align the button with the guide recess on the power head coupler and slide the two shafts together. Rotate attachment shaft until button locks into the positioning hole.

NOTE: If the button does not release completely in the positioning hole, the shafts are not locked into place. Slightly rotate from side to side until the button is locked into place.

- Tighten the knob securely.

WARNING:

Be certain the knob is fully tightened before operating equipment. Check it periodically for tightness during use to avoid serious injury.

REMOVING THE ATTACHMENT FROM THE POWER HEAD

For removing or changing the attachment:

- Stop the motor and disconnect from the power supply.
- Loosen the knob.
- Push in the button and twist the shafts to remove and separate ends.

INSTALLING THE FIXED LINE/BLADE HOUSING

See Figures 5 - 8.

NOTE: Do not attempt to install the fixed line and the flail blades in the fixed line/blade housing at the same time.

- Stop the motor and disconnect from the power supply.
- Remove the bump feed trimmer head housing by pinching the tabs.

NOTE: The housing is spring loaded and will self eject when unlocked. It is not necessary to remove the upper string head housing from the drive shaft.

Installing the flail blades:

- Place the flail blade over the post and press down until it is fully seated.
- Align the posts on the fixed line/blade housing with the post holes on the upper housing.
- Push the housing together until the tabs snap into place and the fixed line/blade housing is secured.

Installing the fixed line:

- Fold a piece of pre-cut line in half so each half is equal in length.
- Insert the ends of the line through the eyelets in the post and pull tight.
- Repeat with the other post.
- Align the posts on the fixed line/blade housing with the post holes on the upper housing.
- Push the housing together until the tabs snap into place and the fixed line/blade housing is secured.
- The fixed line/blade housing is now ready to use.

OPERATION

WARNING:

Do not allow familiarity with this product to make you careless. Remember that a careless fraction of a second is sufficient to inflict serious injury.

WARNING:

Always wear eye protection with side shields marked to comply with ANSI Z87.1. Failure to do so could result in objects being thrown into your eyes, resulting in possible serious injury.

WARNING:

Do not use any attachments or accessories not recommended by the manufacturer of this product. The use of attachments or accessories not recommended can result in serious personal injury.

NOTICE:

Before each use, inspect the entire product for damaged, missing, or loose parts such as screws, nuts, bolts, caps, etc. Tighten securely all fasteners and caps and do not operate this product until all missing or damaged parts are replaced. Please contact customer service or a qualified service center for assistance.

APPLICATIONS

You may use this product for the purpose listed below:

- Trimming grass and weeds from around porches, fences, and decks when using with the trimmer line.

LINE TRIMMING CUT-OFF BLADE

See Figure 9.

WARNING:

The line cut-off blade on the grass deflector is sharp. Avoid contact with the blade. Failure to avoid contact can result in serious personal injury.

The trimmer is equipped with a line trimming cut-off blade on the grass deflector. For best cutting, advance line until it is trimmed to length by the cut-off blade. Advance the line whenever you hear the motor running faster than normal, or when trimming efficiency diminishes. This will maintain best performance and keep the line long enough to advance properly.

NOTICE:

Failure to attach the grass deflector prevents the line being cut to the proper length and can cause tool failure.

The wingnut, located on the guard rail of the trimmer, is used to adjust the cutting swath.

To increase the cutting swath:

- Stop the motor and disconnect from the power supply.
- Loosen the wingnut counterclockwise to adjust the guard rail.
- Slide the guard rail backward (15 in. is the rear-most position).
- Turn the wingnut clockwise and tighten to set the cutting swath.

To decrease the cutting swath:

- Stop the motor and disconnect from the power supply.
- Loosen the wingnut counterclockwise to adjust the guard rail.
- Slide the guard rail forward (13 in. is the forward-most position).
- Turn the wingnut clockwise and tighten to set the cutting swath.

OPERATING THE TRIMMER

See Figure 10.

WARNING:

The motor housing on power heads may become hot during trimmer operation. Do not rest or place your arm, hand, or any body part against the motor housing during trimmer operation. Only hold the trimmer as shown in figure 10, with all body parts clear of motor housing. Extended contact with the motor housing can result in burns or other injuries.

WARNING:

Always position the unit on the operator's right side. The use of the unit on the operator's left side will expose the user to hot surfaces and can result in possible burn injury.

WARNING:

To avoid burns from hot surfaces, never operate unit with the bottom of the motor above waist level.

Hold the trimmer with your right hand on the rear handle and your left hand on the front handle. Keep a firm grip with both hands while in operation. Trimmer should be held at a comfortable position with the rear handle about hip height.

OPERATION

Always operate trimmer with the switch trigger fully pressed. Cut tall grass from the top down. This will prevent grass from wrapping around the shaft housing and string head which may cause damage from overheating. If grass becomes wrapped around the string head, STOP THE MOTOR, remove the battery pack for cordless power heads, or disconnect the plug from the power source for electric power heads, and remove the grass.

WARNING:

Always hold the string trimmer away from the body keeping clearance between the body and the product. Any contact with the housing or string trimmer cutting head can result in burns and/or other serious personal injury.

CUTTING TIPS

See Figures 10 - 11.

- Avoid hot surfaces by always keeping the tool away from your body. (Proper operating positions shown in figure 10.)
- Keep the trimmer tilted toward the area being cut; this is the best cutting area.
- The trimmer cuts when passing the unit from left to right. This will avoid throwing debris at the operator. Avoid cutting in the dangerous area shown in figure 11.
- Use the tip of line to do the cutting; do not force string head into uncut grass.
- Wire and picket fences cause extra line wear and breakage. Stone and brick walls, curbs, and wood may wear line rapidly.
- Avoid trees and shrubs. Tree bark, wood moldings, siding, and fence posts can easily be damaged by the line.
- Do not attempt to touch or stop moving accessory. Coasting line can cause injury.

When using the flail blades:

- Do not attempt to use the fixed line/blade housing for edging. This will cause premature wear on the blades.
- Inspect trimmer head before each use and periodically during long periods of use. If either blade is bent, warped, cracked, chipped, or damaged, discontinue use immediately and replace the blades.

- Inspect the machine for damage upon striking a hard object or if there appears to be excessive vibration.
- Never cut any material over 1/4 in. diameter.
- After releasing the switch trigger, keep rotating accessory in thicker weeds or pulpy stalks until it stops. Maintain proper control until the accessory has completely stopped rotating.

WARNING:

To avoid damaging blades or fixed line/blade housing, allow at least 1 foot of clearance between the blades and any nearby objects. Never use blades near sidewalks, fencing, posts, siding, buildings, or other immovable objects. Damaged blades or accessories can cause serious personal injury.

ADVANCING THE CUTTING LINE

See Figure 12.

Line advance is controlled by tapping the string head on grass while running motor at full speed.

NOTICE:

Failure to attach the grass deflector prevents the line being cut to the proper length and can cause tool failure.

- Run with the switch trigger fully pressed.
- Tap the bump knob on ground to advance line. The line advances each time the knob is tapped. Do not hold the knob on the ground.

NOTE: The line trimming cut-off blade on the grass deflector will cut the line to the correct length.

NOTE: If the line is worn too short you may not be able to advance the line by tapping it on the ground. If so, STOP THE MOTOR, remove the battery pack for cordless power heads, or disconnect the plug from the power source for electric power heads, and manually advance the line.

To advance the cutting line manually:

- Stop the motor, remove the battery pack for cordless power heads, or disconnect the plug from the power source for electric power heads.
- Push the bump knob in while pulling on line(s) to manually advance the line.

MAINTENANCE

WARNING:

Before inspecting, cleaning, or servicing the machine, shut off motor and disconnect from power supply, and wait for all moving parts to stop. Failure to follow these instructions can result in serious personal injury or property damage.

WARNING:

Always wear eye protection with side shields marked to comply with ANSI Z87.1. Failure to do so could result in objects being thrown into your eyes, resulting in possible serious injury.

WARNING:

When servicing, use only recommended or equivalent replacement parts. Use of any other parts could create a hazard or cause product damage.

NOTICE:

Periodically inspect the entire product for damaged, missing, or loose parts such as screws, nuts, bolts, caps, etc. Tighten securely all fasteners and caps and do not operate this product until all missing or damaged parts are replaced. Please contact customer service or a qualified service center for assistance.

GENERAL MAINTENANCE

Avoid using solvents when cleaning plastic parts. Most plastics are susceptible to damage from various types of commercial solvents and may be damaged by their use. Use clean cloths to remove dirt, dust, oil, grease, etc.

WARNING:

Do not at any time let brake fluids, gasoline, petroleum-based products, penetrating oils, etc., come in contact with plastic parts. Chemicals can damage, weaken or destroy plastic which could result in serious personal injury.

LINE REPLACEMENT

See Figures 12.

Use original manufacturer's replacement line for best performance.

- Stop the motor, remove the battery pack for cordless power heads, or disconnect the plug from the power source for electric power heads.
- Turn bump knob until white markers are aligned.
- Use one piece of pre-cut trimmer line, or cut one piece of bulk trimmer line 10-16 ft. long.

- Insert the line into the eyelet on the string head housing. Push until the end of the line comes out the other side of the housing. Pull the line until equal amounts of line appear on both sides of the housing.

NOTE: Line may jam if more than 16 ft. is loaded.

- By hand rotate the bump knob clockwise to wind the line on the spool until approximately 6 in. of line is showing on each side.

NOTE: For best results, pull both line ends taut for best loading results and to help prevent line from tangling.

CLEARING LINE JAM AND/OR REPLACING BUMP KNOB

See Figures 13 - 14.

- Stop the motor, remove the battery pack for cordless power heads, or disconnect the plug from the power source for electric power heads.
- Remove the bump feed trimmer head housing by pinching the tabs.
NOTE: The housing is spring loaded and will self eject when unlocked. It is not necessary to remove the upper string head housing from the drive shaft.
- Pull the spool from the string head housing and remove the string from the spool.
- If replacing the bump knob, remove the two screws holding the bump knob onto the spool retainer using a Phillips screwdriver (not included).
- Install the new bump knob by aligning the center post with the slot in the spool retainer.
- Align holes and insert one screw. Tighten slightly with a Phillips screwdriver (not included).
- Insert second screw and tighten both screws securely.
- If you are not replacing the bump knob, skip the steps above.
- When reinstalling spool there are posts that need to be aligned with spool retainer.
- Push the housing together until the tabs snap into place and the bump feed housing is secured.
- Install line as described in **Line Replacement**.

STORING THE ATTACHMENT

- Store the attachment in a well-ventilated place that is inaccessible to children.
- Keep away from corrosive agents such as garden chemicals and deicing salts.

REPLACEMENT PARTS

0.080 in. Spiral Replacement Line (Bulk).....AC0080BL
Flail Replacement Blades.....AC053N1FB
Fixed Line Segments (Pre-cut).....AC053N1FL
Bump Knob Replacement A54BK01

Available at homedepot.com

TROUBLESHOOTING

PROBLEM	POSSIBLE CAUSE	SOLUTION
Line will not advance	Line is welded to itself.	Lubricate with silicone spray.
	Not enough line on spool.	Install more line. Refer to Line Replacement earlier in this manual.
	Line is worn too short.	Pull lines while alternately pressing down on and releasing bump knob.
	Line is tangled on spool.	Remove line from spool and rewind. Refer to Line Replacement earlier in this manual.
Grass wraps around boom housing and string head	Cutting tall grass at ground level.	Cut tall grass from the top down to prevent wrapping.
Grass deflector is difficult to adjust	Debris stuck to the grass deflector is causing an obstruction.	Scrape the debris off the grass deflector being careful not to damage it. Keep hands away from the line cut-off blade.



CALL US FIRST

For any questions about operating or maintaining your product, call the RYOBI Help Line!

Your product has been fully tested prior to shipment to ensure your complete satisfaction.

This product has a Three-year Limited Warranty for personal, family, or household use (90 days for business or commercial use). For warranty details, visit www.ryobitools.com or call (toll free) 1-800-525-2579.

RÈGLES DE SÉCURITÉ GÉNÉRALES



AVERTISSEMENT :

Lire et veiller à bien comprendre toutes les instructions. Le non-respect de toutes les instructions ci-dessous peut entraîner un choc électrique, un incendie et/ou des blessures graves.

CONSERVER CES INSTRUCTIONS

- Lire attentivement ces instructions et celles du moteur avant d'utiliser cet accessoire.
- Apprendre à connaître l'outil. Lire et veiller à bien comprendre le manuel de l'opérateur et observer les avertissements et les instructions des autocollants apposés sur l'outil.
- Ne pas laisser des enfants ou des personnes n'ayant pas reçu une formation adéquate utiliser cet outil.
- Toujours porter une protection oculaire avec écrans latéraux certifiée conforme à la norme ANSI Z87.1.
- Porter des pantalons longs, des chaussures de travail et des gants épais. Ne pas porter de vêtements amples, shorts, bijoux quels qu'ils soient et ne pas travailler pieds nus.
- Attacher les cheveux longs pour les maintenir au-dessus des épaules, afin qu'ils ne se prennent pas dans les pièces en mouvement.
- Garder les badauds, enfants et animaux domestiques à une distance minimum de 15 m (50 pi). Recommander aux personnes présentes de porter une protection oculaire.
- Rester attentif, prêter attention au travail, et faire preuve de bon sens lors de l'utilisation de tout outil électrique. Ne pas utiliser cet outil en état de fatigue ou sous l'influence d'alcool, de drogues ou de médicaments. Un moment d'inattention pendant l'utilisation d'un outil électrique peut entraîner des blessures graves.
- Ne pas travailler sous un éclairage insuffisant.
- Ne pas travailler hors de portée. Toujours se tenir bien campé et en équilibre. Des pieds bien campés et un bon équilibre permettent de mieux contrôler l'outil en cas de situation imprévue.
- Garder toutes les parties du corps à l'écart des pièces en mouvement.
- Éviter de placer ou d'appuyer le bras, la main ou toute autre partie du corps contre le logement du moteur pendant l'utilisation. Le logement du moteur peut devenir chaud pendant l'utilisation du taille bordures à fil. Un contact prolongé avec le logement du moteur peut entraîner des brûlures ou d'autres blessures.
- Toujours arrêter le moteur et le débrancher de l'alimentation électrique avant d'effectuer des réglages ou des réparations.
- Inspecter l'appareil avant chaque utilisation pour s'assurer qu'il n'y a pas de fixations desserrées ou de pièces endommagées ou manquantes. Effectuer les corrections requises avant d'utiliser l'accessoire taille-bordures. Ne pas prendre cette précaution peut entraîner des risques de blessures graves.
- Utiliser exclusivement des pièces de rechange d'origine. Toute dérogation peut entraîner un mauvais fonctionnement, des blessures graves et l'annulation de la garantie.
- N'utiliser en aucun cas un accessoire non fourni avec le produit, ou non indiqué comme pouvant être utilisé sur l'outil dans le manuel d'utilisation.
- Éviter les environnements dangereux. Ne pas utiliser l'accessoire dans des endroits humides ou mouillés. Ne pas utiliser sous la pluie.
- Utiliser l'accessoire approprié. Ne pas utiliser l'accessoire dans une application pour laquelle il n'a pas été prévu.

RÈGLES DE SÉCURITÉ PARTICULIÈRES

- Si la tête de coupe est fendue, brisée ou endommagée de quelque façon que ce soit, la remplacer. S'assurer que la tête de coupe est correctement installée et solidement assujettie. Ne pas prendre cette précaution peut entraîner des risques de blessures graves.
- S'assurer que tous les déflecteurs et toutes les poignées sont correctement installés et solidement fixés.
- N'utiliser que le fil flexible et non métallique recommandé par le fabricant. Ne jamais utiliser un fil métallique, un câble ou des lames de fléau susceptibles de devenir des projectiles dangereux.
- Ne jamais utiliser le taille-bordures si le déflecteur d'herbe n'est pas en place et en bon état.
- Tenir fermement les deux poignées pendant le travail.
- Tenir la tête de coupe au-dessous du niveau de la taille. Ne jamais couper en tenant la tête de coupe à plus de 76 cm (30 po) du sol.
- Débarrasser la zone de travail avant chaque utilisation. La débarrasser de tous les objets tels que cailloux, verre brisé, clous, fils métalliques, cordes, etc. risquant d'être projetés ou de se prendre dans la ligne de coupe.
- Conserver ces instructions. Les consulter fréquemment et les utiliser pour instruire les autres utilisateurs éventuels. Si cet outil est prêté, il doit être accompagné de ces instructions, afin d'éviter un usage incorrect et d'éventuelles blessures.




NOTE : CONSULTEZ LE MANUEL D'UTILISATION DE BLOC MOTEUR POUR DE TÊTE POUR DES SUPPLEMENTAIRE RÈGLES DE SÉCURITÉ PARTICULIÈRES.

AVERTISSEMENTS DE SÉCURITÉ POUR COUPE-HERBE







- **Ne pas utiliser la machine dans de mauvaises conditions météorologiques, surtout lorsqu'il y a un risque de foudre.** Ceci évitera le risque d'être frappé par la foudre.
- **Inspecter soigneusement la zone pour déterminer si un animal se trouve où la machine doit être utilisée.** La faune peut être blessée par la machine pendant son fonctionnement.
- **Inspecter soigneusement la zone où la machine doit être utilisée, et retirer tous les pierres, les bâtons, les fils, les os et autres objets étrangers.** Les objets projetés peuvent provoquer des blessures.
- **Avant d'utiliser la machine, toujours inspecter visuellement pour vous assurer que la ligne de coupe ou la lame et l'ensemble de ligne ou de lame ne sont pas endommagés.** Les pièces endommagées augmentent le risque de blessure.
- **Suivre les instructions pour changer les accessoires.** Les écrous ou les boulons retenant la lame mal serrés peuvent endommager la lame ou lui permettre de se détacher.
- **Porter une protection pour les yeux, les oreilles et les mains.** Un équipement de protection adéquat réduira les blessures causées par des débris volants ou un contact accidentel avec la ligne de coupe ou la lame.
- **Lors de l'utilisation de la machine, toujours porter des chaussures antidérapantes et protectrices. Ne pas utiliser la machine pieds nus ou avec des sandales ouvertes.** Cela réduit les risques de blessures aux pieds en cas de contact avec le fil de coupe ou la lame en mouvement.
- **Lors de l'utilisation de la machine, toujours porter un pantalon.** La peau exposée augmente la probabilité de blessures causées par des objets projetés.
- **Éloigner les personnes présentes lors de l'utilisation de la machine.** Les débris projetés peuvent entraîner des blessures graves.
- **Toujours utiliser les deux mains lors de l'utilisation de la machine.** Tenir la machine à deux mains pour éviter toute perte de contrôle.
- **Tenir le coupe-herbe par les surfaces de préhension isolées uniquement, car la ligne de coupe ou la lame peuvent entrer en contact avec des fils cachés.** La ligne de coupe ou les lames entrant en contact avec un fil sous tension peuvent rendre « sous tension » les parties métalliques exposées de la machine et électrocuter l'opérateur.
- **Toujours se tenir bien campé et n'utiliser la machine que lorsqu'on est debout au sol.** Les surfaces glissantes ou instables peuvent entraîner une perte d'équilibre ou de contrôle de la machine.
- **Ne pas utiliser la machine sur des pentes trop raides.** Cela réduit le risque de perte de contrôle, de glissement et de chute pouvant entraîner des blessures.
- **Lorsqu'on travaille sur des pentes, toujours s'assurer de sa position, toujours travailler à l'horizontale sur la face des pentes, pas en la montant et en la descendant, et être extrêmement prudent lors du changement de direction.** Cela réduit le risque de perte de contrôle, de glissement et de chute pouvant entraîner des blessures.
- **Tenir toutes les parties du corps à l'écart du fil de coupe ou de la lame lorsque l'appareil est en marche. Avant de démarrer la machine, s'assurer que la ligne de coupe ou la lame n'entre en contact avec rien.** Un moment d'inattention lors de l'utilisation de la machine peut entraîner des blessures à vous-même ou à autrui.
- **Ne pas utiliser la machine au-dessus de la taille.** Cela permet d'éviter tout contact involontaire de la ligne de coupe ou de la lame et permet un meilleur contrôle de la machine dans des situations inattendues.
- **Lorsqu'on coupe des broussailles ou de jeunes arbres qui sont sous tension, faire attention au rebond.** Lorsque la tension dans les fibres de bois est relâchée, la broussaille ou les jeunes arbres peuvent frapper l'opérateur ou faire perdre le contrôle sur la machine.
- **Être extrêmement prudent lors de la coupe des broussailles et des jeunes arbres.** Le matériau mince peut attraper la lame et être fouetté vers vous ou vous déséquilibrer.
- **Garder le contrôle de l'appareil et ne pas toucher les couteaux, les lignes ou les lames et les autres pièces mobiles dangereuses lorsqu'elles sont encore en mouvement.** Cela réduit le risque de blessure causée par les pièces mobiles.
- **Lorsqu'on dégage un matériau coincé ou qu'on effectue l'entretien de la machine, s'assurer que l'interrupteur est éteint et que la pile est retirée.** Un actionnement inattendu de la machine lors du nettoyage du matériau coincé ou de l'entretien peut entraîner des blessures graves.
- **Transporter la machine arrêtée loin de votre corps.** Une manipulation correcte de la machine réduira les risques de contact accidentel avec la lame en mouvement.
- **Utiliser uniquement des gouges, des lignes, des têtes de coupe et des lames de rechange spécifiées par le fabricant.** Des pièces de rechange incorrectes peuvent augmenter le risque de bris et de blessure.

SYMBOLES

Les termes de mise en garde suivants et leur signification ont pour but d'expliquer le degré de risques associé à l'utilisation de ce produit.

SYMBOLE	SIGNAL	SIGNIFICATION
	DANGER :	Indique une situation dangereuse qui, si elle n'est pas évitée, aura pour conséquences des blessures graves ou mortelles.
	AVERTISSEMENT :	Indique une situation dangereuse qui, si elle n'est pas évitée, pourrait entraîner des blessures graves ou mortelles.
	ATTENTION :	Indique une situation dangereuse qui, si elle n'est pas évitée, pourrait entraîner des blessures légères ou de gravité modérée.
	AVIS :	(Sans symbole d'alerte de sécurité) Indique les informations jugées importantes sans toutefois représenter un risque de blessure (ex. : messages concernant les dommages matériels).

Certains des symboles ci-dessous peuvent être présents sur la produit. Veiller à les étudier et à apprendre leur signification. Une interprétation correcte de ces symboles permettra d'utiliser la produit plus efficacement et de réduire les risques.

SYMBOLE	NOM	EXPLICATION
	Symbole d'alerte de sécurité	Indique un risque de blessure potentiel.
	Lire le manuel d'utilisation	Pour réduire les risques de blessures, l'utilisateur doit lire et veiller à bien comprendre le manuel d'utilisation avant d'utiliser ce produit.
	Protection oculaire et auditive	Toujours porter une protection oculaire avec écrans latéraux certifiée conforme à la norme ANSI Z87.1. ainsi qu'un protection auditive.
	Ne laisser personne s'approcher	Ne jamais laisser quiconque se tenir à moins de 15 m (50 pi) de l'outil.
	Ricochet	Les objets projetés peuvent ricocher et infliger des blessures ou causer des dommages matériels.
	Ne pas utiliser de lame	Ne jamais utiliser une lame quelconque sur un outil portant ce symbole.

CARACTÉRISTIQUES

FICHE TECHNIQUE

Largeur de coupe de ligne..... 330,2 mm à 381 mm (13 po à 15 po)
 Diamètre maximum de fil..... 2 mm (0,080 po) rond ou torsadé

CARACTÉRISTIQUES

APPRENDRE À CONNAÎTRE L'ACCESSOIRE TAILLE-BORDURES À ARBRE DROIT

Voir la figure 1.

La sécurité d'utilisation de ce produit exige la compréhension des informations apposées sur le produit et contenues dans ce manuel d'utilisation, ainsi que la connaissance du travail à exécuter. Avant d'utiliser ce produit, se familiariser avec toutes ses fonctions et règles de sécurité.

DIAMÈTRE DE COUPE RÉGLABLE

Les diamètres de coupe de 330,2 mm à 381 mm (13 à 15 po) se règlent en tournant la lame de sectionnement du fil.

BOÎTIER DE TÊTE À AVANCE PAR COUPS

Le boîtier de tête à avance par coups permet d'avancer la ligne facilement et tapant la tête de coupe contre le sol.

BOÎTIER DE FIL/LAME FIXE

Installer le boîtier de fil/lame fixe lors de l'utilisation d'un fil précoupé pour tailler les bordures ou des lames fournies pour couper les mauvaises herbes plus épaisses ou les tiges pulpeuses.

DÉFLECTEUR D'HERBE

Le coupe-herbe est équipé d'un déflecteur d'herbe pour protéger des débris volants et maintient la longueur de la ligne pour une performance continue.

ASSEMBLAGE

DÉBALLAGE

Ce produit nécessite l'assemblage.

- Avec précaution, sortir le produit et les accessoires de la boîte. S'assurer que toutes les pièces figurant sur la **Liste de contrôle d'expédition** sont incluses.

AVERTISSEMENT :

Ne pas utiliser le produit si, en le déballant, vous constatez que des éléments figurant dans la **Liste de contrôle d'expédition** sont déjà assemblés. Certaines pièces figurant sur cette liste n'ont pas été assemblées par le fabricant et exigent une installation. Le fait d'utiliser un produit qui a été assemblé de façon inadéquate peut entraîner des blessures.

- Examiner soigneusement le produit pour s'assurer que rien n'a été brisé ou endommagé en cours de transport.
- Ne pas jeter les matériaux d'emballage avant d'avoir soigneusement examiné le produit et avoir vérifié qu'il fonctionne correctement.
- Si des pièces sont manquantes ou endommagées, appeler le 1-800-525-2579.

LISTE DE CONTRÔLE D'EXPÉDITION

Arbre droit accessoire taille-bordures

Fil de remplacement spirale de 2 mm (0,080 po)

Segments de ligne fixes de 2,4 mm (0,095 po)

Déflecteur d'herbe

Rallonge du déflecteur d'herbe

Tête 2-en-1

Lames-fléaux

Manuel d'utilisation

AVERTISSEMENT :

Si des pièces manquent ou sont endommagées, ne pas utiliser ce produit avant qu'elles aient été remplacées. Le fait d'utiliser ce produit même s'il contient des pièces endommagées ou s'il lui manque des pièces peut entraîner des blessures graves.

AVERTISSEMENT :

Ne pas essayer de modifier cet produit ou de créer des accessoires non recommandés pour le produit. De telles altérations ou modifications sont considérées comme un usage abusif et peuvent créer des conditions dangereuses, risquant d'entraîner des blessures graves.

AVERTISSEMENT :

Ne pas brancher sur le bloc-moteur avant d'avoir terminé l'assemblage. Le non-respect de cet avertissement peut causer un démarrage accidentel, entraînant des blessures graves.

INSTALLATION DU DÉFLECTEUR D'HERBE

Voir la figure 2.

AVERTISSEMENT :

La lame coupe ligne du déflecteur est tranchante. Éviter de la toucher. Le contact avec la lame peut causer des blessures graves.

ASSEMBLAGE

AVIS :

Le fait de ne pas fixer le déflecteur d'herbe empêche de couper le fil à la bonne longueur et peut entraîner une défaillance de l'outil.

NOTE : Installer le déflecteur d'herbe avant de fixer l'accessoire sur l'ensemble moteur.

- Retirer le boulon du déflecteur d'herbe.
- Insérer la languette du support de montage dans la fente du déflecteur d'herbe.
- Aligner le trou du support de montage sur le trou du déflecteur d'herbe.
- Insérer le boulon dans le support et le déflecteur d'herbe.
- Serrer le boulon fermement.
- Retrait de l bande protecteur de la lame coupe ligne.

NOTE : Porter des gants pour travailler avec la lame coupe-ligne.

INSTALLATION DE LA RALLONGE DU DÉFLECTEUR D'HERBE

Voir la figure 3.

La rallonge du déflecteur d'herbe doit être attachée avant de transformer la tête à avance par frappe en tête 2-en-1.

Pour installer :

- Aligner la languette de la rallonge du déflecteur d'herbe sur la fente du déflecteur d'herbe.
- Aligner les trous et insérer une vis. Serrer légèrement avec un tournevis Phillips (non compris).
- Insérer une deuxième vis et serrer les deux vis fermement.

RACCORDEMENT DU BLOC-MOTEUR À L'ACCESSOIRE TAILLE-BORDURES À ARBRE DROIT

Voir la figure 4.

AVERTISSEMENT :

Ne jamais installer ou ajuster un accessoire lorsque le moteur tourne. Ceci pourrait causer des blessures graves.

L'accessoire taille-bordures se raccorde au bloc-moteur à l'aide d'un dispositif de couplage.

- Arrêter le moteur et débrancher de la prise secteur.
- Desserrez le bouton sur le coupleur de l'arbre de la tête motrice.
- Appuyer sur le bouton se trouvant sur l'accessoire de taille-bordures. Aligner le bouton sur la rainure guide du bloc moteur et emboîter les deux arbres. Tourner l'arbre de l'accessoire jusqu'à ce que le bouton de verrouillage s'engage dans le trou de positionnement.

NOTE : Si le bouton ne s'engage pas complètement dans le trou de positionnement, les arbres ne sont pas solidement maintenus l'un dans l'autre. Tourner légèrement les arbres dans les deux sens jusqu'à ce que le bouton s'engage complètement.

- Serrer le bouton fermement.

AVERTISSEMENT :

S'assurer que le bouton est bien serré avant d'utiliser l'outil. Vérifier de temps à autre pour éviter le risque de blessures graves.

RETRAIT DE L'ACCESSOIRE DU BLOC MOTEUR

Retrait ou remplacement de l'accessoire :

- Arrêter le moteur et débrancher de la prise secteur.
- Desserrer le bouton.
- Enfoncer le bouton et tourner les arbres pour retirer et séparer les extrémités.

INSTALLATION DU BOÎTIER DE FIL/LAME FIXE

Voir les figures 5 à 8.

NOTE : Ne pas tenter d'installer le fil fixe et les lames-fléaux dans le boîtier de fil/lame fixe en même temps.

- Arrêter le moteur et débrancher de la prise secteur.
- Retirer le boîtier de la tête de coupe à alimentation par chocs en pinçant les languettes.

NOTE : Le boîtier est à ressorts et s'éjecte automatiquement quand il est déverrouillé. Il n'est pas nécessaire de retirer le boîtier supérieur de tête de coupe hors de l'arbre d'entraînement.

Installation des lames-fléaux :

- Placer la lame-fléau sur le montant et appuyer dessus jusqu'à ce qu'elle soit complètement en position.
- Aligner les poteaux du boîtier de la ligne fixe/lame avec les rous pour poteaux du boîtier supérieur.
- Pousser le boîtier jusqu'à ce que les languettes s'enclenchent et que le boîtier de la ligne fixe/lame soit fixé.

Installation de la lame fixe :

- Plier en deux un morceau de fil pré coupé, en s'assurant que chaque moitié a la même longueur.
- Insérer les bouts du fil dans les oeillets du montant et tirer fermement.
- Répéter pour l'autre montant.
- Aligner les poteaux du boîtier de la ligne fixe/lame avec les rous pour poteaux du boîtier supérieur.
- Pousser le boîtier jusqu'à ce que les languettes s'enclenchent et que le boîtier de la ligne fixe/lame soit fixé.
- Le boîtier de fil/lame fixe est maintenant prêt à être utilisé.

UTILISATION

AVERTISSEMENT :

Ne pas laisser la familiarité avec este produit faire oublier la prudence. Ne pas oublier qu'une fraction de seconde d'inattention peut entraîner des blessures graves.

AVERTISSEMENT :

Toujours porter une protection oculaire avec écrans latéraux certifiée conforme à la norme ANSI Z87.1. Si cette précaution n'est pas prise, des objets peuvent être projetés dans les yeux et causer des lésions graves.

AVERTISSEMENT :

Ne pas utiliser d'accessoires non recommandés par le fabricant de ce produit. L'utilisation de pièces et accessoires non recommandés peut entraîner des blessures graves.

AVIS :

Avant chaque utilisation, inspecter au complet le produit afin de s'assurer qu'aucune pièce (vis, écrous, boulons, chapeaux, etc.) n'est endommagée, manquante ou desserrée. Serrer solidement toutes les pièces de fixation et les chapeaux et ne pas utiliser le produit tant que toutes les pièces manquantes ou endommagées n'ont pas été remplacées. Pour obtenir de l'aide, veuillez communiquer avec le service à la clientèle ou un centre de réparations qualifié.

APPLICATIONS

Cet produit peut être utilisé pour les application ci-dessous :

- Enlever aisément des mauvaises herbes et l'herbe du pourtour des porches, barrières, et des terrasses lors de l'utilisation de ligne de taille-bordures

LAME DE SECTIONNEMENT DE LIGNE

Voir la figure 9.

AVERTISSEMENT :

La lame coupe ligne du déflecteur est tranchante. Éviter de la toucher. Le contact avec la lame peut causer des blessures graves.

Ce taille-bordures est équipé d'une lame de sectionnement de ligne montée sur le déflecteur d'herbe. Pour obtenir une coupe optimale, faire progresser le fil jusqu'à ce qu'il soit coupé à la longueur correcte par la lame coupe-ligne. Le fil doit être avancé chaque fois que le moteur tourne à une

vitesse supérieure à la normale ou lorsque la coupe devient moins efficace. Ceci permet de maintenir une efficacité maximum et de maintenir une longueur de fil suffisante pour avancer correctement.

AVIS :

Le fait de ne pas fixer le déflecteur d'herbe empêche de couper le fil à la bonne longueur et peut entraîner une défaillance de l'outil.

L'écrou à oreilles, situé sur le garde-corps du coupe-herbe, sert à ajuster la trajectoire de coupe.

Pour augmenter la trajectoire de coupe :

- Arrêter le moteur et débrancher de la prise secteur.
- Desserrer l'écrou à oreilles en sens antihoraire pour ajuster le garde-corps.
- Glisser le garde-corps vers l'arrière (38,1 cm étant la position la plus en arrière).
- Tourner l'écrou à oreilles en sens horaire et serrer pour régler la trajectoire de coupe.

Pour réduire la trajectoire de coupe :

- Arrêter le moteur et débrancher de la prise secteur.
- Desserrer l'écrou à oreilles en sens antihoraire pour ajuster le garde-corps.
- Glisser le garde-corps vers l'avant (33,02 cm étant la position la plus en avant).
- Tourner l'écrou à oreilles en sens horaire et serrer pour régler la trajectoire de coupe.

UTILISATION DU TAILLE-BORDURES

Voir la figure 10.

AVERTISSEMENT :

Le logement du moteur peut devenir chaud pendant l'utilisation du taille bordures à fil. Éviter de placer ou d'appuyer le bras, la main ou toute autre partie du corps contre le logement du moteur pendant l'utilisation du taille bordures. Tenir l'outil uniquement dans la position illustrée à les figure 6 en s'assurant qu'aucune partie du corps ne se trouve à proximité du logement du moteur. Un contact prolongé avec le logement du moteur peut entraîner des brûlures ou d'autres blessures.

AVERTISSEMENT :

Toujours tenir l'outil à sa droite. L'utilisation à gauche exposerait l'utilisateur aux surfaces chaudes, créant ainsi des risques de brûlures.

UTILISATION

AVERTISSEMENT :

Pour éviter le contact avec les parties brûlantes, ne jamais travailler avec le bas du moteur au-dessus du niveau de la taille.

Tenir le taille-bordures avec la main droite sur la poignée arrière et la main gauche sur la poignée avant. Garder une prise ferme sur les deux poignées pendant le fonctionnement. Le taille-bordures doit être tenu dans une position confortable, la poignée arrière se trouvant à peu près à hauteur de la taille.

Toujours utiliser le taille bordures en appuyant complètement sur la gâchette. Couper les herbes hautes de haut en bas. Ceci empêchera l'herbe de s'enrouler sur le tube de l'arbre moteur et la tête de coupe, ce qui pourrait causer des dommages dus à une surchauffe. Si l'herbe s'enroule sur la tête de coupe, **ARRÊTER LE MOTEUR**, retirer le bloc-piles de l'ensemble moteur sans fil ou débrancher la fiche de la source d'alimentation s'il s'agit d'un ensemble moteur électrique, et enlever l'herbe.

AVERTISSEMENT :

Toujours tenir le taille-bordures à l'écart de soi en maintenant une distance de sécurité entre le corps et l'équipement. Tout contact avec le boîtier ou avec la tête de coupe du taille-bordures peut causer des brûlures et / ou d'autres blessures graves.

CONSEILS DE COUPE

Voir les figures 10 à 11.

- Éviter les surfaces très chaudes en maintenant toujours l'outil à l'écart du corps. Position de travail correcte illustrée à la figure 10.
- Pour une efficacité maximum, garder le taille-bordures incliné vers la zone de coupe.
- Pour couper avec le taille-bordures à arbre droit, utiliser un mouvement de balayage de gauche à droite. Ceci évite que les débris soient projetés en direction de l'opérateur. Éviter de couper dans la zone dangereuse comme le montre l'illustration à la figure 11.
- Couper avec l'extrémité de la ligne; ne pas forcer la tête de coupe dans l'herbe non coupée.
- Les palissades en métal et en bois accélèrent l'usure de la ligne et peuvent la faire casser. Les murs en pierre et brique, trottoirs et pièces de bois peuvent user la ligne rapidement.
- Contourner les arbres et buissons. L'écorce des arbres, les moulures en bois, le lambrissage et les piquets de palissades peuvent être endommagés par la ligne.
- Ne pas essayer de toucher ou d'arrêter l'accessoire en rotation. Une lame ou une ligne continuant à fonctionner après l'arrêt peut occasionner des blessures.

Lors de l'utilisation des lames-fléaux :

- Ne pas tenter l'utilisation de cet accessoire pour boîtier de fil/lame fixe pour couper les bordures. Ceci provoquera une usure prématurée des lames.
- Inspecter la tête de coupe avant chaque utilisation et périodiquement pendant les périodes d'utilisation prolongées. Cesser immédiatement l'utilisation et remplace la lame si cette dernière est pliée, voilée, fissurée, ébréchée, ou endommagée.
- Inspecter l'appareil pour déceler tout dommage lors de la frappe d'un objet dur ou s'il semble y avoir une vibration excessive.
- Ne jamais couper de tiges de plus de 6,4 mm (1/4 po) de diamètre.
- Après relâcher la gâchette, garder l'accessoire en rotation dans de l'herbe épaisse ou des tiges pulpeuses, jusqu'à ce qu'ils s'immobilise. Garder le contrôle de l'outil jusqu'à ce que l'accessoire soit complètement immobilisée.

AVERTISSEMENT :

Pour éviter d'endommager les lames ou boîtier de fil/lame fixe, laisser une distance d'au moins 304,8 mm (12 po) entre les lames et les objets avoisinants. Ne jamais utiliser de lames près de trottoirs, clôtures, poteaux, bâtiments ou autres objets fixes. Des lames ou des accessoires endommagés peuvent causer des blessures graves.

AVANCE DE LA LIGNE DE COUPE

Voir la figure 12.

L'avance de la ligne est obtenue en tapant la tête de coupe sur le gazon, le moteur tournant à plein régime.

AVIS :

Le fait de ne pas fixer le déflecteur d'herbe empêche de couper le fil à la bonne longueur et peut entraîner une défaillance de l'outil.

- Faire fonctionner le moteur à plein régime s'il s'agit d'un ensemble moteur à essence, ou en appuyant complètement sur la gâchette s'il s'agit d'un ensemble moteur sans fil ou électrique.
- Taper le capuchon du mécanisme de coup sur le sol pour faire avancer la ligne. La ligne avance chaque fois que la tête de coupe est frappée sur le sol. Ne pas maintenir le bouton contre le sol.

NOTE : La lame du déflecteur d'herbe coupe la ligne à la longueur correcte.

NOTE : Si la ligne devient trop courte, il peut ne pas être possible de la faire avancer en tapant la tête de coupe sur le sol. Dans ce cas, **ARRÊTER LE MOTEUR**, retirer le bloc-piles de l'ensemble moteur sans fil ou débrancher la fiche de la source d'alimentation s'il s'agit d'un ensemble moteur électrique, et tirer la ligne à la main.

UTILISATION

Avance manuelle de la ligne de coupe :

- Arrêter le moteur, retirer le bloc-piles de l'ensemble moteur sans fil ou débrancher la fiche de la source d'alimentation s'il s'agit d'un ensemble moteur électrique.

- Appuyer sur le capuchon du mécanisme de coup et tirer sur la ou les lignes pour sortir la longueur désirée.

ENTRETIEN

AVERTISSEMENT :

Avant d'inspecter, nettoyer ou entretenir l'équipement, couper le moteur et débrancher la fiche de la source d'alimentation, et attendre que toutes les pièces en mouvement s'arrêtent. Le non-respect de ces instructions peut entraîner des blessures graves ou des dégâts matériels.

AVERTISSEMENT :

Toujours porter une protection oculaire avec écrans latéraux certifiée conforme à la norme ANSI Z87.1. Si cette précaution n'est pas prise, des objets peuvent être projetés dans les yeux et causer des lésions graves.

AVERTISSEMENT :

Utiliser exclusivement des pièces recommandées ou équivalentes pour les réparations. L'usage de toute autre pièce peut créer une situation dangereuse ou endommager l'outil.

AVIS :

Inspecter périodiquement au complet le produit afin de s'assurer qu'aucune pièce (vis, écrous, boulons, chapeaux, etc.) n'est endommagée, manquante ou desserrée. Serrer solidement toutes les pièces de fixation et les chapeaux et ne pas utiliser le produit tant que toutes les pièces manquantes ou endommagées n'ont pas été remplacées. Pour obtenir de l'aide, veuillez communiquer avec le Service à la clientèle ou un centre de réparations qualifié.

AVERTISSEMENT :

Ne jamais laisser de liquides tels que le fluide de freins, l'essence, les produits à base de pétrole, les huiles pénétrantes, etc., entrer en contact avec les pièces en plastique. Les produits chimiques peuvent endommager, affaiblir ou détruire le plastique, ce qui peut entraîner des blessures graves.

REMPACEMENT DE LIGNE

Voir la figure 12.

Utiliser du fil de remplacement d'origine pour obtenir un rendement optimal.

- Arrêter le moteur, retirer le bloc-piles de l'ensemble moteur sans fil ou débrancher la fiche de la source d'alimentation s'il s'agit d'un ensemble moteur électrique.
- Tourner la molette verte jusqu'à ce que les marqueurs blancs soient alignés.
- Utiliser un morceau de fil de coupe prédécoupé ou couper un morceau de fil de coupe en vrac de 3,05 à 4,88 m de long.
- Insérer le fil dans l'oeillet du logement de la tête de coupe. Pousser jusqu'à ce que le fil ressorte de l'autre côté du logement. Tirer le fil jusqu'à ce qu'une quantité égale de fil apparaissent des deux côtés du logement.

NOTE : Le fil risque de coincer si la quantité enroulée est supérieure à 4,88 m (16 pi).

- Manuellement tourner la capuchon du mécanisme de coup dans le sens horaire pour enrouler le ligne autour de celle-ci jusqu'à ce qu'environ 152,4 mm (6 po) de ligne apparaisse de chaque côté de la bobine.

NOTE : Pour obtenir des résultats optimaux, tirer et tendre les deux extrémités tours afin d'améliorer les résultats d'enroulement et aider à prévenir l'enchevêtrement du ligne.

ENTRETIEN GÉNÉRAL

Éviter d'utiliser des solvants pour le nettoyage des pièces en plastique. La plupart des matières plastiques peuvent être endommagées par divers types de solvants du commerce. Utiliser un chiffon propre pour éliminer la saleté, la poussière, l'huile, la graisse, etc.

DÉCOINCEMENT DU LIGNE ET/OU REMPACEMENT DU CAPUCHON DU MÉCANISME DE COUP

Voir les figures 13 à 14.

- Arrêter le moteur, retirer le bloc-piles de l'ensemble moteur sans fil ou débrancher la fiche de la source d'alimentation s'il s'agit d'un ensemble moteur électrique.

- Retirer le boîtier de la tête de coupe à alimentation par chocs en pinçant les languettes.

NOTE: Le boîtier est à ressorts et s'éjecte automatiquement quand il est déverrouillé. Il n'est pas nécessaire de retirer le boîtier supérieur de tête de coupe hors de l'arbre d'entraînement.

- Tirer la bobine du boîtier de la tête de fil et retirer le fil de la bobine.
- Si vous remplacez la molette, retirez les deux vis qui maintiennent le bouton de déclenchement sur le support de bobine à l'aide d'un tournevis cruciforme (non fourni).
- Installer la nouvelle molette en alignant le montant central avec la fente du dispositif de retenue de la bobine.
- Aligner les trous et insérer une vis. Serrer légèrement avec un tournevis Phillips (non compris).
- Insérer une deuxième vis et serrer les deux vis fermement.

- Si vous ne remplacez pas la molette, sautez les étapes ci-dessus.
- Lors de la réinstallation de la bobine, il y a des poteaux qui doivent être alignés avec le dispositif de retenue de la bobine.
- Pousser le boîtier ensemble jusqu'à ce que les languettes s'enclenchent en place et que le boîtier de la molette soit bien fixé.
- Installer le ligne tel que décrit à la section intitulée **Remplacement de ligne.**

REMISAGE DE L'ACCESSOIRE

- Ranger l'accessoire dans un endroit bien aéré inaccessible aux enfants.
- La tenir à l'écart de produits corrosifs, tels que les produits chimiques de jardinage et le sel de dégivrage.

PIÈCES DE REMPLACEMENT

Fil spirale de 2 mm (0,080 po) (rouleau) AC0080BL
Lames de rechange pour fléau AC053N1FB
Segments de ligne fixe (prédécoupés) AC053N1FL
Remplacement de la molette A54BK01
Disponible sur le site www.homedepot.com

DÉPANNAGE

PROBLÈME	CAUSE POSSIBLE	SOLUTION
La ligne n'avance pas	Ligne soudée sur elle-même.	Lubrifier avec un produit au silicone.
	Pas assez de ligne sur la bobine.	Installer une nouvelle ligne. Voir Remplacement de ligne , plus haut dans ce manuel.
	Ligne trop courte.	Tirer les lignes en appuyant sur la bobine et en la relâchant alternativement.
	Ligne emmêlée sur la bobine.	Retirer la ligne de el capuchon et la réenrouler. Consulter la section du présent manuel qui traite du Remplacement de ligne .
L'herbe s'enroule sur le tube de l'arbre moteur et la tête de coupe	Coupe de hautes herbes au ras du sol.	Couper les herbes hautes du haut en bas.
Le déflecteur d'herbe est difficile à ajuster	Des débris coincés sur le déflecteur d'herbe causent une obstruction.	Retirer les débris du déflecteur d'herbe en veillant à ne pas l'endommager. Garder les mains loin de la lame à fil de coupe.



NOUS APPELER D'ABORD

Pour toute question concernant l'utilisation ou l'entretien utiliser ce produit, appeler le service d'assistance téléphonique RYOBI!

Le taille-bordures à été entièrement testé avant expédition pour assurer la complète satisfaction de l'utilisateur.

Ce produit est accompagné d'une garantie limitée de trois (3) ans pour utilisation personnel, familiales ou domestiques (90 jours pour utilisation affaires ou commerciaux). Pour obtenir les détails de la garantie, visiter le site www.ryobitools.com ou appeler (sans frais) au 1-800-525-2579.

REGLAS DE SEGURIDAD GENERALES



ADVERTENCIA:

Lea y comprenda todas las instrucciones. El incumplimiento de las instrucciones señaladas abajo puede causar descargas eléctricas, incendios y lesiones serias.

GUARDE ESTAS INSTRUCCIONES

- Lea detenidamente estas instrucciones y las instrucciones para su cabezal motor antes de utilizar el accesorio para recortar de eje recto.
- Familiarícese con la herramienta. Lea y comprenda el manual del operador y observe las advertencias y etiquetas de instrucciones adheridas a la herramienta.
- No permita que utilicen esta unidad niños ni personas carentes de la debida instrucción para su manejo.
- Siempre póngase protección ocular con protección lateral con la marca de cumplimiento de la norma ANSI Z87.1.
- Póngase pantalones, botas y guantes gruesos. No se ponga ropa holgada, pantalones cortos, joyería de ningún tipo ni ande descalzo.
- Recójase el cabello si lo tiene largo, de manera que le quede arriba de los hombros para evitar que se enrede en las piezas en movimiento.
- Mantenga a todos los circunstantes, niños y animales por lo menos a 15 m (50 pies) de distancia. Debe exhortarse a los circunstantes a ponerse protección para los ojos.
- Permanezca alerta, preste atención a lo que esté haciendo, y aplique el sentido común al utilizar herramientas eléctricas. No utilice la herramienta si está cansado o se encuentra bajo los efectos de alguna droga, alcohol o medicamento. Un momento de inatención al utilizar una herramienta eléctrica puede causar lesiones corporales serias.
- No utilice este producto si no hay luz suficiente.

- No estire el cuerpo para alcanzar mayor distancia. Mantenga una postura firme y buen equilibrio en todo momento. Una postura firme y un buen equilibrio permiten un mejor control de la herramienta en situaciones inesperadas.
- Mantenga todas las partes del cuerpo alejadas de toda pieza móvil.
- No apoye ni coloque el brazo, la mano ni ninguna parte del cuerpo contra la carcasa del motor mientras esté en uso. Es posible que la carcasa del motor se caliente mientras la recortadora de hilo esté en uso. El contacto prolongado con la carcasa del motor puede causar quemaduras u otras lesiones.
- Detenga siempre el motor y desconéctelo de la fuente de alimentación antes de realizar cualquier ajuste o reparación.
- Inspeccione la unidad antes de cada uso para verificar que no haya pernos sueltos no partes dañadas o faltantes. Efectúe las correcciones necesarias antes de utilizar el accesorio para recortar. La inobservancia de esta advertencia puede causar lesiones serias.
- Sólo utilice piezas de repuesto del fabricante original. De lo contrario puede originarse un mal desempeño de la herramienta y lesiones corporales, además de anularse la garantía.
- En ninguna circunstancia, use accesorio o accesorio alguno en este producto, que no se haya suministrado con el producto mismo, o que no esté identificado como apropiado para el uso con este producto en el manual del operador.
- Evite los entornos peligrosos de trabajo. No use el accesorio en lugares húmedos o mojados. No lo use en la lluvia.
- Utilice el accesorio adecuado para la tarea. No utilice este producto para ninguna función diferente de las especificadas.

REGLAS DE SEGURIDAD ESPECÍFICAS

- Reemplace el cabezal del hilo si estuviese agrietado, astillado o dañado de alguna manera. Asegúrese de que el cabezal del hilo esté debidamente instalado y firmemente asegurado. La inobservancia de esta advertencia puede causar lesiones corporales serias.
- Asegúrese que todos los deflectores y las asas estén acoplados debidamente y de manera segura.
- Utilice únicamente la cuerda no metálica recomendada por el fabricante. Nunca utilice alambre, cable metálico o cuchillas trilladoras; todos estos pueden romperse y convertirse en peligroso proyectiles.
- Nunca utilice la recortadora de hilo si el deflector de césped no está en posición y en buenas condiciones de funcionamiento.
- Al usar la recortadora, sujétela firmemente en ambas asas.

- Mantenga el cabezal del hilo por debajo del nivel de la cintura. Nunca corte con el cabezal del hilo a más de 76 cm (30 pulg.) del suelo.
- Despeje el área de trabajo cada vez antes de utilizar esta herramienta. Retire todos los objetos tales como piedras, vidrios rotos, clavos, alambre o cuerdas que pudiesen resultar lanzados o enredados en el hilo de corte.
- Guarde estas instrucciones. Consúltelas con frecuencia y empléelas para instruir a otras personas que puedan utilizar esta herramienta. Si presta a alguien esta herramienta, facilítele también las instrucciones con el fin de evitar un uso indebido del producto y posibles lesiones.




NOTA: VEA LA MANUAL DEL OPERADOR DE CABEZAL DE MOTOR PARA REGLAS DE SEGURIDAD ESPECÍFICAS ADICIONALES.

ADVERTENCIAS DE SEGURIDAD DE LA RECORTADORA DE CÉSPED







- **No use la máquina en condiciones de clima adverso, especialmente cuando haya riesgo de relámpagos.** Esto disminuye el riesgo de ser alcanzado por un relámpago.
- **Inspeccione cuidadosamente el área para cerciorarse de que no haya animales donde use la máquina.** De haberlos, podría dañarlos durante la operación.
- **Inspeccione cuidadosamente el área donde quiera usar la máquina y quite piedras, palos, alambres, huesos y otros elementos extraños.** Los objetos que salgan arrojados pueden causar lesiones personales.
- **Antes de usar la máquina, inspeccione visualmente la herramienta para asegurarse de que el cortador o la cuchilla, o el conjunto del cortador o la cuchilla no estén dañados.** Las partes dañadas incrementan el riesgo de lesiones.
- **Siga las instrucciones para cambiar los accesorios.** Las tuercas o pernos que sostienen la cuchilla mal ajustados pueden dañar la cuchilla o hacer que esta se salga.
- **Use protección ocular, para oídos y manos.** Un equipo de protección adecuado reducirá las lesiones personales por suciedad flotante o contacto accidental con la línea o cuchilla de corte.
- **Mientras use la máquina, use siempre calzado protector y que evite resbalos. No use la máquina descalzo o con calzado abierto tipo sandalias.** Esto reduce la posibilidad de lesiones en los pies por contacto con el hilo de corte o la cuchilla en movimiento.
- **Mientras usa la máquina, use siempre pantalones largos.** La piel expuesta incrementa la posibilidad de lesiones con objetos arrojados.
- **Mantenga alejados a los transeúntes mientras usa la máquina.** La suciedad arrojada puede causar lesiones personales graves.
- **Use siempre dos manos al usar la máquina.** Sostenga la máquina con ambas manos para no perder el control.
- **Sostenga la recortadora de césped de las superficies de agarre insuladas solamente, ya que la línea de corte o cuchilla podrían entrar en contacto con cables ocultos.** La línea de corte o las cuchillas que entren en contacto con un cable electrificado podrían electrificar partes expuestas de metal de la máquina, lo que podría darle al operador una descarga eléctrica.
- **Pise siempre con estabilidad y use la máquina solamente parado en el suelo.** Las superficies resbaladizas o inestables podrían causar la pérdida de estabilidad o control de la máquina.
- **No use la máquina en pendientes demasiado empinadas.** Esto reduce la posibilidad de pérdida de control, resbalos o caídas, que podrían resultar en lesiones personales.
- **Cuando trabaje en pendientes, asegúrese de pisar con firmeza, trabaje siempre en sentido transversal a la pendiente, nunca moviéndose hacia arriba o hacia abajo, y tenga extremo cuidado al cambiar de dirección.** Esto reduce el riesgo de pérdida de control, resbalos y caídas, que podrían resultar en lesiones personales graves.
- **Mantenga todas las partes del cuerpo alejadas de la línea de corte o de la hoja cuando la máquina esté en funcionamiento. Antes de iniciar la máquina, asegúrese de que la línea de corte o cuchilla no estén en contacto con nada.** Un momento de distracción al usar la máquina podría ocasionarle lesiones a usted u otras personas.
- **No use la máquina sobre la altura de la cadera.** Esto ayuda a evitar el contacto no intencionado con el cortador o la cuchilla, y otorga mayor control de la máquina en situaciones inesperadas.
- **Cuando corte arbustos o arbolitos que estén bajo tensión, tenga cuidado cuando estos vuelvan a su posición original.** Cuando se libera la tensión en las fibras de la madera, el arbusto o los arbolitos pueden golpear al operador y hacer que pierda el control de la máquina.
- **Tenga extremo cuidado al cortar arbustos o arbolitos.** El material delgado puede agarrar la hoja y darle un latigazo o hacer que pierda el equilibrio.
- **Mantenga el control de la máquina y no toque los cortadores, líneas o cuchillas y otras piezas móviles peligrosas mientras aún están en movimiento.** Esto reduce el riesgo de lesiones que puedan causarle las partes en movimiento.
- **Cuando quite material atascado o haga tareas de mantenimiento en la herramienta, asegúrese de que el interruptor esté apagado y de extraer primero la batería.** La acción inesperada de la máquina al quitar material atascado o realizar tareas de mantenimiento podría resultar en lesiones personales graves.
- **Transporte la máquina apagada y alejada del cuerpo.** La manipulación apropiada de la máquina reducirá la posibilidad de contacto accidental con la cuchilla en movimiento.
- **Utilice únicamente cortadores, líneas, cabezales de corte y cuchillas de repuesto especificados por el fabricante.** Las piezas de repuesto inapropiadas pueden incrementar el riesgo de daños materiales o lesiones.

SÍMBOLOS

Las siguientes palabras de señalización y sus significados tienen el objeto de explicar los niveles de riesgo relacionados con este producto.

SÍMBOLO	SEÑAL	SIGNIFICADO
	PELIGRO:	Indica una situación peligrosa, la cual, si no se evita, causará la muerte o lesiones serias.
	ADVERTENCIA:	Indica una situación peligrosa, la cual, si no se evita, podría causar la muerte o lesiones serias.
	PRECAUCIÓN:	Indica una situación peligrosa la cual, si no se evita, puede causar lesiones leves o moderadas.
	AVISO:	(Sin el símbolo de alerta de seguridad) e considera importante, pero no relacionada con lesiones potenciales (por ej. en relación a daños a la propiedad).

Es posible que se empleen en este producto algunos de los siguientes símbolos. Le suplicamos estudiarlos y aprender su significado para mayor seguridad al manejar este producto.

SÍMBOLO	NOMBRE	EXPLICACIÓN
	Símbolo de alerta de seguridad	Indique un risque de blessure potentiel.
	Lea el manual del operador	Para reducir el riesgo de lesiones, el usuario debe leer y comprender el manual del operador antes de usar este producto.
	Protección para los ojos y los oídos	Siempre póngase protección ocular con la marca de cumplimiento de la norma ANSI Z87.1 junto con protección auditiva.
	Mantenga alejadas a las personas presentes	Mantenga a los circunstantes a una distancia mínima de 15 m (50 pies).
	Rebote	Cualquier objeto lanzado puede rebotar y producir lesiones personales o daños físicos.
	No instale hoja de corte	No instale ni utilice ningún tipo de hoja de corte en ningún producto con este símbolo.

CARACTERÍSTICAS

ESPECIFICACIONES DEL PRODUCTO

Anchura del corte del hilo 330,2 mm a 381 mm (13 pulg. a 15 pulg.)
 Diámetro máximo del hilo..... 2 mm (0,080 pulg.) redonda o trenzada

CARACTERÍSTICAS

FAMILIARÍCESE CON EL ACCESORIO PARA RECORTAR DE EJE RECTO

Vea la figura 1.

Para usar este producto con la debida seguridad se debe comprender la información indicada en la producto misma y en este manual, y se debe comprender también el trabajo que intenta realizar. Antes de usar este producto, familiarícese con todas las características de funcionamiento y normas de seguridad del mismo.

DIÁMETRO DE CORTE AJUSTABLE

El diámetro de corte se puede ajustar de 330,2 mm (13 pulg.) a 381 mm (15 pulg.) haciendo girar la cuchilla de corte del hilo.

CARCASA DEL CABEZAL DE RECORTADORA DE ALIMENTACIÓN POR GOLPE

El carcasa del cabezal de recortadora de alimentación por golpe permite avanzar con facilidad el hilo al utilizarse la recortadora.

CARCASA DE LÍNEA FIJA/HOJA

Instale la carcasa de línea fija/hoja cuando utilice línea de recortadora precortada para el corte con hilo o las hojas provistas para cortar malezas más gruesas o tallos pulposos.

DEFLECTOR DE PASTO

La recortadora incluye un deflector de hierba que ayuda a protegerlo de los desechos que salgan despedidos y mantiene la longitud de la línea para un rendimiento continuo.

ARMADO

DESEMPAQUETADO

Este producto debe armarse.

- Extraiga cuidadosamente de la caja la producto y los accesorios. Asegúrese de que estén presentes todos los artículos enumerados en la **Lista de empaquetado**.



ADVERTENCIA:

No utilice este producto si alguna pieza incluida en la Lista de empaquetado ya está ensamblada al producto cuando lo desempaqueta. El fabricante no ensambla las piezas de esta lista en el producto. Éstas deben ser instaladas por el usuario. El uso de un producto que puede haber sido ensamblado de forma inadecuada podría causar lesiones personales graves.

- Inspeccione cuidadosamente la producto para asegurarse de que no haya sufrido ninguna rotura o daño durante el transporte.
- No deseche el material de empaquetado hasta que haya inspeccionado cuidadosamente la producto y la haya utilizado satisfactoriamente.
- Si hay piezas dañadas o faltantes, le suplicamos llamar al 1-800-525-2579, donde le brindaremos asistencia.

LISTA DE EMPAQUETADO

Accesorio para cortar de eje recto

Línea de repuesto espiral de 2 mm (0,080 pulg.)

Segmentos de línea fija de 2,4 mm (0,095 pulg.)

Deflector de pasto

Extensión del deflector de hierba

Cabezal 2 en 1

Cuchillas con dientes

Manual del operador



ADVERTENCIA:

Si falta o está dañada alguna pieza, no utilice este producto sin haber reemplazado la pieza. Usar este producto con partes dañadas o faltantes puede causar lesiones serias al operador.



ADVERTENCIA:

No intente modificar esta producto ni hacer accesorios no recomendados para la misma. Cualquier alteración o modificación constituye maltrato el cual puede causar una condición peligrosa, y como consecuencia posibles lesiones corporales serias.



ADVERTENCIA:

No conecte la unidad al cabezal motor antes de terminar de armarla. De lo contrario la unidad puede ponerse en marcha accidentalmente, con el consiguiente riesgo de lesiones serias.

MONTAJE DEL DEFLECTOR DE PASTO

Vea la figura 2.



ADVERTENCIA:

La cuchilla de cortar el hilo del deflector de pasto está afilada. Evite tocar la cuchilla. Si no evita tal contacto puede originarse lesiones corporales serias.

ARMADO

AVISO:

Si no coloca el deflector de césped, impedirá que la línea se corte a la longitud adecuada y puede ocasionar fallas en la herramienta.

NOTA: Instale el deflector de pasto antes de acoplar el accesorio al cabezal motor.

- Retire el perno del deflector de pasto.
- Introduzca la orejeta del soporte de montaje en la ranura del deflector de pasto.
- Alinee el orificio en el soporte de montaje con orificio del deflector de pasto.
- Introduzca el perno a través del soporte de montaje y en el deflector de pasto.
- Apriete firmemente el perno.
- Quite la cinta protectora de la hoja de corte.

NOTA: Use guantes mientras trabaja con la cuchilla de corte.

INSTALACIÓN DE LA EXTENSIÓN DEL DEFLECTOR DE HIERBA

Vea la figura 3.

La extensión del deflector de hierba se debe colocar antes de cambiar de un cabezal de avance por golpe al cabezal 2 en 1.

Instalación:

- Alinee la lengüeta de la extensión del deflector de hierba con la ranura del deflector de hierba.
- Alinee los agujeros e inserte un tornillo. Ajuste ligeramente con un destornillador Phillips (no incluido).
- Inserte el segundo tornillo y ajuste ambos tornillos firmemente.

ACOPLAMIENTO DEL CABEZAL DE POTENCIA AL ACCESORIO PARA RECORTAR DE EJE RECTO

Vea la figura 4.



ADVERTENCIA:

Nunca una ni ajuste ningún accesorio mientras esté funcionando el cabezal motor. Si no se detiene el motor podría causar lesiones personales graves.

El accesorio para recortar se acopla al cabezal de potencia por medio de un dispositivo acoplador.

- Apague el motor y desconecte la unidad del suministro de corriente.
- Afloje la perilla en el acoplador del eje del cabezal motor.
- Oprima el botón situado en el accesorio para recortar. Alinee el botón con el hueco guía situado en el acoplador del eje del cabezal motor y con un movimiento de deslizamiento una los dos ejes. Gire el accesorio para recortar de eje recto hasta que el botón se trabe en el orificio de posicionamiento.

NOTA: Si el botón no se sueltan completamente en el orificio de posicionamiento, significa que los ejes no están bien asegurados en su lugar. Gire levemente los ejes de un lado a otro hasta que el botón quede asegurado en su lugar.

- Apriete firmemente la perilla.



ADVERTENCIA:

Asegúrese de que esté bien apretada la perilla antes de utilizar el equipo. Verifique periódicamente el apriete de la misma durante el uso para evitar lesiones serias.

DESMONTAJE DEL ACCESORIO DEL CABEZAL MOTOR

Para desmontar o cambiar el accesorio:

- Apague el motor y desconecte la unidad del suministro de corriente.
- Afloje la perilla.
- Oprima el botón y gire los ejes para separar los extremos de los mismos.

INSTALACIÓN DE LA CARCASA DE LÍNEA FIJA/HOJA

Vea las figuras 5 a 8.

NOTA: No intente instalar la línea fija y las cuchillas dentadas en la carcasa de línea fija/hoja al mismo tiempo.

- Apague el motor y desconecte la unidad del suministro de corriente.
- Retire la carcasa del cabezal de corte con avance por golpe pellizcando las lengüetas.

NOTA: La carcasa tiene un resorte y saldrá expulsada automáticamente cuando se desbloquee. No es necesario retirar la carcasa del cabezal de hilo superior de la barra de transmisión.

Instalación de las cuchillas dentadas:

- Coloque la cuchilla dentada sobre el perno y presione hacia abajo hasta que quede bien colocada.
- Alinee los postes de la línea fija/carcasa de cuchillas con los orificios para postes de la carcasa superior.
- Empuje la carcasa hasta que las lengüetas encajen en su lugar y la carcasa de la línea fija/cuchilla esté asegurada.

Instalación de la línea fija:

- Doble un trozo de línea precortada por la mitad de modo que cada mitad tenga la misma longitud.
- Inserte los extremos de la línea en los orificios de los pernos y tire con fuerza.
- Repita el proceso con el otro perno.
- Alinee los postes de la línea fija/carcasa de cuchillas con los orificios para postes de la carcasa superior.
- Empuje la carcasa hasta que las lengüetas encajen en su lugar y la carcasa de la línea fija/cuchilla esté asegurada.
- La carcasa de línea fija/hoja ahora está lista para usarse.

FUNCIONAMIENTO

ADVERTENCIA:

No permita que su familiarización con los productos lo vuelva descuidado. Tenga presente que un descuido de un instante es suficiente para causar una lesión grave.

ADVERTENCIA:

Siempre póngase protección ocular con protección lateral con la marca de cumplimiento de la norma ANSI Z87.1. La inobservancia de esta advertencia puede permitir que los objetos lanzados hacia los ojos puedan provocar lesiones graves.

ADVERTENCIA:

No utilice ningún accesorio no recomendado por el fabricante de este producto. El empleo de aditamentos o accesorios no recomendados puede causar lesiones graves.

AVISO:

Antes de cada uso, inspeccione todo el producto para detectar partes dañadas, faltantes o sueltas, como tornillos, tuercas, pernos, tapas, etc. Apriete firmemente todos los sujetadores y las tapas y no accione este producto hasta que todas las partes faltantes o dañadas sean reemplazadas. Póngase en contacto con el servicio al cliente o con un centro de servicio calificado para obtener ayuda.

APLICACIONES

Este producto puede emplearse para los fines enumerados abajo:

- Realizar con suma facilidad el recorte de céspedes y malezas alrededor de porches, cercas, y terrazas cuando se usan línea de recortadora.

CUCHILLA DE CORTE DEL HILO

Vea la figura 9.

ADVERTENCIA:

La cuchilla de cortar el hilo del deflector de pasto está afilada. Evite tocar la cuchilla. Si no evita tal contacto puede originarse lesiones corporales serias.

Esta recortadora está equipada con una cuchilla de corte del hilo instalada en el deflector de pasto. Para obtener mejores resultados en el recorte, avance el hilo hasta que la cuchilla lo corte a la longitud apropiada. Avance el hilo siempre que escuche que el motor está funcionando más rápido de lo

normal, o cuando disminuya la eficiencia del recorte. Esto mantendrá un desempeño óptimo y mantendrá el hilo a la suficiente longitud para que avance correctamente.

AVISO:

Si no coloca el deflector de césped, impedirá que la línea se corte a la longitud adecuada y puede ocasionar fallas en la herramienta.

La tuerca mariposa, ubicada en el riel de protección de la recortadora, se utiliza para ajustar el ancho de corte.

Para aumentar el ancho de corte:

- Apague el motor y desconecte la unidad del suministro de corriente.
- Afloje la tuerca mariposa en sentido antihorario para ajustar el riel de protección.
- Deslice el riel de protección hacia atrás (38,1 cm es la posición de más atrás).
- Gire la tuerca mariposa en el sentido de las agujas del reloj y ajústela para fijar el ancho de corte.

Para disminuir el ancho de corte:

- Apague el motor y desconecte la unidad del suministro de corriente.
- Afloje la tuerca mariposa en sentido antihorario para ajustar el riel de protección.
- Deslice el riel de protección hacia adelante (33,2 cm es la posición de más adelante).
- Gire la tuerca mariposa en el sentido de las agujas del reloj y ajústela para fijar el ancho de corte.

MANEJO DE LA RECORTADORA

Vea la figura 10.

ADVERTENCIA:

Es posible que la carcasa del motor se caliente mientras la recortadora de hilo esté en uso. No apoye ni coloque el brazo, la mano ni ninguna parte del cuerpo contra la carcasa del motor mientras la recortadora esté en uso. Sólo sostenga la recortadora como se muestra en la figura 6 con todas las partes del cuerpo alejadas de la carcasa del motor. El contacto prolongado con la carcasa del motor puede causar quemaduras u otras lesiones.

ADVERTENCIA:

Siempre coloque la unidad al lado derecho de usted. Si se utiliza la unidad colocándola en el lado izquierdo del cuerpo, el usuario expone éste a superficies calientes, lo cual puede causar lesiones por quemadura.

FUNCIONAMIENTO

ADVERTENCIA:

Para evitar quemaduras causadas por tocar superficies calientes, al utilizar esta unidad nunca coloque la parte inferior de la misma arriba del nivel de la cintura.

Sujete la recortadora con la mano derecha en el mango trasero y coloque la mano izquierda en el mango delantero. Sujete firmemente la unidad con ambas manos durante la operación. Se recomienda sujetar la recortadora en una posición cómoda, con el mango trasero a la altura de la cadera.

Para utilizar la recortadora, siempre presione el gatillo del interruptor por completo. Corte la hierba alta desde la parte superior hacia abajo. Esto evitará que la hierba se enrolle alrededor del alojamiento del eje y del cabezal del hilo que pudiese causar daño por calentamiento excesivo. Si la hierba se enrolla alrededor del cabezal del hilo, DETENGA EL MOTOR, retire el paquete de baterías de las cabezal motores inalámbrico o desconecte la clavija del suministro de corriente para los cabezales motores eléctricos, y desprenda la hierba.

ADVERTENCIA:

Siempre sujete la recortadora de hilo lejos del cuerpo, manteniendo un espacio entre el cuerpo y la herramienta. Cualquier contacto del cuerpo con la armazón o el cabezal de corte de la recortadora de hilo puede producir quemaduras y/o otras lesiones serias.

SUGERENCIAS PARA CORTAR

Vea las figuras 10 a 11.

- Evite tocar las superficies calientes de la herramienta; para ello, manténgala lejos del cuerpo. (La posición correcta de manejo de la herramienta se muestra en la figura 10).
- Mantenga la recortadora inclinada hacia el área de corte; ésta es la mejor área de corte.
- La recortadora de eje curvo corta cuando se pasa la unidad de izquierda a derecha. La recortadora de eje recto corta cuando se pasa la unidad de izquierda a derecha. De esta manera se evita el lanzamiento de desechos hacia el operador. Evite cortar en el área peligrosa mostrada en la ilustración en la figura 11.
- Use la punta del hilo para efectuar el recorte; no fuerce el cabezal del hilo hacia la hierba sin cortar.
- Las cercas de alambre y de estacas causa desgaste adicional en el hilo, incluso la ruptura. Los muros de piedra y de ladrillo, los cordones y la madera pueden gastar rápidamente el hilo.
- Evite el contacto con árboles y los arbustos. La corteza de los árboles, las molduras de madera, los revestimientos de las paredes y los postes de las cercas pueden resultar dañados fácilmente por el hilo.

- No intente tocar o detener las cuchillas mientras continúe girando. Las línea en funcionamiento podrían causar lesiones.

Cuando utilice las cuchillas dentadas:

- No intente utilizar la carcasa de línea fija/hoja para bordear. Esto hará que las hojas se desgasten de forma prematura.
- Revise el cabezal de corte antes de usarlas y con cierta regularidad durante períodos de uso prolongados. Si alguna de las hojas está doblada, arqueada, rajada, astillada o dañada, deje de usarla de inmediato y reemplazar las hojas.
- Inspeccione la máquina en busca de daños al golpear un objeto duro o si parece haber vibración excesiva.
- Nunca corte ningún material de diámetro superior a 6,4 mm (1/4 pulg.).
- Después de soltar el gatillo del interruptor, mantenga el accesorio girando en maleza espesa o tallos pulposos hasta el detenga. Mantenga un control adecuado de la herramienta hasta que se detenga por completo el accesorio.

ADVERTENCIA:

Para evitar que se dañen las hojas o la carcasa de línea fija/hoja, deje al menos 304,8 mm (12 pulg.) de espacio libre entre las hojas y cualquier objeto cercano. Nunca utilice ninguna hoja cerca de aceras, cercas, postes, tinglados, edificaciones ni de ningún objeto fijo. Una hoja o accesorio dañados pueden causar lesiones personales de gravedad.

AVANCE DEL HILO DE CORTE

Vea la figuras 12.

El avance del hilo se controla golpeando levemente el cabezal del hilo contra el pasto mientras el funciona a la máxima aceleración.

AVISO:

Si no coloca el deflector de césped, impedirá que la línea se corte a la longitud adecuada y puede ocasionar fallas en la herramienta.

- Presione el gatillo del interruptor por completo.
- Golpee el perilla percusiva sobre el suelo para hacer avanzar el hilo. El hilo avanza cada vez que se golpea sobre el suelo el retén del carrete. No mantenga el perilla sobre el suelo.

NOTA: La cuchilla de cortar el hilo montada en el deflector de pasto corta el hilo a la longitud correcta.

FUNCIONAMIENTO

NOTA: Si el hilo se gasta hasta quedar muy corto quizá no pueda avanzar el hilo tras golpear el cabezal contra el suelo. Si así fuese, **DETENGA EL MOTOR**, retire el paquete de baterías de las cabezales motores inalámbrico o desconecte la clavija del suministro de corriente para los cabezales motores eléctricos y avance manualmente el hilo.

Para avanzar manualmente el hilo de corte:

- Detenga el motor, retire el paquete de baterías de las cabezales motores inalámbrico o desconecte la clavija del suministro de corriente para los cabezales motores eléctricos.
- Empuje hacia adentro el perilla percusiva mientras tira del hilo, o hilos, según sea el caso, para avanzar manualmente el hilo.

MANTENIMIENTO

ADVERTENCIA:

Antes de inspeccionar, limpiar o dar mantenimiento a la máquina, apague el motor y desconecte la herramienta del suministro de corriente, y espere hasta que se detengan todas las piezas en movimiento. El incumplimiento de estas instrucciones puede provocar lesiones personales graves o daños materiales.

ADVERTENCIA:

Siempre póngase protección ocular con protección lateral con la marca de cumplimiento de la norma ANSI Z87.1. La inobservancia de esta advertencia puede permitir que los objetos lanzados hacia los ojos puedan provocar lesiones graves.

ADVERTENCIA:

Al dar servicio a la unidad, sólo utilice piezas de repuesto recomendado o equivalente. El empleo de piezas diferentes podría causar un peligro o dañar el producto.

AVISO:

Inspeccione periódicamente todo el producto para detectar partes dañadas, faltantes o sueltas, como tornillos, tuercas, pernos, tapas, etc. Apriete firmemente todos los sujetadores y las tapas y no accione este producto hasta que todas las partes faltantes o dañadas sean reemplazadas. Póngase en contacto con el servicio al cliente o con un centro de servicio calificado para obtener ayuda.

ADVERTENCIA:

No permita en ningún momento que fluidos para frenos, gasolina, productos a base de petróleo, aceites penetrantes, etc., lleguen a tocar las piezas de plástico. Los productos químicos pueden dañar, debilitar o destruir el plástico, lo cual podría causar lesiones serias.

REABASTECIMIENTO DEL HILO

Vea la figura 12.

Use hilo de repuesto del fabricante original para obtener el mejor desempeño.

- Detenga el motor, retire el paquete de baterías de las cabezales motores inalámbrico o desconecte la clavija del suministro de corriente para los cabezales motores eléctricos.
- Girar la perilla verde de impacto hasta que las marcas blancas coincidan.
- Utilice un trozo de línea de recortadora precortado o corte un trozo de línea de recortadora a granel de 3,05 m a 4,88 m de largo.
- Inserte el hilo en el ojal de la carcasa del cabezal de hilo. Empuje hasta que el final de la línea salga por el otro lado de la carcasa. Tire de la línea hasta que aparezcan cantidades iguales de línea en ambos lados de la carcasa.

NOTA: Es posible que la línea se atasque si carga más de 4,88 metros (16 pies).

- A mano gire el perilla percusiva hacia la derecha para enrollar el hilo en éste hasta obtener aproximadamente 152,4 mm (6 pulg.) de hilo en cada lado.

NOTA: Tire de ambos extremos de la línea con firmeza para lograr mejores resultados de carga y ayudar a evitar que la línea se enrede.

MANTENIMIENTO GENERAL

Evite el empleo de solventes al limpiar piezas de plástico. La mayoría de los plásticos son susceptibles a diferentes tipos de solventes comerciales y pueden resultar dañados. Utilice paños limpios para eliminar la suciedad, el polvo, el aceite, la grasa, etc.

MANTENIMIENTO

ELIMINAR ATASCAMIENTO DEL HILO Y/O REEMPLAZAR LA PERILLA PERCUSIVA DEL CABEZAL

Vea las figuras 13 y 14.

- Detenga el motor, retire el paquete de baterías de las cabezales motores inalámbrico o desconecte la clavija del suministro de corriente para los cabezales motores eléctricos.
- Retire la carcasa del cabezal de corte con avance por golpe pellizcando las lengüetas.
NOTA: La carcasa tiene un resorte y saldrá expulsada automáticamente cuando se desbloquee. No es necesario retirar la carcasa del cabezal de hilo superior de la barra de transmisión.
- Tire del carrete de la carcasa del cabezal de la cuerda y retire la cuerda del carrete.
- Si reemplaza la perilla de impacto, retire los dos tornillos que sostienen la perilla de impacto en el retenedor del carrete con un destornillador Phillips (no incluido).
- Instale la nueva perilla de impacto alineando el poste central con la ranura del retenedor del carrete.
- Alinee los agujeros e inserte un tornillo. Ajuste ligeramente con un destornillador Phillips (no incluido).
- Inserte el segundo tornillo y ajuste ambos tornillos firmemente.

- Si no va a reemplazar la perilla de impacto, omita los pasos anteriores.
- Al reinstalar el carrete, hay postes que deben alinearse con el retenedor del carrete.
- Empuje la carcasa hasta que las lengüetas encajen en su lugar y la carcasa de avance por golpe esté asegurada.
- Coloque el hilo como se describe en la sección **Reabastecimiento del hilo**.

ALMACENAMIENTO DEL ACCESORIO

- Almacene el accesorio en un espacio bien ventilado que sea inaccesible para los niños.
- Evite que la unidad entre en contacto con agentes corrosivos como las sustancias químicas para el jardín y las sales para derretir el hielo.

PIEZAS DE REPUESTO

Línea de repuesto:

Espiral de 2 mm (0,080 pulg.) (a granel) AC0080BL
Cuchillas de repuesto para mayales AC053N1FB
Segmentos de línea fija (precortados).....AC053N1FL
Reemplazo de la perilla de impacto A54BK01

Disponibles en homedepot.com

CORRECCIÓN DE PROBLEMAS

PROBLEMA	CAUSA POSIBLE	SOLUCIÓN
No avanza el hilo	El hilo se pegó a sí mismo.	Lubrique con rociador de silicón.
	No hay suficiente hilo en el carrete.	Instale más hilo. Vea la sección Reemplazo del hilo arriba en este manual.
	El hilo se desgastó hasta quedar muy corto.	Tire de los hilos a la vez que alternadamente presiona y suelta la perilla percusiva.
	El hilo está enredado en el carrete.	Retire el hilo del carrete y vuelva a enrollarlo. Vea la sección Reemplazo del hilo arriba en este manual.
El césped se enrolla alrededor del alojamiento del eje y del cabezal del hilo	Se está cortando la hierba alta a nivel del suelo.	Corte la hierba alta desde la parte superior hacia abajo.
El deflector de hierba es difícil de ajustar	Los residuos adheridos al deflector de hierba están provocando una obstrucción.	Raspe los restos del deflector de hierba con cuidado de no dañarlo. Mantenga las manos alejadas de la cuchilla de corte.



LLÁMENOS PRIMERO

¡Si tiene preguntas sobre el funcionamiento o el mantenimiento este producto, llame al teléfono de atención al consumidor de RYOBI!

La recortadora ha sido probada enteramente antes de embarcarse para asegurar la satisfacción del consumidor.

Este producto tiene una garantía limitada de tres años para fines personales, familiares o domésticos (90 días para usos trabajo o comercial). Para obtener detalles sobre la garantía, diríjase a www.ryobitools.com o llame sin cargo al 1-800-525-2579.



EXPAND-IT
ATTACHMENTS

OPERATOR'S MANUAL
MANUEL D'UTILISATION / MANUAL DEL OPERADOR

**STRAIGHT SHAFT TRIMMER ATTACHMENT WITH 2-IN-1
HEAD ACCESSORY**

**ARBRE DROIT ACCESSOIRE TAILLE-BORDURES AVEC ACCESSOIRES TÊTE À
2-EN-1**

**ACCESORIO PARA RECORTAR DE EJE RECTO CON ACCESORIO DE
CABEZAL DE 2 EN 1**

PBLSS01

- **PARTS AND SERVICE:** Prior to requesting service or purchasing replacement parts, please obtain your item, manufacturing, and serial numbers from the product data plate.

ITEM NO.* _____ **MANUFACTURING NO.** _____
SERIAL NO. _____

** Model/item number on product may have additional letters at the end. These letters designate manufacturing information and should be provided when calling for service.*

HOW TO OBTAIN REPLACEMENT PARTS: Replacement parts can be purchased online at www.ryobitools.com or by calling 1-800-525-2579. Replacement parts can also be obtained at one of our service centers.

HOW TO LOCATE A SERVICE CENTER: Service centers can be located online at www.ryobitools.com or by calling 1-800-525-2579.

HOW TO OBTAIN CUSTOMER OR TECHNICAL SUPPORT: To obtain customer or technical support please contact us at 1-800-525-2579.

RYOBI is a trademark of Ryobi Limited and is used pursuant to a license granted by Ryobi Limited.

- **PIÈCES ET SERVICE :** Avant de faire la demande de service ou l'achat de pièces de remplacement, veuillez obtenir le numéro d'article, le numéro de fabrication et le numéro de série à partir de la plaque de données du produit.

NUMÉRO D'ARTICLE* _____ **NUMÉRO DE FABRICATIO**
NUMÉRO DE SÉRIE _____

** Le numéro de modèle/article sur le produit peut contenir des lettres supplémentaires à la fin. Ces lettres désignent les informations du fabricant et doivent être fournies lors d'un appel de demande de service.*

COMMENT OBTENIR LES PIÈCES DE REMPLACEMENT : Les pièces de remplacement peuvent être achetées en ligne sur le site www.ryobitools.com ou par téléphone au 1-800-525-2579. Les pièces de remplacement peuvent être obtenues à un de nos centres de service.

COMMENT TROUVER UN CENTRE DE SERVICE : Les centres de service peuvent être localisés en ligne au www.ryobitools.com ou en téléphonant au 1-800-525-2579.

COMMENT OBTENIR DE L'AIDE EN CONTACTANT LE SERVICE À LA CLIENTÈLE : Pour contacter le service à la clientèle pour une question technique ou pour tout autre renseignement, veuillez nous téléphoner au 1-800-525-2579.

RYOBI est une marque de Ryobi Limited et est utilisée en vertu d'une licence accordée par Ryobi Limited.

- **PIEZAS DE REPUESTO Y SERVICIO:** Antes de solicitar servicio técnico o comprar piezas de repuesto, obtenga su número de artículo, el número de fabricación y el número de serie de la placa de datos del producto.

NÚMERO DE ARTÍCULO* _____ **NÚMERO DE FABRICACIÓ**
NÚMERO DE SERIE _____

** El número de modelo/artículo que figura en el producto podría tener letras adicionales al final. Estas designan información de fabricación y deben suministrarse cuando llame para obtener asistencia o servicio.*

CÓMO OBTENER PIEZAS DE REPUESTO: Las piezas de repuesto se pueden comprar en nuestro sitio en la red mundial, en la dirección www.ryobitools.com o llamando al 1-800-525-2579. Las piezas de repuesto también se pueden obtener en uno de nuestros centros de servicio.

CÓMO LOCALIZAR UN CENTRO DE SERVICIO: Puede encontrar los centros de servicio visitando nuestro sitio en la red mundial, en la dirección www.ryobitools.com or by calling 1-800-525-2579.

CÓMO OBTENER SERVICIO O ASISTENCIA TÉCNICA AL CONSUMIDOR: Para obtener servicio o asistencia técnica al consumidor, sírvase comunicarse con nosotros llamando al 1-800-525-2579.

RYOBI es una marca de Ryobi Limited y se utiliza conforme a una licencia otorgada por Ryobi Limited.

TTI OUTDOOR POWER EQUIPMENT, INC.

999000543
5-9-25 (REV:01)

P.O. Box 1288, Anderson, SC 29622, USA
1-800-525-2579 • www.ryobitools.com