

User Manual of Product 1:

Louisville Ladder Fiberglass Extension Ladder, 28 feet,
300-pound duty rating, Type IA, FE3228, Orange

User Manual of Product 2:

Louisville Ladder LP-2200-00 Stabilizer, Silver

EXTENSION



SERIES FE3200

FIBERGLASS EXTENSION LADDER

300 LBS

LOAD CAPACITY

(Includes weight of user plus materials)



FE3220



LOUISVILLE
LADDER

BECAUSE WORK AIN'T PLAY.

MAX LOCK™



TOUGHEST
STRONGEST
LIGHTEST
RUNGLOCK **EVER**



COMPATIBLE
WITH MOST
ACCESSORY **OPTIONS**

ANSI
Meets or exceeds requirements
of American National Standards Institute
ANSI A14.5



EXTENSION



SERIES FE3200



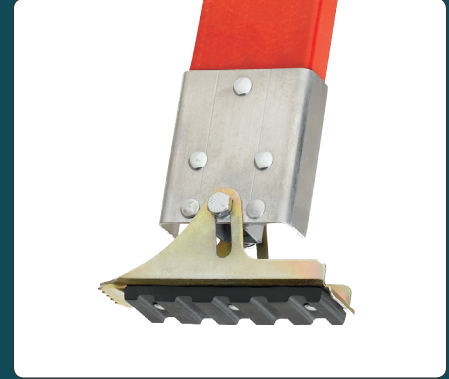
1 D-Rung

Direct rung to rail connection for a stronger connection.



2 Outside Slide Guides

Heavy duty metal slide guides



3 Swivel Shoe

Steel safety shoe with full metal boot.

Additional Accessories



Combination Pole Grip & Cable Hook

A rigid steel - plated V - shaped pole grip covered with rubber tread, combined with cable hook assembly
FE3200-E03



Combination Spur and Shoe

Rotate spur down for extra security on penetrable surfaces. FE3200-E63



Aluminum Leveler

Automatic leveler keeps ladder level on uneven terrain

FE3200-E34

For More accessories and information visit LouisvilleLadder.com or see the back of your Louisville Ladder Catalog



MODELS	RAIL DEPTH
16' - 28'	3 1/4"
32'	3 5/16"
36' - 40'	3 11/32"

MODELS	STACK HEIGHT	INSIDE WIDTH		OUTSIDE WIDTH	
		BASE	FLY	BASE	FLY
16' - 28'	6 1/4"	14 11/16"	13 11/16"	17 1/16"	16 1/16"
32' - 40'	6 1/2"	15 5/16"	14 5/16"	17 11/16"	16 11/16"

MODEL	TOTAL LENGTH	LENGTH EACH SECTION	MAX. EXTENDED LENGTH	MAX. REACH	MAX. STANDING HEIGHT	APPROX. WEIGHT (LB)	APPROX. VOLUME (FT ³)
FE3216	16'	8'	13'	15' 11"	9' 4"	31	7.8
FE3220	20'	10'	17'	19' 10"	13' 3"	42	9.6
FE3224	24'	12'	21'	23' 8"	17' 1"	51	11.5
FE3228	28'	14'	25'	27' 7"	21'	60	13.4
FE3232	32'	16'	29'	31' 5"	24' 10"	67	16.2
FE3236	36'	18'	32'	34' 4"	27' 9"	84	15.8
FE3240	40'	20'	35'	37' 3"	30' 8"	92	17.5

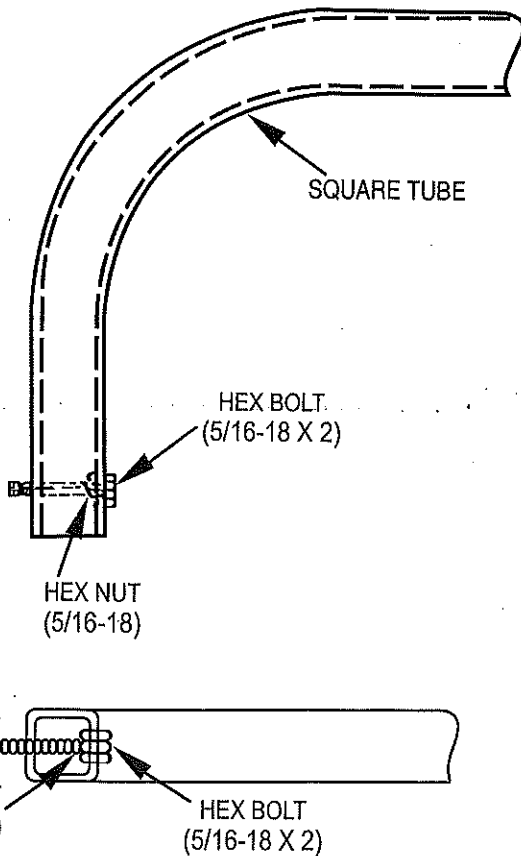
*MAX. REACH = 5-FT 7-IN PERSON WITH 12-IN VERTICAL REACH



LOUISVILLELADDER.COM

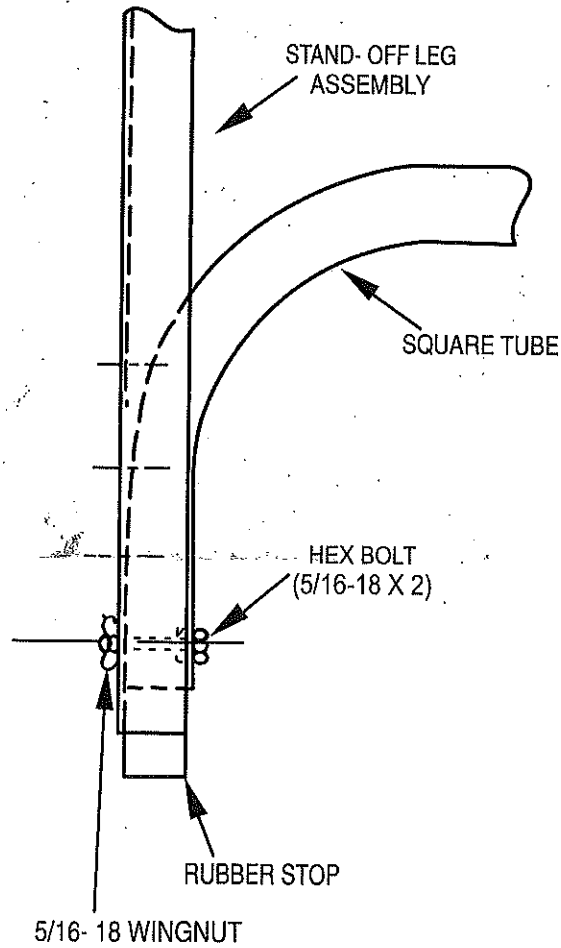
1.800.666.2811

FIGURE A



INSERT THE 5/16 - 18 X 2" HEX BOLT THROUGH THE INSIDE WALL OF THE SQUARE TUBE. USING YOUR FINGERS, PLACE 5/16 - 18 HEX NUT ON THE INSIDE OF THE SQUARE TUBE AND THREAD ONTO HEX BOLT. TIGHTEN NUT & BOLT WITH WRENCH. [SEE FIGURE A]. REPEAT THE ABOVE STEPS ON THE OTHER LEG OF THE STAND-OFF.

FIGURE B



ATTACH THE STAND-OFF LEG ASSEMBLY ONTO THE SQUARE TUBE. ALIGN THE DESIRED HOLE IN THE STAND-OFF LEG WITH THE HEX BOLT PROTRUDING THROUGH THE SQUARE TUBE. PLACE THE 5/16 - 18 WINGNUT ONTO THE HEX BOLT AS SHOWN IN FIGURE B. TIGHTEN WINGNUT FINGER TIGHT. REPEAT THE ABOVE STEPS FOR THE OTHER LEG OF STAND-OFF. BE SURE THAT BOTH STAND-OFF LEGS ASSEMBLIES ARE MOUNTED THROUGH THE SAME HOLE, SO THE STAND-OFF LEG ASSEMBLIES WILL BE EVEN.