



# REGISTER YOUR TOOLS



For quick tool registration and service – scan and download the RYOBI app.

<http://register.ryobitools.com>

1-800-525-2579

## OPERATOR'S MANUAL

## MANUEL D'UTILISATION

## MANUAL DEL OPERADOR

### ORBITAL JIG SAW

### SCIE SAUTEUSE ORBITALE

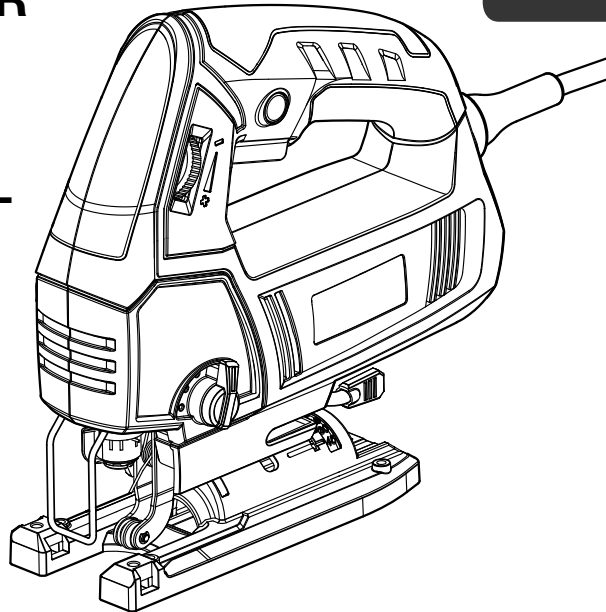
### SIERRA DE VAIVÉN ORBITAL

#### VARIABLE SPEED

#### VITESSE VARIABLE

#### VELOCIDAD VARIABLE

### JS481L / JS481LG



EN MEXICO:  
PARA MÁS INFORMACIÓN  
[WWW.RYOBITOOLS.MX](http://WWW.RYOBITOOLS.MX)  
CENTROS DE SERVICIO  
800-843-1111

#### TABLE OF CONTENTS

\*\*\*\*\*

- General Power Tool Safety Warnings ..... 2-3
- Jig Saw Safety Warnings..... 3
- Symbols..... 4
- Electrical..... 5
- Features..... 6
- Assembly..... 6
- Operation..... 6-8
- Adjustments ..... 9
- Maintenance..... 10
- Accessories ..... 10
- Illustrations ..... 11-13
- Parts Ordering / Service ..... Back Page

#### TABLE DES MATIÈRES

\*\*\*\*\*

- Règles de sécurité relatives aux outils électriques ..... 2-3
- Avertissements de sécurité relatifs au scie sauteuse..... 3
- Symboles..... 4
- Caractéristiques électriques..... 5
- Caractéristiques ..... 6
- Assemblage..... 6
- Utilisation..... 6-9
- Réglages..... 9
- Entretien ..... 10
- Accessoires ..... 10
- Illustrations ..... 11-13
- Commande de pièces / réparation.....Page arrière

#### ÍNDICE DE CONTENIDO

\*\*\*\*\*

- Advertencias de seguridad para herramientas eléctricas..... 2-3
- Advertencias de seguridad sierra de vaivén ..... 3
- Símbolos ..... 4
- Aspectos eléctricos..... 5
- Características..... 6
- Armado..... 6
- Funcionamiento..... 6-9
- Ajustes..... 9
- Mantenimiento..... 10
- Accesorios..... 10
- Ilustraciones ..... 11-13
- Pedidos de piezas / servicio..... Pág. posterior

**⚠ WARNING:** To reduce the risk of injury, the user must read and understand the operator's manual before using this product.

**⚠ AVERTISSEMENT :** Pour réduire les risques de blessures, l'utilisateur doit lire et veiller à bien comprendre le manuel d'utilisation avant d'employer ce produit.

**⚠ ADVERTENCIA:** Para reducir el riesgo de lesiones, el usuario debe leer y comprender el manual del operador antes de usar este producto.

**SAVE THIS MANUAL FOR FUTURE REFERENCE**

**CONSERVER CE MANUEL POUR FUTURE RÉFÉRENCE**

**GUARDE ESTE MANUAL PARA FUTURAS CONSULTAS**

# GENERAL POWER TOOL SAFETY WARNINGS

## WARNING

Read all safety warnings and all instructions. Failure to follow the warnings and instructions may result in electric shock, fire and/or serious injury.

### Save all warnings and instructions for future reference.

The term “power tool” in the warnings refers to your mains-operated (corded) power tool or battery-operated (cordless) power tool.

## WORK AREA SAFETY

- **Keep work area clean and well lit.** Cluttered or dark areas invite accidents.
- **Do not operate power tools in explosive atmospheres, such as in the presence of flammable liquids, gases or dust.** Power tools create sparks which may ignite the dust or fumes.
- **Keep children and bystanders away while operating a power tool.** Distractions can cause you to lose control.

## ELECTRICAL SAFETY

- **Power tool plugs must match the outlet. Never modify the plug in any way. Do not use any adapter plugs with earthed (grounded) power tools.** Unmodified plugs and matching outlets will reduce risk of electric shock.
- **Avoid body contact with earthed or grounded surfaces such as pipes, radiators, ranges and refrigerators.** There is an increased risk of electric shock if your body is earthed or grounded.
- **Do not expose power tools to rain or wet conditions.** Water entering a power tool will increase the risk of electric shock.
- **Do not abuse the cord. Never use the cord for carrying, pulling or unplugging the power tool. Keep cord away from heat, oil, sharp edges or moving parts.** Damaged or entangled cords increase the risk of electric shock.
- **When operating a power tool outdoors, use an extension cord suitable for outdoor use.** Use of a cord suitable for outdoor use reduces the risk of electric shock.
- **If operating a power tool in a damp location is unavoidable, use a ground fault circuit interrupter (GFCI) protected supply.** Use of a GFCI reduces the risk of electric shock.

## PERSONAL SAFETY

- **Stay alert, watch what you are doing and use common sense when operating a power tool. Do not use a power tool while you are tired or under the influence of drugs, alcohol or medication.** A moment of inattention while operating power tools may result in serious personal injury.
- **Use personal protective equipment. Always wear eye protection.** Protective equipment such as dust mask,

non-skid safety shoes, hard hat, or hearing protection used for appropriate conditions will reduce personal injuries.

- **Prevent unintentional starting. Ensure the switch is in the off-position before connecting to power source and/or battery pack, picking up or carrying the tool.** Carrying power tools with your finger on the switch or energising power tools that have the switch on invites accidents.
- **Remove any adjusting key or wrench before turning the power tool on.** A wrench or a key left attached to a rotating part of the power tool may result in personal injury.
- **Do not overreach. Keep proper footing and balance at all times.** This enables better control of the power tool in unexpected situations.
- **Dress properly. Do not wear loose clothing or jewelry. Keep your hair, clothing and gloves away from moving parts.** Loose clothes, jewellery or long hair can be caught in moving parts.
- **If devices are provided for the connection of dust extraction and collection facilities, ensure these are connected and properly used.** Use of dust collection can reduce dust-related hazards.
- **Do not wear loose clothing or jewelry. Contain long hair.** Loose clothes, jewelry, or long hair can be drawn into air vents.
- **Do not use on a ladder or unstable support.** Stable footing on a solid surface enables better control of the power tool in unexpected situations.

## POWER TOOL USE AND CARE

- **Do not force the power tool. Use the correct power tool for your application.** The correct power tool will do the job better and safer at the rate for which it was designed.
- **Do not use the power tool if the switch does not turn it on and off.** Any power tool that cannot be controlled with the switch is dangerous and must be repaired.
- **Disconnect the plug from the power source and/or the battery pack from the power tool before making any adjustments, changing accessories, or storing power tools.** Such preventive safety measures reduce the risk of starting the power tool accidentally.
- **Store idle power tools out of the reach of children and do not allow persons unfamiliar with the power tool or these instructions to operate the power tool.** Power tools are dangerous in the hands of untrained users.
- **Maintain power tools. Check for misalignment or binding of moving parts, breakage of parts and any other condition that may affect the power tool’s operation. If damaged, have the power tool repaired before use.** Many accidents are caused by poorly maintained power tools.

# GENERAL POWER TOOL SAFETY WARNINGS

- **Keep cutting tools sharp and clean.** Properly maintained cutting tools with sharp cutting edges are less likely to bind and are easier to control.
- **Use the power tool, accessories and tool bits etc. in accordance with these instructions, taking into account the working conditions and the work to be performed.** Use of the power tool for operations different from those intended could result in a hazardous situation.

## SERVICE




- **Have your power tool serviced by a qualified repair person using only identical replacement parts.** This will ensure that the safety of the power tool is maintained.
- **When servicing a power tool, use only identical replacement parts. Follow instructions in the Maintenance section of this manual.** Use of unauthorized parts or failure to follow Maintenance instructions may create a risk of shock or injury.

# JIG SAW SAFETY WARNINGS








- **Hold power tool by insulated gripping surfaces, when performing an operation where the cutting accessory may contact hidden wiring or its own cord.** Cutting accessory contacting a “live” wire may make exposed metal parts of the power tool “live” and could give the operator an electric shock.
- **Use clamps or another practical way to secure and support the workpiece to a stable platform.** Holding the work by hand or against your body leaves it unstable and may lead to loss of control.
- **Know your power tool. Read operator’s manual carefully. Learn its applications and limitations, as well as the specific potential hazards related to this tool.** Following this rule will reduce the risk of electric shock, fire, or serious injury.
- **Always wear eye protection with side shields marked to comply with ANSI Z87.1.** Following this rule will reduce the risk of serious personal injury.
- **Protect your lungs. Wear a face or dust mask if the operation is dusty.** Following this rule will reduce the risk of serious personal injury.
- **Protect your hearing. Wear hearing protection during extended periods of operation.** Following this rule will reduce the risk of serious personal injury.
- **Inspect tool cords periodically and, if damaged, have repaired at your nearest authorized service center. Constantly stay aware of cord location.** Following this rule will reduce the risk of electric shock or fire.
- **Check damaged parts. Before further use of the tool, a guard or other part that is damaged should be carefully checked to determine that it will operate properly and perform its intended function. Check for alignment of moving parts, binding of moving parts, breakage of parts, mounting, and any other conditions that may affect its operation. A guard or other part that is damaged should be properly repaired or replaced by an authorized service center.** Following this rule will reduce the risk of shock, fire, or serious injury.
- **Make sure your extension cord is in good condition. When using an extension cord, be sure to use one heavy enough to carry the current your product will draw. A wire gauge size (A.W.G.) of at least 16 is recommended for an extension cord 50 feet or less in length. A cord exceeding 100 feet is not recommended. If in doubt, use the next heavier gauge. The smaller the gauge number, the heavier the cord. An undersized cord will cause a drop in line voltage resulting in loss of power and overheating.**
- **Inspect for and remove all nails from lumber before using this tool.** Following this rule will reduce the risk of serious personal injury.
- **If the power supply cord is damaged, it must be replaced only by the manufacturer or by an authorized service center to avoid risk.**
- **Save these instructions.** Refer to them frequently and use them to instruct others who may use this product. If you loan someone this product, loan them these instructions also.

# SYMBOLS

The following signal words and meanings are intended to explain the levels of risk associated with this product.

SYMBOL	SIGNAL	MEANING
	<b>DANGER:</b>	Indicates a hazardous situation, which, if not avoided, will result in death or serious injury.
	<b>WARNING:</b>	Indicates a hazardous situation, which, if not avoided, could result in death or serious injury.
	<b>CAUTION:</b>	Indicates a hazardous situation, that, if not avoided, may result in minor or moderate injury.
	<b>NOTICE:</b>	(Without Safety Alert Symbol) Indicates information considered important, but not related to a potential injury (e.g. messages relating to property damage).

Some of the following symbols may be used on this product. Please study them and learn their meaning. Proper interpretation of these symbols will allow you to operate the product better and safer.

SYMBOL	NAME	DESIGNATION/EXPLANATION
	Safety Alert	Indicates a potential personal injury hazard.
	Read Operator's Manual	To reduce the risk of injury, user must read and understand operator's manual before using this product.
	Eye Protection	Always wear eye protection with side shields marked to comply with ANSI Z87.1.
	Wet Conditions Alert	Do not expose to rain or use in damp locations.
	No Hands Symbol	Failure to keep your hands away from the blade will result in serious personal injury.
	Hot Surface	To reduce the risk of injury or damage, avoid contact with any hot surface.
V	Volts	Voltage
A	Amperes	Current
Hz	Hertz	Frequency (cycles per second)
W	Watt	Power
min	Minutes	Time
~	Alternating Current	Type of current
n <sub>0</sub>	No Load Speed	Rotational speed, at no load
	Class II Construction	Double-insulated construction
.../min	Per Minute	Revolutions, strokes, surface speed, orbits etc., per minute

# ELECTRICAL

## DOUBLE INSULATION

Double insulation is a concept in safety in electric power tools, which eliminates the need for the usual three-wire grounded power cord. All exposed metal parts are isolated from the internal metal motor components with protecting insulation. Double insulated tools do not need to be grounded.

### **WARNING:**

The double insulated system is intended to protect the user from shock resulting from a break in the tool's internal insulation. Observe all normal safety precautions to avoid electrical shock.

**NOTE:** Servicing of a product with double insulation requires extreme care and knowledge of the system and should be performed only by a qualified service technician. For service, we suggest you return the product to your nearest authorized service center for repair. Always use original factory replacement parts when servicing.

## ELECTRICAL CONNECTION

This product has a precision-built electric motor. It should be connected to a power supply that is **120 V, AC only (normal household current), 60 Hz**. Do not operate this product on direct current (DC). A substantial voltage drop will cause a loss of power and the motor will overheat. If the product does not operate when plugged into an outlet, double-check the power supply.

## EXTENSION CORDS

When using a power tool at a considerable distance from a power source, be sure to use an extension cord that has the capacity to handle the current the product will draw. An undersized cord will cause a drop in line voltage, resulting in overheating and loss of power. Use the chart to determine the minimum wire size required in an extension cord. Only round jacketed cords listed by Underwriter's Laboratories (UL) should be used.

When working outdoors with a product, use an extension cord that is designed for outside use. This type of cord is designated with "W-A" or "W" on the cord's jacket.

Before using any extension cord, inspect it for loose or exposed wires and cut or worn insulation.

\*\*Ampere rating (on product data plate)

Cord Length	Wire Size (A.W.G.)					
	0-2.0	2.1-3.4	3.5-5.0	5.1-7.0	7.1-12.0	12.1-16.0
25'	16	16	16	16	14	14
50'	16	16	16	14	14	12
100'	16	16	14	12	10	—

\*\*Used on 12 gauge - 20 amp circuit.

**NOTE:** AWG = American Wire Gauge

### **WARNING:**

Keep the extension cord clear of the working area. Position the cord so that it will not get caught on lumber, tools, or other obstructions while you are working with a power tool. Failure to do so can result in serious personal injury.

### **WARNING:**

Check extension cords before each use. If damaged replace immediately. Never use the product with a damaged cord since touching the damaged area could cause electrical shock resulting in serious injury.

# FEATURES

## PRODUCT SPECIFICATIONS

Input .....	120V AC Only, 60 Hz, 4.8 Amps
No Load Speed .....	350 - 3,000/min.
Stroke Length .....	3/4 in.
Orbital Settings.....	4

# ASSEMBLY

### **WARNING:**

Do not use this product if it is not completely assembled or if any parts appear to be missing or damaged. Use of a product that is not properly and completely assembled or with damaged or missing parts could result in serious personal injury.

### **WARNING:**

Do not attempt to modify this product or create accessories or attachments not recommended for use with this product. Any such alteration or modification is misuse and could result in a hazardous condition leading to possible serious personal injury.

If any parts are damaged or missing, please call 1-800-525-2579 for assistance. In Mexico, please call 01-800-843-1111.

# OPERATION

### **WARNING:**

Do not allow familiarity with this product to make you careless. Remember that a careless fraction of a second is sufficient to inflict serious injury.

### **WARNING:**

Always wear eye protection with side shields marked to comply with ANSI Z87.1. Failure to do so could result in objects being thrown into your eyes and other possible serious injuries.

### **WARNING:**

Do not use any attachments or accessories not recommended by the manufacturer of this tool. The use of attachments or accessories not recommended can result in serious personal injury.

## INSTALLING BLADE

See Figure 1, page 11.

**NOTE:** The jig saw is designed for T-shank blades only.

### To install blade:

- Unplug the saw.
- Rotate orbital adjustment knob to position 3.
- Rotate the rapid change blade clamp so that the slot in the blade clamp is aligned with the slot in the blade support roller.
- Holding the blade clamp in place, insert the saw blade as far as possible into the slot in the blade clamp body and blade support roller.
- Check to make sure the back of the saw blade is centered in the slot of the blade support roller and blade clamp.
- Release the blade clamp. Make sure the blade is securely in place.

**NOTE:** Check that the blade is inserted fully and completely secured. Blade will lock into position when correctly installed. **Do not use the tool if the blade is not installed correctly.**

- Rotate orbital adjustment knob back to desired position.

### To remove blade:

- Unplug the saw.
- Allow blade to cool.

## APPLICATIONS

You may use this product for the purposes listed below:

- Cutting all types of wood products (lumber, plywood, paneling, composition board and hard board)
- Cutting thin sheet metal (metal cutting blade not included)
- Cutting plastics and laminates

# OPERATION

- Rotate the rapid change blade clamp so that the slot in the blade clamp is aligned with the slot in the blade support roller.
- Remove the blade.

## STARTING/STOPPING THE SAW

See Figure 2, page 11.

To turn the saw **ON**, depress the switch trigger. Release the switch trigger to turn the saw **OFF**.

## LOCK-ON BUTTON

See Figure 2, page 11.

The saw is equipped with a lock-on feature which is convenient when continuous cutting for extended periods of time is required.

### To lock-on:

- Depress the switch trigger.
- Push in and hold the lock-on button located on the side of the handle.
- Release switch trigger.
- Release lock-on button.

### To release:

- Depress the switch trigger to release.

If you have the lock-on feature engaged during use and the saw becomes disconnected from power supply, disengage the lock-on feature immediately.

### **WARNING:**

Before connecting the saw to power supply source, always check to be sure it is not in lock-on position (depress and release switch trigger). Failure to do so could result in accidental starting of the saw resulting in possible serious injury. Also, do not lock the trigger on jobs where the saw may need to be stopped suddenly.

## VARIABLE SPEED CONTROL SELECTOR

See Figure 3, page 11.

The saw has a variable speed control selector designed to allow operator control and adjustment of speed and power limits. The speed and power of the saw can be increased or decreased by rotating the variable speed control selector in the direction of the arrows shown in figure 3.

**NOTE:** Hold the saw in normal operating position and turn the variable speed control selector to the positive (+) symbol to increase speed and power. Turn to the negative (-) symbol to decrease speed and power.

If you desire to lock the switch on at a given speed, depress the switch trigger, push in and hold the lock-on button, and release the switch trigger. Next, adjust the variable speed control selector until the desired speed is reached.

Avoid running the saw at low speeds for extended periods of time. Running at low speeds under constant usage may cause your saw to become overheated. If this occurs, cool your saw by running it without a load and at full speed.

The following guidelines may be used in determining correct speed for various applications:

**SLOW** speed is ideal when minimum speed and power is required, for example, starting cuts.

**MEDIUM** speed is suitable for cutting hard metals, plastics, and laminates.

**MAX** speed produces best results when maximum power is required, for example, cutting wood. Soft metals such as aluminum, brass, and copper may also require high speeds.

### **WARNING:**

Do not insert saw blade into air vents. They could come in contact with electrically live internal parts, and cause electrical shock resulting in serious injury.

## LED LIGHT

See Figure 4, page 11.

The LED light illuminates when the switch trigger is depressed to give you a clear view of the cut line on your work surface.

## GENERAL CUTTING

Rest the front of the saw base on the workpiece and align cutting edge of the blade with the line on your workpiece. Make sure the power cord is out of your way and not in the line of cut. Start the saw and move it forward on the work surface. Apply downward pressure to keep the saw steady and only enough forward pressure to keep the blade cutting. **Do not force the saw.** Applying too much forward pressure to the saw may overheat the motor and break saw blades.

## ORBITAL MOTION

See Figures 5 and 6, page 11 - 12.

The blade of the saw cuts in an orbital motion. This feature is adjustable and provides faster, more efficient cutting. With orbital motion the blade cuts through your work in the upstroke but does not drag across your work in the downstroke. To adjust the orbital motion, rotate the orbital adjustment knob to the desired setting. Refer to the chart in Figure 6 to find the right setting for the job you are attempting.

**NOTE:** Setting the orbital position to a lower setting will result in a smoother finish but slower cut. A higher setting will result in a rougher finish but faster cut.

# OPERATION

## STRAIGHT CUT

See Figures 7, page 13.

A straight cut can be made by clamping a piece of wood or straight-edge to the workpiece and guiding the edge of the saw against it. Make the cut from one direction only. Don't cut halfway and complete the cut from the opposite end.

### **WARNING:**

To avoid possible serious injury, keep hands and fingers from between the gear housing and saw blade clamp, and keep the guard in place.

### **WARNING:**

Excessive side pressure to the blade could result in broken blades or damage to the material being cut.

## ANGLE CUTTING (BEVEL CUTTING)

See Figure 8, page 13.

Bevel cutting angles may be adjusted from 0° to 45° right or left. Angles for cuts from 0° to 45° in 15° increments are marked on a scale on both the left and right side of the base. An arrow under the motor assembly provides an indicator at each of the above mentioned 15° increments. A protractor is recommended when accurate cuts are required.

- Unplug the saw.
- Unlock the base by moving the base adjustment lever forward.
- Slide the base forward to release it from the 0° detent position.
- Align the mark of the desired angle with the indicator arrow located on the housing.

**NOTE:** For a 0° cut, slide the base back until it locks into the 0° detent position.

- Once the desired angle is reached, tighten the base adjustment lever by moving it back under the motor assembly.

## SCROLL CUTTING

See Figure 9, page 13.

Scroll cuts can be made with the jig saw by guiding the direction of the cut with applied pressure on the handle as shown.

**NOTE:** Tighter tolerance scroll cutting may require the use of a scroll cutting blade (not included).

### **WARNING:**

Excessive side pressure to the blade could result in broken blades or damage to the material being cut.

## PLUNGE CUTTING

See Figure 10, page 13.

**NOTE:** Use only a 7-teeth-per-inch blade for this type of cut.

### **WARNING:**

To avoid loss of control, broken blades, or damage to the material being cut, always use extreme caution when making plunge cuts. We do not recommend plunge cutting on materials other than wood.

- Mark the line of cut clearly on the workpiece.
- Set the orbit adjustment to "0".
- Set the cutting angle at 0°.
- Tilt the saw forward so that it rests on the front edge of the base and blade will not come in contact with the workpiece when the saw is turned on.
- Make sure the blade is inside the area to be cut.
- Using high speed, start the saw and slowly lower the blade into the workpiece until the blade cuts through the wood.
- Continue lowering the blade into the workpiece until the base rests flat on the work surface, then move the saw forward to complete the opening.

## METAL CUTTING

See Figure 11, page 13.

**NOTE:** The jig saw has to be in the no-orbit mode to cut metals and conduit. Set the orbital adjustment knob to "0." Refer to the **Orbital Motion** section earlier in this manual for more details.

Many kinds of metals can be cut with the saw using a metal blade (not included). Be careful not to twist or bend the blades. **Do not force.** If the blade chatters or vibrates excessively, use a finer-tooth metal-cutting blade. If blade heats excessively, use lower speed. If blade teeth become filled or clogged when cutting soft metals, such as aluminum, use a coarser-tooth blade or lower speed. We recommend use of lubricant when cutting metals to keep blades cool, increase cutting action, and prolong blade life. Clamp the work firmly and saw close to the clamping point to eliminate any vibration of the work being cut.

When cutting conduit, pipe, or angle iron, clamp work in a vise if possible and saw close to the vise. To cut thin sheet materials, "sandwich" the material between hardboard or plywood and clamp the layers to eliminate vibration and material tearing. By doing this, the material will be cut smoothly. Lay out your pattern or line of cut on top of the "sandwich."

**NOTE:** When cutting metal, keep exposed portion of saw bar clean and free of metal chips by wiping frequently with an oily cloth. Use extreme caution in disposing of oily cloth after completion of job to prevent potential fire hazard.

# ADJUSTMENTS

## **WARNING:**

Before performing any adjustment, make sure the product is unplugged from the power supply. Failure to heed this warning could result in serious personal injury.

### **TIGHTENING BASE ADJUSTMENT LEVER**

See *Figures 12 - 13, page 13.*

The base adjustment lever may need occasional tightening.

- Unplug the saw.
- If attached, remove the vacuum attachment.

- Remove the base plate screws and base plate by removing the four base screws to expose the adjusting nut.
- Release the base adjustment lever by pulling it forward.
- Tighten the adjusting nut 1/4 of a turn in the clockwise direction.
- Engage the adjustment lever by pushing it back under the motor assembly and check the base for any movement.
- If the base is still loose, release the adjustment lever and tighten the adjusting nut another 1/4 of a turn. Repeat until the base is secure after engaging the adjustment lever.
- Reinstall the base plate and four base plate screws.

# MAINTENANCE

## **WARNING:**

When servicing, use only identical replacement parts. Use of any other parts could create a hazard or cause product damage.

## **WARNING:**

Always wear eye protection with side shields marked to comply with ANSI Z87.1. Failure to do so could result in objects being thrown into your eyes and other possible serious injuries.

### GENERAL MAINTENANCE

Avoid using solvents when cleaning plastic parts. Most plastics are susceptible to damage from various types of commercial solvents and may be damaged by their use. Use clean cloths to remove dirt, dust, oil, grease, etc.

## **WARNING:**

Do not at any time let brake fluids, gasoline, petroleum-based products, penetrating oils, etc., come in contact with plastic parts. Chemicals can damage, weaken or destroy plastic which can result in serious personal injury.

Electric tools used on fiberglass material, wallboard, spackling compounds, or plaster are subject to accelerated wear and possible premature failure because the fiberglass chips and grindings are highly abrasive to bearings, brushes, commutators, etc. Consequently, we do not recommend using this product for extended work on these types of materials. However, if you do work with any of these materials, it is extremely important to clean the product using compressed air.

### LUBRICATION

All of the bearings in this product are lubricated with a sufficient amount of high grade lubricant for the life of the unit under normal operating conditions. Therefore, no further lubrication is required.

### POWER SUPPLY CORD REPLACEMENT

If replacement of the power supply cord is necessary, this must be done by an authorized service center in order to avoid a safety hazard.

# ACCESSORIES

Look for these accessories where you purchased this product:

- Edge Guide Kit with Base Knobs .....039076003101
- Dust Port .....039076001040

## **WARNING:**

Current attachments and accessories available for use with this product are listed above. Do not use any attachments or accessories not recommended by the manufacturer of this product. The use of attachments or accessories not recommended can result in serious personal injury.

**NOTE: ILLUSTRATIONS START ON PAGE 11  
AFTER FRENCH AND SPANISH LANGUAGE SECTIONS.**

**This product has a Three-year Limited Warranty.  
For Warranty details go to [www.ryobitools.com](http://www.ryobitools.com)**

# RÈGLES DE SÉCURITÉ RELATIVES AUX OUTILS ÉLECTRIQUES



## AVERTISSEMENT

**Lire tous les avertissements et toutes les instructions.**

Ne pas suivre l'ensemble des avertissements et des instructions peut entraîner une électrocution, un incendie ou des blessures graves.

**Conserver les avertissements et les instructions à des fins de référence ultérieure.** Le terme « outil motorisé », utilisé dans tous les avertissements ci-dessous désigne tout outil fonctionnant sur secteur (câblé) ou sur piles (sans fil).

## SÉCURITÉ DU LIEU DE TRAVAIL

- **Garder le lieu de travail propre et bien éclairé.** Les endroits encombrés ou sombres sont propices aux accidents.
- **Ne pas utiliser d'outils électriques dans des atmosphères explosives, par exemple en présence de liquides, gaz ou poussières inflammables.** Les outils électriques produisent des étincelles risquant d'enflammer les poussières ou vapeurs.
- **Garder les enfants et badauds à l'écart pendant l'utilisation d'un outil électrique.** Les distractions peuvent causer une perte de contrôle.

## SÉCURITÉ ÉLECTRIQUE

- **Les fiches des outils électriques doivent correspondre à la prise secteur utilisée. Ne jamais modifier la fiche, de quelque façon que ce soit. Ne jamais utiliser d'adaptateurs de fiche avec des outils mis à la terre.** Les fiches et prises non modifiées réduisent le risque de choc électrique.
- **Éviter tout contact du corps avec des surfaces mises à la terre, telles que tuyaux, radiateurs, cuisinières et réfrigérateurs.** Le risque de choc électrique est accru lorsque le corps est mis à la terre.
- **Ne pas exposer les outils électriques à l'eau ou l'humidité.** La pénétration d'eau dans ces outils accroît le risque de choc électrique.
- **Ne pas maltraiter le cordon d'alimentation. Ne jamais utiliser le cordon d'alimentation pour transporter l'outil et ne jamais débrancher ce dernier en tirant sur le cordon. Garder le cordon à l'écart de la chaleur, de l'huile, des objets tranchants et des pièces en mouvement.** Un cordon endommagé ou emmêlé accroît le risque de choc électrique.
- **Pour les travaux à l'extérieur, utiliser un cordon spécialement conçu à cet effet.** Utiliser un cordon conçu pour l'usage extérieur pour réduire les risques de choc électrique.
- **S'il est nécessaire d'utiliser l'outil électrique dans un endroit humide, employer un dispositif interrupteur de défaut à la terre (GFCI).** L'utilisation d'un GFCI réduit le risque de décharge électrique.

## SÉCURITÉ PERSONNELLE

- **Rester attentif, prêter attention au travail et faire preuve de bon sens lors de l'utilisation de tout outil électrique. Ne pas utiliser cet outil en état de fatigue ou sous l'influence de l'alcool, de drogues ou de médicaments.** Un moment d'inattention pendant l'utilisation d'un outil électrique peut entraîner des blessures graves.

- **Utiliser l'équipement de sécurité. Toujours porter une protection oculaire.** L'équipement de sécurité, tel qu'un masque filtrant, de chaussures de sécurité, d'un casque ou d'une protection auditive, utilisé dans des conditions appropriées réduira le risque de blessures.
- **Éviter les démarrages accidentels. S'assurer que le commutateur est en position d'arrêt avant de brancher l'outil.** Porter un outil avec le doigt sur son commutateur ou brancher un outil dont le commutateur est en position de marche peut causer un accident.
- **Retirer les clés de réglage avant de mettre l'outil en marche.** Une clé laissée sur une pièce rotative de l'outil peut causer des blessures.
- **Ne pas travailler hors de portée. Toujours se tenir bien campé et en équilibre.** Ceci permettra de mieux contrôler l'outil en cas de situation imprévue.
- **Porter une tenue appropriée. Ne porter ni vêtements amples, ni bijoux. Garder les cheveux, les vêtements et les gants à l'écart des pièces en mouvement.** Les vêtements amples, bijoux et cheveux longs peuvent se prendre dans les pièces en mouvement.
- **Si les outils sont équipés de dispositifs de dépoussiérage, s'assurer qu'ils sont connectés et correctement utilisés.** L'usage de ces dispositifs de dépoussiérage peut réduire les dangers présentés par la poussière.
- **Ne porter ni vêtements amples, ni bijoux. Attacher ou couvrir les cheveux longs.** Les vêtements amples, bijoux et cheveux longs peuvent se prendre dans les ouïes d'aération.
- **Ne pas utiliser l'outil sur une échelle ou un support instable.** Une bonne tenue et un bon équilibre permettent de mieux contrôler l'outil en cas de situation imprévue.

## UTILISATION ET ENTRETIEN DES OUTILS ÉLECTRIQUES

- **Ne pas forcer l'outil. Utiliser l'outil approprié pour l'application.** Un outil approprié exécutera le travail mieux et de façon moins dangereuse s'il est utilisé dans les limites prévues.
- **Ne pas utiliser l'outil si le commutateur ne permet pas de le mettre en marche ou de l'arrêter.** Tout outil qui ne peut pas être contrôlé par son commutateur est dangereux et doit être réparé.
- **Débrancher l'outil et/ou retirer le bloc-piles avant d'effectuer des réglages, de changer d'accessoire ou de remiser l'outil.** Ces mesures de sécurité préventives réduisent les risques de démarrage accidentel de l'outil.
- **Ranger les outils motorisés hors de la portée des enfants et ne laisser personne n'étant pas familiarisé avec l'outil ou ces instructions utiliser l'outil.** Dans les mains de personnes n'ayant pas reçu des instructions adéquates, les outils sont dangereux.
- **Entretien des outils motorisés. Vérifier qu'aucune pièce mobile n'est mal alignée ou bloquée, qu'aucune pièce n'est brisée et s'assurer qu'aucun autre problème ne risque d'affecter le bon fonctionnement de l'outil.** En cas de dommages faire réparer l'outil avant de l'utiliser de nouveau. Beaucoup d'accidents sont causés par des outils mal entretenus.

# RÈGLES DE SÉCURITÉ RELATIVES AUX OUTILS ÉLECTRIQUES

- **Garder les outils bien affûtés et propres.** Des outils correctement entretenus et dont les tranchants sont bien affûtés risquent moins de se bloquer et sont plus faciles à contrôler.
- **Utiliser l'outil, les accessoires et embouts, etc. conformément à ces instructions pour les applications pour lesquelles ils sont conçus, en tenant compte des conditions et du type de travail à exécuter.** L'usage d'un outil motorisé pour des applications pour lesquelles il n'est pas conçu peut être dangereux.

## DÉPANNAGE




- **Les réparations doivent être confiées à un technicien qualifié, utilisant exclusivement des pièces identiques à celles d'origine.** Ceci assurera le maintien de la sécurité de l'outil.
- **Utiliser exclusivement des pièces identiques à celles d'origine pour les réparations. Se conformer aux instructions de la section Entretien de ce manuel.** L'usage de pièces non autorisées ou le non-respect des instructions peut présenter des risques de choc électrique ou de blessures.

## AVERTISSEMENTS DE SÉCURITÉ RELATIFS AU SCIE SAUTEUSE








- **Lorsque l'outil est utilisé pour un travail risquant de le mettre en contact avec des fils électriques cachés ou avec son propre cordon d'alimentation, le tenir par les surfaces de prise isolées ou avec son propre cordon d'alimentation.** Tout contact avec un fil sous tension électrifierait les parties métalliques de l'outil, et causerait un choc électrique.
- **Utiliser des serre-joint ou un autre système approprié pour maintenir fermement la pièce sur une surface stable.** Le fait de tenir la pièce à travailler avec ses mains ou contre son corps la rend instable et peut occasionner une perte de contrôle.
- **Apprendre à connaître l'outil. Lire attentivement le manuel d'utilisation. Apprendre les applications et les limites de l'outil, ainsi que les risques spécifiques relatifs à son utilisation.** Le respect de cette consigne réduira les risques d'incendie, de choc électrique et de blessures graves.
- **Toujours porter une protection oculaire certifiée conforme à la norme ANSI Z87.1.** Le respect de cette règle réduira les risques de blessures graves.
- **Protection respiratoire. Porter un masque facial ou un masque antipoussière si le travail produit de la poussière.** Le respect de cette consigne réduira les risques de blessures graves.
- **Protection auditive. Porter une protection auditive lors de l'utilisation prolongée.** Le respect de cette règle réduira les risques de blessures graves.
- **Inspecter régulièrement les cordons d'alimentation des outils et s'ils sont endommagés, les confier au centre de réparations agréé le plus proche. Toujours être conscient de l'emplacement du cordon.** Le respect de cette règle réduira les risques de choc électrique et d'incendie.
- **Vérifier l'état des pièces. Avant d'utiliser l'outil de nouveau examiner soigneusement les pièces et dispositifs de protection qui semblent endommagés afin de déterminer s'ils fonctionnent correctement et s'ils remplissent les fonctions prévues. Vérifier l'alignement des pièces mobiles, s'assurer qu'aucune pièce n'est bloquée ou cassée, vérifier la fixation de chaque pièce et s'assurer qu'aucun autre problème ne risque d'affecter le bon fonctionnement de l'outil. Toute protection ou pièce endommagée doit être correctement réparée ou remplacée dans un centre de réparations agréé.** Le respect de cette consigne réduira les risques de choc électrique, d'incendie et de blessures graves.
- **S'assurer que le cordon prolongateur est en bon état. Si un cordon prolongateur est utilisé, s'assurer que sa capacité est suffisante pour supporter le courant de fonctionnement de l'outil. Un calibre de fil (A.W.G) d'au minimum 16 est recommandé pour un cordon prolongateur de 15 m (50 pi) maximum. L'usage d'un cordon de plus de 30 m (100 pi) est déconseillé. En cas de doute, utiliser un cordon du calibre immédiatement supérieur. Moins le numéro de calibre est élevé, plus la capacité du fil est grande.** Un cordon de capacité insuffisante causerait une baisse de la tension de ligne, entraînant une perte de puissance et une surchauffe.
- **Inspecter la pièce et retirer les clous éventuels avant d'utiliser cet outil.** Le respect de cette consigne réduira les risques de blessures graves.
- **Si le cordon d'alimentation est endommagé, il doit être remplacé uniquement par le fabricant ou par un centre de réparation agréé pour éviter tout risque.**
- **Conserver ces instructions.** Les consulter fréquemment et les utiliser pour instruire les autres utilisateurs éventuels. Si cet produit est prêté, il doit être accompagné de ces instructions.

# SYMBOLES

Les termes de mise en garde suivants et leur signification ont pour but d'expliquer le degré de risques associé à l'utilisation de ce produit.

SYMBOLE	SIGNAL	SIGNIFICATION
	<b>DANGER :</b>	Indique une situation dangereuse qui, si elle n'est pas évitée, aura pour conséquences des blessures graves ou mortelles.
	<b>AVERTISSEMENT :</b>	Indique une situation dangereuse qui, si elle n'est pas évitée, pourrait entraîner des blessures graves ou mortelles.
	<b>ATTENTION :</b>	Indique une situation dangereuse qui, si elle n'est pas évitée, pourrait entraîner des blessures légères ou de gravité modérée.
	<b>AVIS :</b>	(Sans symbole d'alerte de sécurité) Indique les informations jugées importantes sans toutefois représenter un risque de blessure (ex. : messages concernant les dommages matériels).

Certains des symboles ci-dessous peuvent être utilisés sur produit. Veiller à les étudier et à apprendre leur signification. Une interprétation correcte de ces symboles permettra d'utiliser produit plus efficacement et de réduire les risques.

SYMBOLE	NOM	DÉSIGNATION / EXPLICATION
	Symbole d'alerte de sécurité	Indique un risque de blessure potentiel.
	Lire manuel d'utilisation	Pour réduire les risques de blessures, l'utilisateur doit lire et veiller à bien comprendre le manuel d'utilisation avant d'utiliser ce produit.
	Protection oculaire	Toujours porter une protection oculaire avec écrans latéraux certifiée conforme à la norme ANSI Z87.1.
	Avertissement concernant l'humidité	Ne pas exposer à la pluie ou l'humidité.
	Symbole garder les mains à l'écart	Le non-respect de cette mise en garde peut entraîner des blessures graves.
	Surface brûlante	Pour éviter les risques de blessures ou de dommages, éviter tout contact avec les surfaces brûlantes.
V	Volts	Tension
A	Ampères	Intensité
Hz	Hertz	Fréquence (cycles par seconde)
W	Watts	Puissance
min	Minutes	Temps
~	Courant alternatif	Type de courant
n <sub>0</sub>	Vitesse à vide	Vitesse de rotation à vide
	Construction de la classe II	Tours, coups, vitesse périphérique, orbites, etc., par minute
.../min	Par minute	Tours, coups, vitesse périphérique, orbites, etc., par minute

# CARACTÉRISTIQUES ÉLECTRIQUES

## DOUBLE ISOLATION

La double isolation est un dispositif de sécurité utilisé sur les outils à moteur électriques, éliminant le besoin de cordon d'alimentation habituel à trois fils avec terre. Toutes les pièces métalliques exposées sont isolées des composants internes du moteur par l'isolation protectrice. Les outils à double isolation ne nécessitent pas de mise à la terre.

### **AVERTISSEMENT :**

Le système à double isolation est conçu pour protéger l'utilisateur contre les chocs électriques causés par une rupture de l'isolation interne de l'outil. Prendre toutes les précautions de sécurité normales pour éviter les chocs électriques.

**NOTE :** La réparation d'un outil à double isolation exigeant des précautions extrêmes ainsi que la connaissance du système, elle ne doit être confiée qu'à un réparateur qualifié. En ce qui concerne les réparations, nous recommandons de confier l'outil au centre de réparation le plus proche. Utiliser exclusivement des pièces d'origine pour les réparations.

## CONNEXIONS ÉLECTRIQUES

Cet outil est équipé d'un moteur électrique de précision. Elle doit être branchée uniquement sur une **alimentation 120 V, c.a. (courant résidentiel standard), 60 Hz**. Ne pas utiliser cet outil sur une source de courant continu (c.c.). Une chute de tension importante causerait une perte de puissance et une surchauffe du moteur. Si l'outil ne fonctionne pas une fois branché, vérifier l'alimentation électrique.

## CORDONS PROLONGATEURS

Lors de l'utilisation d'un outil électrique à grande distance d'une prise secteur, veiller à utiliser un cordon prolongateur d'une capacité suffisante pour supporter l'appel de courant de l'outil. Un cordon de capacité insuffisante causerait une baisse de la tension de ligne, entraînant une perte de puissance et une surchauffe. Se reporter au tableau ci-dessous pour déterminer le calibre minimum de fil requis pour un cordon donné. Utiliser exclusivement des cordons à gaine cylindrique homologués par Underwriter's Laboratories (UL).

Pour le travail à l'extérieur, utiliser un cordon prolongateur spécialement conçu à cet effet. Ce type de cordon porte l'inscription « WA » ou « W » sur sa gaine.

Avant d'utiliser un cordon prolongateur, vérifier que ses fils ne sont ni détachés ni exposés et que son isolation n'est ni coupée, ni usée.

\*\*Intensité nominale (sur la plaquette signalétique de l'outil)

Longueur du cordon	Calibre de fil (A.W.G.)					
	0-2,0	2,1-3,4	3,5-5,0	5,1-7,0	7,1-12,0	12,1-16,0
25'	16	16	16	16	14	14
50'	16	16	16	14	14	12
100'	16	16	14	12	10	—

\*\*Utilisé sur circuit de calibre 12 – 20 A

**NOTE :** AWG = American Wire Gauge

### **AVERTISSEMENT :**

Maintenir le cordon prolongateur à l'écart de la zone de travail. Lors du travail avec un cordon électrique, placer le cordon de manière à ce qu'il ne risque pas de se prendre dans les pièces de bois, outils et autres obstacles. Ne pas prendre cette précaution peut entraîner des blessures graves.

### **AVERTISSEMENT :**

Vérifier l'état des cordons prolongateurs avant chaque utilisation. Remplacer immédiatement tout cordon endommagé. Ne jamais utiliser un outil dont le cordon d'alimentation est endommagé, car tout contact avec la partie endommagée pourrait causer un choc électrique et des blessures graves.

# CARACTÉRISTIQUES

## FICHE TECHNIQUE

Alimentation.....	120 V c.a. seulement, 60 Hz, 4,8 A
Vitesse à vide .....	350 - 3 000/min
Course .....	19 mm (3/4 po)
Réglages d'orbite .....	4

## ASSEMBLAGE

### **AVERTISSEMENT :**

Ne pas utiliser le produit s'il n'est pas complètement assemblé ou si des pièces semblent manquantes ou endommagées. L'utilisation d'un produit dont l'assemblage est incorrect ou incomplet ou comportant des pièces endommagées ou absentes représente un risque de blessures graves.

### **AVERTISSEMENT :**

Ne pas essayer de modifier cet outil ou de créer des pièces et accessoires non recommandés. De telles altérations ou modifications sont considérées comme un usage abusif et peuvent créer des conditions dangereuses, risquant d'entraîner des blessures graves.

Si des pièces manquent ou sont endommagées, veuillez appeler au 1-800-525-2579 pour obtenir de l'aide. Au Mexique, veuillez composer le numéro 01-800-843-1111.

## UTILISATION

### **AVERTISSEMENT :**

Ne pas laisser la familiarité avec le produit faire oublier la prudence. Ne pas oublier qu'une fraction de seconde d'inattention peut entraîner des blessures graves.

### **AVERTISSEMENT :**

Toujours porter une protection oculaire avec écrans latéraux certifiée conforme à la norme ANSI Z87.1. Ne pas suivre cette directive pourrait entraîner des blessures graves, par exemple si l'appareil projetait des objets dans vos yeux.

### **AVERTISSEMENT :**

Ne pas utiliser d'outils ou accessoires non recommandés pour cet outil. L'utilisation de pièces et accessoires non recommandés peut entraîner des blessures graves.

## APPLICATIONS

Cet produit peut être utilisé pour les applications ci-dessous :

- Le sciage de tous types de produits en bois (bois d'oeuvre, contreplaqué, lambrissage, aggloméré et bois dur)
- Coupe de tôle mince (lame pour coupe de métaux non inclus)
- Coupe de plastiques et laminés

## INSTALLATION DE LA LAME

Voir la figure 1, page 11.

**NOTE :** La scie est conçue pour n'utiliser que des lames à tige en T.

### Installation de la lame :

- Débrancher la scie.
- Mettre le bouton de réglage d'orbite sur position 3.
- Tourner le porte-lame à changement rapide pour que la fente du porte-lame soit alignée avec la fente du rouleau de support de lame.
- Maintenir le levier du verrouillage de lame sans outil vers le haut, insérer la lame de la scie le plus profondément possible dans la fente du serre-lame et le rouleau de support de lame.
- Vérifier que l'arrière de la lame est correctement positionné dans l'encoche du rouleau de support de lame et verrouillage de lame.
- Relâcher le verrouillage de lame. Vérifier que la lame est solidement assujettie.

**NOTE :** S'assurer que la lame est complètement insérée et fixée correctement. La lame se fixe en place lorsqu'elle est correctement installée. **Ne pas utiliser l'outil si la lame n'est pas installée correctement.**

- Mettre le bouton de réglage d'orbite à la position désirée.

### Retrait de la lame :

- Débrancher la scie
- Laisser refroidir la lame.

# UTILISATION

- Tourner le porte-lame à changement rapide pour que la fente du porte-lame soit alignée avec la fente du rouleau de support de lame.
- Retirer la lame.

## MISE EN MARCHÉ / ARRÊT DE LA SCIE

Voir la figure 2, page 11.

Pour mettre la scie en **ON (MARCHÉ)**, presser la gâchette. Pour **OFF (ARRÊTER)** la scie, relâcher la gâchette.

## BOUTON DE VERROUILLAGE

Voir la figure 2, page 11.

Cette scie est dotée d'un bouton de verrouillage commode pour le travail en continu prolongé.

### Verrouillage :

- Appuyer sur la gâchette.
- Maintenir le bouton de verrouillage, situé sur le côté de la poignée, enfoncé.
- Relâcher la gâchette.
- Relâcher le bouton de verrouillage

### Pour déverrouiller :

- Appuyer sur la gâchette et la relâcher.

Si la fonction de verrouillage est engagée pendant l'utilisation et la scie est accidentellement débranchée du secteur, désengager le verrouillage immédiatement.

### **AVERTISSEMENT :**

Avant de brancher la scie sur une prise secteur, toujours s'assurer que le verrouillage est désengagé (appuyer sur la gâchette et la relâcher). Ne pas prendre cette précaution peut causer un démarrage accidentel, entraînant des blessures graves. Ne pas verrouiller la gâchette si le travail peut exiger d'arrêter immédiatement la scie.

## COMMANDE DE VITESSE VARIABLE

Voir la figure 3, page 11.

Cette scie est équipée d'un sélecteur de vitesse variable permettant à l'opérateur d'ajuster la vitesse et le couple. La vitesse et le couple peuvent être augmentés ou réduits en tournant le sélecteur dans le sens des flèches, comme le montre la figure 3.

**NOTE :** Tenir la scie en position normale et tourner le sélecteur de vitesse vers le signe + pour augmenter la vitesse et le couple. Tourner le sélecteur vers le signe – pour réduire la vitesse et le couple.

Pour verrouiller la scie à une vitesse donnée, appuyer sur la gâchette, maintenir le bouton de verrouillage enfoncé et relâcher la gâchette. Ensuite tourner le sélecteur de vitesse pour obtenir la vitesse désirée.

Éviter d'utiliser la scie à basse vitesse pendant des périodes prolongées. Ceci pourrait causer une surchauffe. Si la scie

surchauffe, la faire refroidir en la laissant tourner à vide et à la vitesse maximum.

Pour déterminer la vitesse à utiliser en fonction de l'application :

La **BASSE** vitesse est idéale lorsqu'un minimum de puissance est nécessaire, par exemple pour entamer une coupe.

La **MOYENNE** vitesse convient à la coupe des métaux, plastiques et matériaux laminés.

La **HAUTE** vitesse est préférable lorsqu'un maximum de puissance est nécessaire, par exemple pour la coupe de bois. Les métaux tendres, tels que l'aluminium, le laiton et le cuivre peuvent également nécessiter une vitesse élevée.

### **AVERTISSEMENT :**

Ne pas insérer la lame dans les ouïes d'aération. Elle pourrait entrer en contact avec des pièces internes sous tension et causer un choc électrique entraînant des blessures graves.

## LAMPE À DÉL

Voir la figure 4, page 11.

La lampe DÉL s'allume lorsque l'utilisateur appuie sur la gâchette, ce qui permet de bien voir la ligne de coupe sur la surface de travail.

## COUPE GÉNÉRALE

Placer le devant de la base de la scie contre la pièce à couper et aligner le tranchant de la lame sur la ligne de coupe tracée sur la pièce. S'assurer que le cordon d'alimentation ne risque pas d'être accroché et qu'il ne se trouve pas dans la ligne de coupe. Mettre la scie en marche et la pousser vers l'avant. Appuyer sur la scie de manière à assurer sa stabilité et la pousser vers l'avant avec juste assez de force pour que la lame continue de couper. Ne pas forcer la scie. Cela pourrait causer une surchauffe du moteur et la cassure de la lame.

## MOUVEMENT ORBITAL

Voir la figure 5 et 6, page 11 et 12.

La lame coupe avec un mouvement orbital. L'ampleur de l'orbite est réglable, ce qui permet de couper plus rapidement et plus efficacement. Avec le mouvement orbital, la lame coupe dans sa course vers le haut, mais ne frotte pas contre le matériau lors de sa course vers le bas. Pour régler le mouvement orbital, tourner le bouton de réglage d'orbite au réglage désiré. Consulter le tableau de la figure 6 afin de trouver le réglage qui convient à l'application que vous vous apprêtez à réaliser.

**NOTE :** Le fait de régler la position orbitale à un réglage inférieur permet d'obtenir un fini plus lisse; une coupe plus lente est toutefois requise. Un réglage plus élevé permet d'obtenir un fini plus rugueux, mais permet cependant de réaliser la coupe plus rapidement.

# UTILISATION

## COUPE DROITE

Voir la figure 7, page 13.

Une coupe rectiligne peut être obtenue en assujettissant une planche ou une règle sur la pièce à couper, pour guider la scie. La coupe ne doit être effectuée que dans un sens. Ne jamais couper jusqu'à la moitié d'une pièce dans un sens et terminer la coupe dans l'autre.

### AVERTISSEMENT :

Pour éviter des risques de blessures graves, garder les mains et les doigts à l'écart du boîtier d'engrenages et du blocage de lame et toujours laisser la garde en place.

### AVERTISSEMENT :

Une pression latérale excessive sur la lame peut la briser et endommager la pièce en train d'être coupée.

## COUPE EN BISEAU

Voir la figure 8, page 13.

L'angle de coupe en biseau peut être ajusté de 0 à 45°, à droite ou à gauche. Une échelle se trouvant de chaque côté de la base, présente des graduations de 0, 15, 30 et 45° pour les coupes en biseau. Une flèche, située au-dessous du moteur sert d'indicateur pour les graduations mentionnées ci-dessus. Lorsque des angles précis sont nécessaires, il est recommandé d'utiliser un rapporteur.

- Débrancher la scie.
- Déverrouiller la base en poussant son levier vers l'avant.
- Glisser la base vers l'avant afin de la dégager du cran à 0°.
- Aligner la graduation d'angle désiré de la base sur la flèche du boîtier du moteur.  
**NOTE :** Pour une coupe 0°, glisser la base vers l'arrière jusqu'à ce qu'elle se verrouille dans la position du cran à 0°.
- Une fois l'angle désiré obtenu, rabattre le levier de réglage de la base au-dessous du moteur.

## DÉCOUPE DE FORMES

Voir la figure 9, page 13.

Les découpes de formes sont exécutées en guidant la scie sauteuse par pression sur la poignée, comme illustré.

**NOTE :** La découpe de formes avec tolérance réduite peut nécessiter une lame conçue à cette fin (non comprise).

### AVERTISSEMENT :

Une pression latérale excessive sur la lame peut la briser et endommager la pièce en train d'être coupée.

## COUPE PLONGEANTE

Voir la figure 10, page 13.

**NOTE :** Pour ce type de coupe, utiliser exclusivement une lame à 7 dents par pouce.

### AVERTISSEMENT :

Lors des coupes plongées, prendre les précautions les plus extrêmes, afin de ne pas risquer de perdre le contrôle de la scie, briser la lame ou endommager la pièce en train d'être coupée. Nous recommandons de ne pas pratiquer de coupes plongées dans des matériaux autres que le bois.

- Marquer clairement la ligne de coupe sur la pièce.
- Régler le sélecteur d'orbite sur « 0 ».
- Régler l'angle de coupe à 0°.
- Incliner la scie vers l'avant, de manière à ce qu'elle repose sur le devant de sa base et que la lame n'entre pas en contact avec la pièce à couper lorsque la scie est mise en marche.
- S'assurer que la lame est à l'intérieur de la partie à couper.
- Mettre la scie en marche à la vitesse maximum et abaisser lentement la lame dans la pièce à couper, jusqu'à ce qu'elle morde dans le bois.
- Continuer d'abaisser la lame dans la pièce, jusqu'à ce que la base de la scie repose à plat sur la pièce, puis pousser la scie vers l'avant pour achever la découpe.

## COUPE DE MÉTAUX

Voir la figure 11, page 13.

**NOTE :** Le mode orbital doit être désactivé pour la coupe de métaux et tuyaux. Mettre le bouton de réglage d'orbite sur « 0 ». Consulter la section intitulée **Mouvement Orbital** abordée précédemment dans ce manuel pour plus de renseignements.

Il est possible de couper plusieurs types de métaux lorsque la scie est utilisée avec une lame à métaux (non comprise). Veiller à ne pas tordre ou fléchir la lame. **Ne pas forcer.** Si la lame oscille ou vibre excessivement, la remplacer par une lame à dents plus fines. Si la lame chauffe excessivement, réduire la vitesse. Si les dents de la lame sont comblées par de la limaille lors de la coupe de métaux tendres, tels que l'aluminium, utiliser une lame plus grossière ou une vitesse plus basse. Nous recommandons d'utiliser un lubrifiant pour la coupe de métaux afin d'accroître l'efficacité de coupe, de garder la lame fraîche et de prolonger sa vie utile. Assujettir solidement la pièce et couper près du point de serrage pour éviter la vibration du matériau.

## UTILISATION

Lors de la coupe de conduits, tuyaux ou de cornières, serrer la pièce dans un étau et couper le plus près possible du point de serrage. Pour la coupe des tôles minces, placer le matériau en « sandwich » entre deux planches et utiliser des serre-joint pour empêcher les vibrations et la déchirure du matériau. Ceci permettra d'obtenir une coupe nette. Tracer le motif ou la ligne de coupe sur le « sandwich ».

**NOTE :** Lors de la coupe de métal, garder la partie exposée de la tige de la scie propre et exempte de copeaux de métal en l'essuyant fréquemment avec un chiffon huilé. Prendre toutes les précautions nécessaires lors de la mise au rebut du chiffon, pour éviter un risque d'incendie.

## RÉGLAGES



### AVERTISSEMENT :

Avant d'effectuer tout réglage, s'assurer que l'outil est débranché et que son commutateur est en position d'**ARRÊT**. Le non respect de cet avertissement pourrait entraîner des blessures graves.

### SERRAGE DU LEVIER DE RÉGLAGE DE LA BASE

Voir les figures 12 et 13, page 13.

De temps à autre, il peut s'avérer nécessaire de le serrer de le levier de réglage de la base.

- Débrancher la scie.
- S'il est installé, retirer l'accessoire d'aspiration.

- Retirer les quatre vis de la semelle de la base et cette semelle, pour exposer l'écrou de réglage.
- Désengager le levier de réglage de la base en le tirant vers l'avant.
- Serrer l'écrou de réglage en le tournant de 1/4 tour vers la droite.
- Engager le levier de réglage en le repoussant au-dessous du moteur et vérifier que la base ne présente pas de jeu.
- Si la base est toujours desserrée, désengager le levier de réglage et serrer l'écrou de réglage de 1/4 de tour supplémentaire. Répéter l'opération jusqu'à ce que la base ne présente plus de jeu lorsque le levier de réglage est engagé.
- Remettre la semelle de la base en place et l'assujettir au moyen des quatre vis.

# ENTRETIEN

## AVERTISSEMENT :

Utiliser exclusivement des pièces identiques à celles d'origine pour les réparations. L'usage de toute autre pièce pourrait créer une situation dangereuse ou endommager l'outil.

## AVERTISSEMENT :

Toujours porter une protection oculaire avec écrans latéraux certifiée conforme à la norme ANSI Z87.1. Ne pas suivre cette directive pourrait entraîner des blessures graves, par exemple si l'appareil projetait des objets dans vos yeux.

## AVERTISSEMENT :

Ne jamais laisser de liquides tels que le fluide de freins, l'essence, les produits à base de pétrole, les huiles pénétrantes, etc., entrer en contact avec les pièces en plastique. Les produits chimiques peuvent endommager, affaiblir ou détruire le plastique, ce qui peut entraîner des blessures graves.

Les outils électriques utilisés sur la fibre de verre, le placoplâtre, les mastics de bouchage ou le plâtre s'usent plus vite et sont susceptibles de défaillance prématurée, car les particules et les éclats de fibre de verre sont fortement abrasifs pour les roulements, balais, commutateurs, etc. Toutefois, si l'outil a été utilisé sur l'un de ces matériaux, il est extrêmement important de le nettoyer à l'air comprimé.

## ENTRETIEN GÉNÉRAL

Éviter d'utiliser des solvants pour le nettoyage des pièces en plastique. La plupart des matières plastiques peuvent être endommagées par divers types de solvants du commerce. Utiliser un chiffon propre pour éliminer la saleté, la poussière, l'huile, la graisse, etc.

## LUBRIFICATION

Tous les roulements de cet outil sont enduits d'une quantité suffisante de lubrifiant de haute qualité pour la durée de vie de l'outil, dans des conditions d'utilisation normales. Aucune autre lubrification n'est donc nécessaire.

## REPLACEMENT DU CORDON D'ALIMENTATION

S'il y a lieu, le cordon d'alimentation doit être remplacé par un centre de réparation agréé afin d'éviter tout risque.

# ACCESSOIRES

Pour obtenir ces accessoires, s'adresser au revendeur après duquel vous avez acheté ce produit :

- Ensemble de guide de bords avec boutons de base.....039076003101
- Orifice d'aspiration .....039076001040

## AVERTISSEMENT :

Les outils et accessoires disponibles actuellement pour ce produit sont listés ci-dessus. Ne pas utiliser d'outils ou accessoires non recommandés pour ce produit. L'utilisation de pièces et accessoires non recommandés peut entraîner des blessures graves.

## NOTE : ILLUSTRATIONS COMMENÇANT SUR 11 DE PAGE APRÈS LE SECTION ESPAGNOL.

Ce produit est couvert par une garantie limitée de trois (3) ans. Veuillez visiter notre site internet au [www.ryobitools.com](http://www.ryobitools.com) pour obtenir tous les détails de la garantie.

# ADVERTENCIAS DE SEGURIDAD PARA HERRAMIENTAS ELÉCTRICAS

## ADVERTENCIA

Lea todas las advertencias de seguridad y las instrucciones. La inobservancia de las advertencias e instrucciones puede causar descargas eléctricas, incendios o lesiones graves.

Guarde todas las advertencias e instrucciones para consultarlas en el futuro. El término “herramienta eléctrica” en las advertencias se refiere a las herramientas eléctricas que funcionan con corriente (con cordón) o las que funcionan con batería (inalámbricas).

## ÁREA DE TRABAJO

- **Mantenga limpia y bien iluminada el área de trabajo.** Un área de trabajo mal despejada o mal iluminada propicia accidentes.
- **No utilice herramientas motorizadas en atmósferas explosivas, como las existentes alrededor de líquidos, gases y polvos inflamables.** Las herramientas eléctricas generan chispas que pueden encender el polvo y los vapores inflamables.
- **Mantenga alejados a los niños y circunstantes al maniobrar una herramienta eléctrica.** Toda distracción puede causar la pérdida del control de la herramienta.

## SEGURIDAD ELÉCTRICA

- **Las clavijas de las herramientas eléctricas deben corresponder a las tomas de corriente donde se conectan. Nunca modifique la clavija de ninguna forma. No utilice ninguna clavija adaptadora con herramientas eléctricas dotadas de contacto a tierra.** Conectando las clavijas originales en las tomas de corriente donde corresponden se disminuye el riesgo de una descarga eléctrica.
- **Evite el contacto del cuerpo con las superficies de objetos conectados a tierra, como las tuberías, radiadores, estufas y refrigeradores.** Existe un mayor riesgo de descargas eléctricas si el cuerpo está haciendo tierra.
- **No exponga las herramientas eléctricas a la lluvia ni a condiciones de humedad.** La introducción de agua en una herramienta eléctrica aumenta el riesgo de descargas eléctricas.
- **No maltrate el cordón eléctrico. Nunca utilice el cordón para trasladar, desconectar o tirar de la herramienta eléctrica. Mantenga el cordón lejos del calor, aceite, bordes afilados y piezas móviles.** Los cordones eléctricos dañados o enredados aumentan el riesgo de descargas eléctricas.
- **Al utilizar una herramienta eléctrica a la intemperie, use un cordón de extensión apropiado para el exterior.** Usando un cordón adecuado para el exterior se disminuye el riesgo de descargas eléctricas.
- **Si debe operar una herramienta en lugares húmedos, use un suministro protegido por un interruptor de circuito con pérdida a tierra (GFCI).** El uso de un GFCI reduce el riesgo de descargas eléctricas.

## SEGURIDAD PERSONAL

- **Permanezca alerta, preste atención a lo que esté haciendo y aplique el sentido común al utilizar herramientas eléctricas. No utilice la herramienta eléctrica si está cansado o se encuentra bajo los efectos de alguna droga, alcohol o medicamento.** Un momento de inatención al utilizar una herramienta eléctrica puede causar lesiones corporales serias.
- **Utilice protección el equipo otros. Siempre póngase protección ocular.** El uso de equipo protector como mascarilla para el polvo, calzado de seguridad, casco y protección para los oídos en las circunstancias donde corresponda disminuye el riesgo de lesiones.
- **Evite que la herramienta se active accidentalmente. Asegúrese de que el interruptor esté en la posición de apagado antes de conectar la herramienta a un suministro de corriente o de colocar un paquete de baterías.** Transportar herramientas eléctricas con el dedo en el interruptor o enchufar herramientas eléctricas que tienen el interruptor encendido puede ocasionar accidentes.
- **Retire toda llave o herramienta de ajuste antes de encender la herramienta eléctrica.** Toda llave o herramienta de ajuste dejada en una pieza giratoria de la herramienta eléctrica puede causar lesiones.
- **No estire el cuerpo para alcanzar mayor distancia. Mantenga una postura firme y buen equilibrio en todo momento.** De esta manera se logra un mejor control de la herramienta eléctrica en situaciones inesperadas.
- **Vístase adecuadamente. No vista ropas holgadas ni joyas. Mantenga el cabello, la ropa y los guantes alejados de las piezas móviles.** Las ropas holgadas y las joyas, así como el cabello largo, pueden engancharse en las piezas móviles.
- **Si se suministran dispositivos para conectar mangueras de extracción y captación de polvo, asegúrese de que éstas estén bien conectadas y se usen correctamente.** El uso de la captación de polvo puede reducir los peligros relacionados con éste.
- **No vista ropas holgadas ni joyas. Recójase el cabello si está largo.** Las ropas holgadas y las joyas, así como el cabello largo, pueden resultar atraídas hacia el interior de las aberturas de ventilación.
- **No utilice la unidad al estar en una escalera o en un soporte inestable.** Una postura estable sobre una superficie sólida permite un mejor control de la herramienta eléctrica en situaciones inesperadas.

## EMPLEO Y CUIDADO DE LA HERRAMIENTA ELÉCTRICA

- **No fuerce la herramienta eléctrica. Utilice la herramienta eléctrica adecuada para cada trabajo.** La herramienta eléctrica adecuada efectúa mejor y de manera más segura el trabajo, si además se maneja a la velocidad para la que está diseñada.
- **No utilice la herramienta si el interruptor no enciende o no apaga.** Cualquier herramienta eléctrica que no pueda controlarse con el interruptor es peligrosa y debe repararse.
- **Desconecte la clavija del suministro de corriente o retire el paquete de baterías de la herramienta eléctrica, según sea el caso, antes de efectuarle cualquier**

# ADVERTENCIAS DE SEGURIDAD PARA HERRAMIENTAS ELÉCTRICAS

**ajuste, cambiarle accesorios o guardarla.** Tales medidas preventivas de seguridad reducen el riesgo de poner en marcha accidentalmente la herramienta.

- **Guarde las herramientas eléctricas desocupadas fuera del alcance de los niños y no permita que las utilicen personas no familiarizadas con las mismas o con estas instrucciones.** Las herramientas eléctricas son peligrosas en manos de personas no capacitadas en el uso de las mismas.
- **Preste servicio a las herramientas eléctricas. Revise para ver si hay desalineación o atoramiento de piezas móviles, ruptura de piezas o cualquier otra condición que pueda afectar el funcionamiento de la herramienta. Si está dañada la herramienta eléctrica, permita que la reparen antes de usarla.** Numerosos accidentes son causados por herramientas eléctricas mal cuidadas.
- **Mantenga las herramientas de corte afiladas y limpias.** Las herramientas de corte bien cuidadas y con bordes bien afilados, tienen menos probabilidad de atascarse en la pieza de trabajo y son más fáciles de controlar.

- **Utilice la herramienta eléctrica, los accesorios y brocas, hojas y cuchillas de corte, ruedas de esmeril, etc. de conformidad con estas instrucciones, tomando en cuenta las condiciones de trabajo y la tarea por realizar.** Si se utiliza la herramienta eléctrica para operaciones diferentes de las indicadas podría originar una situación peligrosa.

## SERVICIO

- **Permita que un técnico de reparación calificado preste servicio a la herramienta eléctrica, y sólo con piezas de repuesto idénticas.** De esta manera se mantiene la seguridad de la herramienta eléctrica.
- **Al dar servicio a una herramienta eléctrica, sólo utilice piezas de repuesto idénticas. Siga las instrucciones señaladas en la sección Mantenimiento de este manual.** El empleo de piezas no autorizadas o el incumplimiento de las instrucciones de mantenimiento puede significar un riesgo de descarga eléctrica o de lesiones.




# ADVERTENCIAS DE SEGURIDAD SIERRA DE VAIVÉN

- **Sujete las herramientas eléctricas por las superficies aisladas de sujeción al efectuar una operación en la cual la herramienta de corte pueda entrar en contacto con cables ocultos o con su propio cordón eléctrico.** Todo contacto de una herramienta con un cable cargado carga las piezas metálicas expuestas de la herramienta y da una descarga eléctrica al operador.
- **Use abrazaderas u otra manera práctica de asegurar y sustentar la pieza en la que se va a trabajar en una plataforma estable.** Sostener la pieza de trabajo con la mano o contra el cuerpo la deja inestable y puede causar la pérdida de control de la misma.
- **Familiarícese con su herramienta eléctrica. Lea cuidadosamente el manual del operador. Aprenda sus usos y limitaciones, así como los posibles peligros específicos de esta herramienta eléctrica.** Con el cumplimiento de esta regla se reduce el riesgo de una descarga eléctrica, incendio o lesión seria.
- **Siempre póngase protección ocular con protección lateral con la marca de cumplimiento de la norma ANSI Z87.1.** Con el cumplimiento de esta regla se reduce el riesgo de lesiones corporales serias.
- **Protéjase los pulmones. Use una careta o mascarilla contra el polvo si la operación genera mucho polvo.** Con el cumplimiento de esta regla se reduce el riesgo de lesiones serias.
- **Protéjase los oídos. Durante períodos prolongados de utilización del producto, póngase protección para los oídos.** Con el cumplimiento de esta regla se reduce el riesgo de lesiones corporales serias.
- **Inspeccione periódicamente los cordones eléctricos de las herramientas, y si están dañados, permita que los reparen en el centro de servicio autorizado más cercano de la localidad. Observe constantemente la ubicación del cordón eléctrico.** Con el cumplimiento de esta regla se reduce el riesgo de una descarga eléctrica o incendio.








- **Revise para ver si hay piezas dañadas. Antes de seguir utilizando la herramienta, es necesario inspeccionar cuidadosamente toda protección o pieza dañada para determinar si funcionará correctamente y desempeñará la función a la que está destinada. Verifique la alineación de las partes móviles, que no haya atoramiento de las mismas, que no haya piezas rotas, el montaje de las piezas y cualquier otra condición que pudiera afectar su funcionamiento. Toda protección o pieza que esté dañada debe repararse apropiadamente o reemplazarse en un centro de servicio autorizado.** Con el cumplimiento de esta regla se reduce el riesgo de una descarga eléctrica, incendio o lesión grave.
- **Asegúrese de que esté en buen estado el cordón de extensión. Al utilizar un cordón de extensión, utilice uno del suficiente calibre para soportar la corriente que consume el producto. Se recomienda que los conductores sean de calibre 16 (A.W.G.) por lo menos, para un cordón de extensión de 15 metros (50 pies) de largo o menos. No se recomienda utilizar un cordón de más de 100 pies (30 metros) metros de largo. Si tiene dudas, utilice un cordón del calibre más grueso siguiente. Cuanto menor es el número de calibre, mayor es el grueso del cordón. Un cordón de un calibre insuficiente causa una caída en el voltaje de línea, y produce recalentamiento y pérdida de potencia.**
- **Inspeccione la madera y elimine todos los clavos presentes en la misma antes de usar esta herramienta.** Con el cumplimiento de esta regla se reduce el riesgo de lesiones serias.
- **Si está dañado el cordón de corriente, debe ser reemplazado únicamente por el fabricante o en un centro de servicio autorizado para evitar riesgos.**
- **Guarde estas instrucciones.** Consúltelas con frecuencia y empléelas para instruir a otras personas que puedan utilizar esta producto. Si presta a alguien esta producto, facilítele también las instrucciones.

# SÍMBOLOS

Las siguientes palabras de señalización y sus significados tienen el objeto de explicar los niveles de riesgo relacionados con este producto.

SÍMBOLO	SEÑAL	SIGNIFICADO
	<b>PELIGRO:</b>	Indica una situación peligrosa, la cual, si no se evita, causará la muerte o lesiones serias.
	<b>ADVERTENCIA:</b>	Indica una situación peligrosa, la cual, si no se evita, podría causar la muerte o lesiones serias.
	<b>PRECAUCIÓN:</b>	Indica una situación peligrosa, la cual, si no se evita, podría causar lesiones menores o leves.
	<b>AVISO:</b>	(Sin el símbolo de alerta de seguridad) Indica la información que se considera importante, pero no relacionada con lesiones potenciales (por ej. en relación a daños a la propiedad).

Es posible que se empleen en este producto algunos de los siguientes símbolos. Le suplicamos estudiarlos y aprender su significado. Una correcta interpretación de estos símbolos le permitirá utilizar mejor y de manera más segura el producto.

SÍMBOLO	NOMBRE	DENOMINACIÓN/EXPLICACIÓN
	Alerta de seguridad	Indica un peligro posible de lesiones personales.
	Lea el manual del operador	Para reducir el riesgo de lesiones, el usuario debe leer y comprender el manual del operador antes de usar este producto.
	Protección ocular	Siempre póngase protección ocular con protección lateral con la marca de cumplimiento de la norma ANSI Z87.1.
	Alerta de condiciones húmedas	No exponga la unidad a la lluvia ni la use en lugares húmedos.
	Símbolo de no acercar las manos	Failure to keep your hands away from the blade will result in serious personal injury.
	Superficie caliente	Para reducir el riesgo de lesiones corporales o daños materiales evite tocar toda superficie caliente.
V	Volts	Voltaje
A	Amperes	Corriente
Hz	Hertz	Frecuencia (ciclos por segundo)
W	Watts	Potencia
min	Minutos	Tiempo
~	Corriente alterna	Tipo de corriente
n <sub>o</sub>	Velocidad en vacío	Velocidad de rotación, en vacío
	Fabricación Clase II	Fabricación con doble aislamiento
.../min	Por minuto	Revoluciones, carreras, velocidad superficial, órbitas, etc., por minuto

# ASPECTOS ELÉCTRICOS

## DOBLE AISLAMIENTO

El doble aislamiento es una característica de seguridad de las herramientas eléctricas, la cual elimina la necesidad de usar el típico cordón eléctrico de tres conductores con conexión a tierra. Todas las partes metálicas expuestas están aisladas de los componentes metálicos internos del motor por medio de aislamiento de protección. No es necesario conectar a tierra las herramientas con doble aislamiento.

### **ADVERTENCIA:**

El sistema de doble aislamiento está destinado a proteger al usuario contra las descargas eléctricas resultantes de la ruptura del aislamiento interno de la herramienta. Observe todas las precauciones de seguridad para evitar descargas eléctricas.

**NOTA:** El mantenimiento de una herramienta con doble aislamiento requiere sumo cuidado y conocimiento del sistema, y únicamente deben realizarlo técnicos de servicio calificados. Para el mantenimiento de la herramienta, le sugerimos llevarla al centro de servicio autorizado más cercano para que se la reparen. Siempre utilice piezas de repuesto de la fábrica original al dar servicio a la unidad.

## CONEXIÓN ELÉCTRICA

Esta herramienta dispone de un motor eléctrico fabricado con precisión. Debe conectarse únicamente a **una línea de voltaje de 120 V, de corriente alterna solamente (corriente normal para uso doméstico), 60 Hz.** No utilice esta herramienta con corriente continua (c.c.). Una caída considerable de voltaje causa la pérdida de potencia y el recalentamiento del motor. Si la herramienta no funciona al conectarla en una toma de corriente, vuelva a verificar el suministro de voltaje.

## CORDONES DE EXTENSIÓN

Al utilizar una herramienta eléctrica a una distancia considerable de la fuente de voltaje, asegúrese de utilizar un cordón de extensión con la suficiente capacidad para soportar la corriente de consumo de la herramienta. Un cordón de un calibre insuficiente causa una caída en el voltaje de línea, la cual a su vez produce recalentamiento y pérdida de potencia. Báse en la tabla suministrada para determinar el grueso mínimo requerido del cordón de extensión. Solamente deben utilizarse cordones con forro redondo registrados en Underwriter's Laboratories (UL).

Al trabajar a la intemperie con una herramienta, utilice un cordón de extensión fabricado para uso en el exterior. Este tipo de cordón lleva las letras "WA" o "W" en el forro.

Antes de utilizar un cordón de extensión, inspecciónelo para ver si tiene conductores flojos o expuestos y aislamiento cortado o gastado.

\*\*Amperaje (aparece en la placa frontal)

Longitud del cordón	Calibre conductores (A.W.G.)					
	0-2,0	2,1-3,4	3,5-5,0	5,1-7,0	7,1-12,0	12,1-16,0
25'	16	16	16	16	14	14
50'	16	16	16	14	14	12
100'	16	16	14	12	10	—

\*\*Se usa en los circuitos de calibre 12, 20 amp.

**NOTA:** AWG = Calibre conductores norma americana

### **ADVERTENCIA:**

Mantenga el cordón de extensión fuera del área de trabajo. Al trabajar con una herramienta eléctrica, coloque el cordón de tal manera que no pueda enredarse en la madera, herramientas ni en otras obstrucciones. La inobservancia de esta advertencia puede causar lesiones serias.

### **ADVERTENCIA:**

Inspeccione los cordones de extensión cada vez antes de usarlos. Si están dañados reemplácelos de inmediato. Nunca utilice la herramienta con un cordón dañado, ya que si toca la parte dañada puede producirse una descarga eléctrica, y las consecuentes lesiones serias.

# CARACTERÍSTICAS

## ESPECIFICACIONES DEL PRODUCTO

Corriente de entrada .....	120 V sólo C. A., 60 Hz, 4,8 A
Velocidad en vacío .....	350 - 3 000/min
Longitud de la carrera .....	19 mm (3/4 pulg.)
Órbitas alternativas .....	4

## ARMADO

### **ADVERTENCIA:**

No use este producto si no está totalmente ensamblado o si alguna pieza falta o está dañada. El uso de un producto que no está adecuadamente y completamente ensamblado o posee partes dañadas o faltantes puede resultar en lesiones personales graves.

### **ADVERTENCIA:**

No intente modificar este producto ni crear aditamentos o accesorios que no estén recomendados para usar con este producto. Dichas alteraciones o modificaciones constituyen un uso indebido y podrían provocar una situación de riesgo que cause posibles lesiones personales graves.

Si hay piezas dañadas o faltantes, le suplicamos llamar al 1-800-525-2579, donde le brindaremos asistencia. En México, llame al 01-800-843-1111.

## FUNCIONAMIENTO

### **ADVERTENCIA:**

No permita que su familiarización con este producto le vuelva descuidado. Tenga presente que un descuido de un instante es suficiente para infligir una lesión grave.

### **ADVERTENCIA:**

Siempre póngase protección ocular con protección lateral con la marca de cumplimiento de la norma ANSI Z87.1. La inobservancia de esta advertencia puede causar el lanzamiento de objetos hacia los ojos y otras lesiones graves.

### **ADVERTENCIA:**

No utilice ningún aditamento o accesorio no recomendado por el fabricante de esta herramienta. El empleo de aditamentos o accesorios no recomendados podría causar lesiones serias.

### USOS

Este producto puede emplearse para los fines enumerados abajo:

- Para cortar todo tipo de productos de madera (tablas, madera contrachapada, paneles, madera aglomerada y madera dura).
- Corte de chapa metálica delgada (hoja para corte de metal no incluido)
- Corte de plásticos y laminados

### INSTALACIÓN DE LA HOJA

Veá la figura 1, página 11.

**NOTA:** La sierra de vaivén está diseñada para usar hojas de fuste en "T" solamente.

#### Para instalar la hoja:

- Desconecte la sierra.
- Gire el perilla de ajuste de órbita a la posición 3.
- Rote la mordaza de la hoja de cambio rápido de manera que la ranura en la mordaza de la hoja se alinee con la ranura del rodillo de soporte para la hoja.
- Con la mordaza de cambio rápido de hoja hacia arriba, inserte la hoja de sierra lo más profundo que sea posible dentro de la ranura en el cuerpo de la mordaza para hojas y en el rodillo del soporte de la hoja.

# FUNCIONAMIENTO

- Revise para asegurarse de que la parte posterior de la hoja de corte esté centrada en la ranura de del rodillo del soporte de la hoja y la cuerpo de la mordaza de la hoja.
- Aflojar mordaza para hoja. Asegúrese de que la hoja esté firmemente en su lugar.

**NOTA:** Revise que la cuchilla esté totalmente insertada y completamente asegurada. La cuchilla se fijará en su posición si está correctamente instalada. **No utilice la herramienta si la hoja no está instalada correctamente.**

- Gire el perilla de ajuste de órbita en la posición deseada.

## Para quitar hoja:

- Desconecte la sierra.
- Espere a que la hoja se enfríe.
- Rote la mordaza de la hoja de cambio rápido de manera que la ranura en la mordaza de la hoja se alinee con la ranura del rodillo de soporte para la hoja.
- Quite la hoja.

## ENCENDIDO Y APAGADO DE LA SIERRA

Vea la figura 2, página 11.

Para **ON (ENCENDER)** la sierra, tire del gatillo del interruptor. Para **OFF (APAGAR)** la sierra, suelte el gatillo del interruptor.

## BOTÓN DEL SEGURO DE ENCENDIDO

Vea la figura 2, página 11.

La sierra está equipada de un seguro de encendido, el cual es muy útil cuando se requiere un corte continuo durante períodos de tiempo prolongados.

### Para poner el seguro de encendido:

- Oprima el gatillo del interruptor.
- Empuje hacia adentro y no deje salir el botón del seguro de encendido, el cual está situado en el costado del mango.
- Suelte el gatillo del interruptor.
- Suelte el botón del seguro de encendido.

### Para soltar:

- Oprima el gatillo del interruptor y suéltelo.

Si tiene el seguro de encendido puesto al usar la sierra y ésta se desconecta accidentalmente del suministro de corriente, quite el seguro de encendido de inmediato.

### **ADVERTENCIA:**

Antes de conectar la sierra al suministro de corriente, siempre verifique que el interruptor no esté en la posición de encendido (oprima y suelte el gatillo del interruptor). La inobservancia de esta advertencia puede causar un arranque accidental de la sierra, y por consecuencia posibles lesiones graves. No asegure el interruptor en la posición de encendido para trabajos en los cuales pueda necesitarse detener súbitamente la sierra.

## SELECTOR DE CONTROL DE VELOCIDAD

Vea la figura 3, página 11.

La sierra dispone de un selector de control de velocidad variable diseñado para permitir al operador controlar y ajustar los límites de velocidad y potencia. La velocidad y la potencia de la sierra pueden aumentarse o disminuirse girando el selector de control de velocidad variable en la dirección de las flechas mostradas en la figura 3.

**NOTA:** Para aumentar la velocidad y la potencia, sostenga la sierra en la posición normal de funcionamiento y gire el selector de velocidad hacia el signo positivo (+). Para disminuir la velocidad y la potencia, gire el selector hacia el signo negativo (-).

Si desea enclavar el seguro de encendido a una velocidad dada, oprima el gatillo del interruptor, oprima y no suelte el botón del seguro de encendido, y después suelte el gatillo. En seguida ajuste el selector de velocidad hasta alcanzar la velocidad deseada.

Evite utilizar la sierra a velocidad baja durante períodos de tiempo prolongados. Si se hace funcionar la sierra a baja velocidad en uso constante puede recalentarse. Si ocurre tal situación, enfríe la sierra poniéndola a funcionar en vacío y a toda velocidad.

Pueden aplicarse las siguientes pautas para determinar la velocidad correcta para diferentes trabajos:

**LA VELOCIDAD BAJA** es ideal cuando se requieren velocidad y potencia mínimas, por ejemplo, para iniciar cortes.

**LA VELOCIDAD MEDIANA** es apropiada para cortar metales duros, plásticos y material laminado.

**LA VELOCIDAD ALTA** produce resultados óptimos cuando se requiere potencia máxima, por ejemplo, para cortar madera. Los metales suaves, como el aluminio, el latón y el cobre, también pueden requerir velocidades altas.

### **ADVERTENCIA:**

No introduzca la hoja en las aberturas de ventilación. Podrían tocar una pieza interna cargada eléctricamente y causar una descarga eléctrica, con las consiguientes posibles lesiones serias.

# FUNCIONAMIENTO

## LUZ DE DIODO LUMINISCENTE

Vea la figura 4, página 11.

El luz de diodo luminiscente se ilumina al presionar el gatillo del interruptor para ofrecer una visión clara de la línea de corte sobre la superficie de trabajo.

## CORTES GENERALES

Deje descansar la parte frontal de la base de la sierra en la pieza de trabajo y alinee el borde de corte de la hoja con la línea de dicha pieza. Asegúrese de que el cordón eléctrico no estorbe y no esté en la línea de corte. Encienda la sierra y desplácela hacia adelante por la superficie de la pieza de trabajo. Aplique presión hacia abajo para mantener estable la sierra, y hacia adelante aplique sólo la presión suficiente para mantener la sierra cortando. No fuerce la sierra. Si se aplica demasiada presión hacia adelante la sierra puede recalentarse el motor y puede romperse la hoja de corte.

## MOVIMIENTO ORBITAL

Vea la figuras 5 y 6, páginas 11 y 12.

La hoja de la sierra corta con un movimiento orbital. Esta característica es ajustable y proporciona un corte más rápido y eficiente. Con el movimiento orbital la hoja corta la pieza de trabajo en la carrera ascendente pero no roza la pieza durante la carrera descendente. Para ajustar el movimiento en órbita, gire la perilla de ajuste orbital a la marca deseada. Consulte el cuadro en la figura 6 para encontrar la marca adecuada para el trabajo que intenta realizar.

NOTA: Ajustar la posición orbital a una marca inferior provocará un acabado más liso, pero un corte más lento. Una marca superior provocará un acabado más áspero, pero un corte más rápido.

## CORTES RECTOS

Vea la figura 7, página 13.

Pueden realizarse cortes rectos fijando con prensas de mano una tabla recta o regla en la pieza de trabajo y guiando el borde de la sierra contra la misma. Efectúe el corte en una dirección solamente. No corte hasta medio camino, para luego completar el corte a partir del extremo opuesto.

### ADVERTENCIA:

Para evitar posibles lesiones serias, mantenga las manos y los dedos alejados del espacio situado entre el alojamiento del engranaje y la mordaza de la hoja de corte, y mantenga montada la protección en su lugar.

### ADVERTENCIA:

Una presión lateral excesiva puede producir la ruptura de la hoja o daños en la pieza de trabajo.

## CORTES EN ÁNGULO (CORTES A BISEL)

Vea la figura 8, página 13.

El ángulo de corte a bisel puede ajustarse de 0° a 45°, a la derecha o a la izquierda. Puede cortarse en ángulos de 0° a 45°, los cuales están marcados en la escala en incrementos de 15°, tanto en el lado izquierdo como en el derecho de la base. Una flecha situada bajo el conjunto del motor sirve de indicación en cada uno de los mencionados incrementos de 15°. Cuando se requieren cortes precisos, se recomienda utilizar un transportador de ángulos.

- Desconecte la sierra.
- Afloje la base; para ello, empuje hacia adelante la palanca de ajuste de aquélla.
- Deslice la base hacia delante para liberarla de la posición de retención de 0°.
- Alinee la marca de la base correspondiente al ángulo deseado con la flecha indicadora del alojamiento del motor.

**NOTA:** Para un corte de 0°, deslice la base hacia atrás hasta que encaje en la posición de retención de 0°.

- Una vez alcanzado el ángulo deseado, apriete la palanca de ajuste de la base; para ello, empuje la palanca de fijación de la base hacia abajo del conjunto del motor.

## CORTES CONTORNEADOS

Vea la figura 9, página 13.

Pueden efectuarse cortes contorneados con la sierra de vaivén; para ello, guíe la dirección del corte aplicando presión lateral en el mango, como se muestra.

**NOTA:** Es posible que necesite una hoja de corte de desplazamiento continuo (no viene incluida) para obtener una mayor resistencia en los cortes de desplazamiento continuo.

### ADVERTENCIA:

Una presión lateral excesiva puede producir la ruptura de la hoja o daños en la pieza de trabajo.

## CORTES DE PENETRACIÓN

Vea la figura 10, página 13.

**NOTA:** Para este tipo de corte sólo utilice hoja de 7 dientes por pulgada.

### ADVERTENCIA:

Para evitar perder el control, romper hojas o dañar la pieza de trabajo, siempre tenga extrema precaución al efectuar cortes de penetración. No recomendamos efectuar cortes de penetración en ningún material que no sea madera.

- Marque claramente la línea de corte en la pieza de trabajo.
- Ajuste la órbita a "0".
- Fije el ángulo de corte a 0°.

# FUNCIONAMIENTO

- Incline hacia adelante la sierra, de manera que descansa en el borde frontal de la base y la hoja no toque la pieza de trabajo al encender la sierra.
- Asegúrese de que la hoja esté dentro del área del corte.
- Encienda la sierra a alta velocidad y lentamente baje la hoja para introducirla en la pieza de trabajo hasta que empiece a cortar a través de la madera.
- Continúe bajando e introduciendo la hoja en la pieza de trabajo hasta que la base descansa completamente abatida sobre la superficie de la pieza de trabajo, y después desplace hacia adelante la sierra para completar el corte.

## CORTE DE METALES

Vea la figura 11, página 13.

**NOTA:** La sierra debe estar en el modo de corte sin órbita para cortar metales y tubo conduit. Ponga el ajuste de órbita en "0". Consulte la sección **Movimiento en Órbita**, descrita anteriormente en este manual, para obtener más detalles.

Se pueden cortar numerosas clases de metales con la sierra utilizando una hoja para cortar este tipo de material (no viene incluida). Tenga cuidado de no torcer o doblar la hoja de la sierra. **No fuerce la herramienta.** Si la hoja traquetea o vibra excesivamente, use una hoja de dientes más finos

para corte de metales. Si la hoja se calienta excesivamente, aplique una velocidad más baja. Si los dientes de la hoja se llenan o cubren de limaduras al cortar metales suaves como el aluminio, utilice una hoja de dientes más bastos o una velocidad más baja. Recomendamos utilizar lubricante al cortar metales para mantener frías las hojas, aumentar la eficacia del corte y prolongar la duración de las mismas. Sujete firmemente la pieza de trabajo con prensas y corte cerca del punto de sujeción para eliminar toda vibración posible de la pieza.

Al cortar tubo conduit, así como tubo o ángulo de hierro, sujete la pieza de trabajo en una prensa de banco si es posible y corte cerca de la prensa. Para cortar material en forma de lámina delgada, "emparédelo" entre dos paneles de madera prensada o contrachapada y sujete las capas con prensas para eliminar la vibración y el desgarramiento del material. Haciendo esto el material se corta de manera eficiente. Coloque el dibujo o línea de corte encima del "emparedado".

**NOTA:** Al cortar metal, mantenga la porción expuesta de la hoja limpia y libre de limaduras de metal limpiándola frecuentemente con un paño impregnado de aceite. Tenga extrema precaución al desechar el paño impregnado de aceite después de terminar el trabajo, para evitar un peligro de incendio.

# AJUSTES

## ADVERTENCIA:

Antes de efectuar cualquier ajuste, asegúrese de que la herramienta esté desconectada del suministro de corriente y de que el interruptor esté en la posición de **APAGADO**. La inobservancia de esta advertencia podría causar lesiones corporales serias.

## AJUSTE DE LA PALANCA DE ADJUSTE DE LA BASE

Vea las figuras 12 y 13, página 13.

La palanca de ajuste de la base puede necesitar ocasionalmente un ajuste. Puede ser necesario apretar la palanca.

- Desconecte la sierra.

- Si está conectado el accesorio para aspiradora, desmóntelo.
- Retire los cuatro tornillos de la placa de la base y dicha placa para dejar expuesta la tuerca de ajuste.
- Afloje la palanca de ajuste de la base, tirando de la misma hacia adelante.
- Apriete el tornillo de ajuste girándolo hacia la derecha 1/4 de vuelta.
- Asegure la palanca de ajuste empujándola hacia atrás, abajo del conjunto del motor, y revise la base para ver si tiene algún movimiento.
- Si aún está floja la base, afloje la palanca de ajuste y apriete la tuerca de ajuste otro 1/4 de vuelta. Repita el procedimiento hasta dejar la base segura después de asegurar la palanca de ajuste.
- Instale la placa de la base y todos los cuatro tornillos de la misma.

# MANTENIMIENTO

## **ADVERTENCIA:**

Al dar servicio a la unidad, sólo utilice piezas de repuesto idénticas. El empleo de piezas diferentes puede presentar un peligro o causar daños al producto.

## **ADVERTENCIA:**

Siempre póngase protección ocular con protección lateral con la marca de cumplimiento de la norma ANSI Z87.1. La inobservancia de esta advertencia puede causar el lanzamiento de objetos hacia los ojos y otras lesiones graves.

## MANTENIMIENTO GENERAL

Evite el empleo de solventes al limpiar piezas de plástico. La mayoría de los plásticos son susceptibles a diferentes tipos de solventes comerciales y pueden resultar dañados. Utilice paños limpios para eliminar la suciedad, el polvo, el aceite, la grasa, etc.

## **ADVERTENCIA:**

No permita en ningún momento que fluidos para frenos, gasolina, productos a base de petróleo, aceites penetrantes, etc., lleguen a tocar las piezas de plástico. Las sustancias químicas pueden dañar, debilitar o destruir el plástico, lo cual a su vez puede producir lesiones corporales serias.

Las herramientas eléctricas que se utilizan en materiales de fibra de vidrio, paneles de yeso para paredes, compuestos de resaca o yeso, están sujetas a desgaste acelerado y posible fallo prematuro porque las partículas y limaduras de fibra de vidrio son altamente abrasivas para los cojinetes, escobillas, conmutadores, etc. Por consiguiente, no recomendamos el uso de esta herramienta durante períodos prolongados de trabajo en estos tipos de materiales. Sin embargo, si usted trabaja con cualquiera de estos materiales, es sumamente importante limpiar la herramienta con aire comprimido.

## LUBRICACIÓN

Todos los cojinetes de esta herramienta están lubricados con suficiente cantidad de aceite de alta calidad para toda la vida útil de la unidad en condiciones normales de funcionamiento. Por lo tanto, no se necesita lubricación adicional.

## REEMPLAZO DEL CORDÓN DE CORRIENTE

Un centro de servicio autorizado deben cambiar el cordón de corriente, en caso de que sea necesario, para evitar peligros.

# ACCESORIOS

Busque estos accesorios donde adquirió este producto:

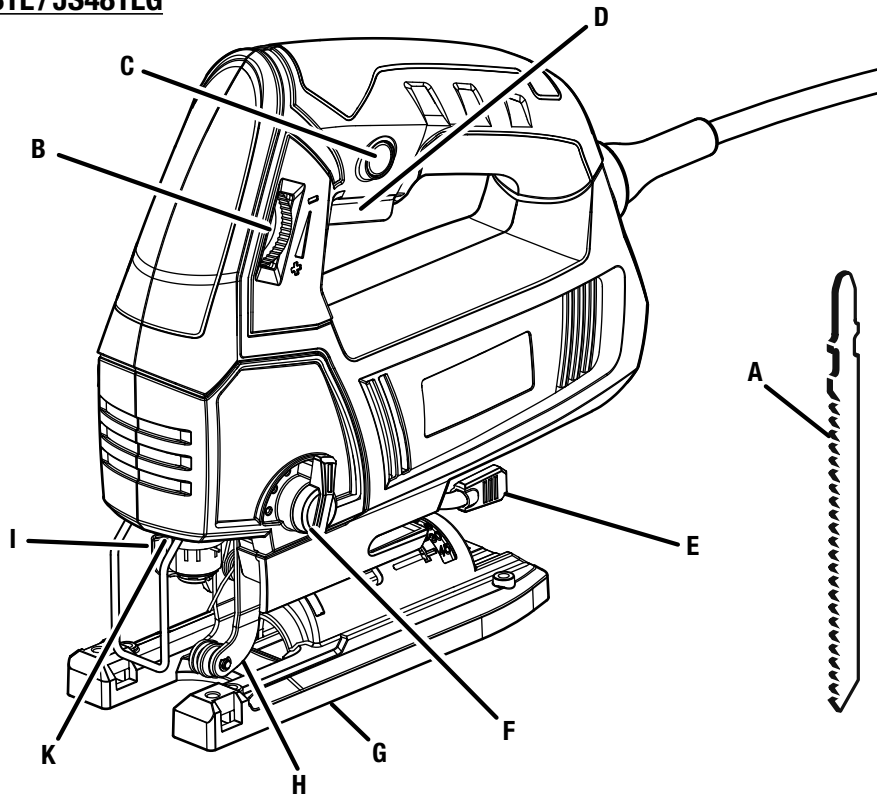
- Juego de guía para cantos con perillas de la base .....039076003101
- Abertura de salida de polvo .....039076001040

## **ADVERTENCIA:**

Arriba se señalan los aditamentos y accesorios disponibles para usarse con este producto. No utilice ningún aditamento o accesorio no recomendado por el fabricante de este producto. El empleo de aditamentos o accesorios no recomendados podría causar lesiones graves.

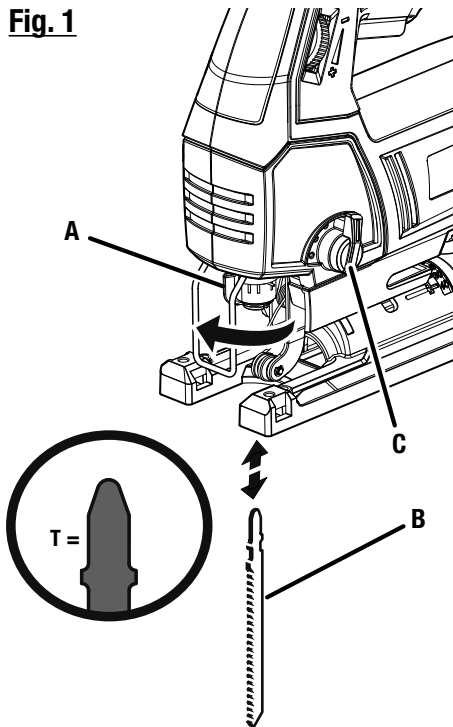
**Este producto tiene una garantía limitada de tres (3) año. Puede consultar los detalles de la garantía en [www.ryobitools.com](http://www.ryobitools.com) (en la EE.UU.) o [www.ryobitools.mx](http://www.ryobitools.mx) (en México).**

**JS481L / JS481LG**



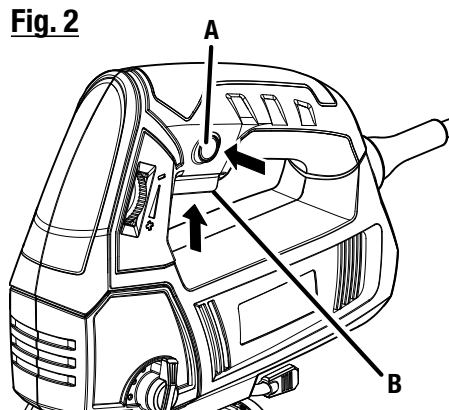
- A - Wood cutting blade (lame à bois, hoja para corte de madera)
- B - Variable speed control selector (sélecteur de vitesse variable, selector de control de velocidad variable)
- C - Lock-on button (bouton de verrouillage, botón del seguro de encendido)
- D - Switch trigger (gâchette, gatillo del interruptor)
- E - Base adjustment lever (levier de réglage de la base, palanca de ajuste de la base)
- F - Orbital adjustment knob (bouton de réglage d'orbite, perilla de ajuste de órbita)
- G - Saw base (base de la scie, base de la sierra)
- H - Blade support roller (rouleau de support de lame, rodillo de soporte de la hoja)
- I - Rapid change blade clamp (porte-lame à changement rapide, mordaza de cambio rápido de hoja)
- K - LED light (lampe à DEL, diodo lumineux)

**Fig. 1**



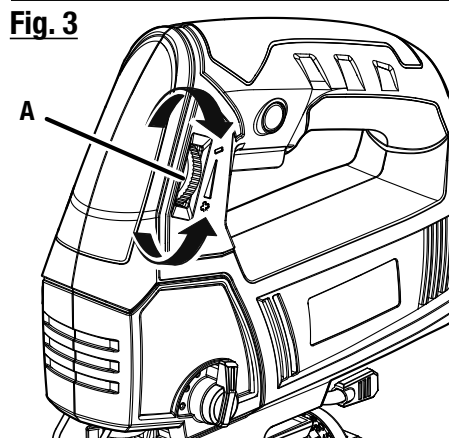
- A - Clamping lever (levier de serrage, palanca de fijación)
- B - Saw blade (lame de scie, hoja de la sierra)
- C - Orbital adjustment knob in position 3 (bouton de réglage d'orbite en position 3, perilla de ajuste de órbita en la posición 3)

**Fig. 2**



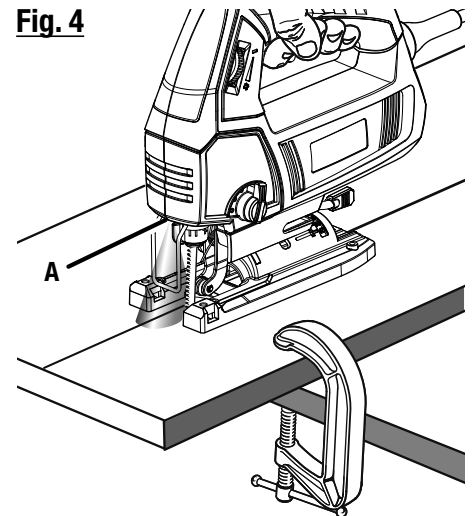
- A - Lock-on button (bouton de verrouillage, botón del seguro de encendido)
- B - Switch trigger (gâchette, gatillo del interruptor)

**Fig. 3**



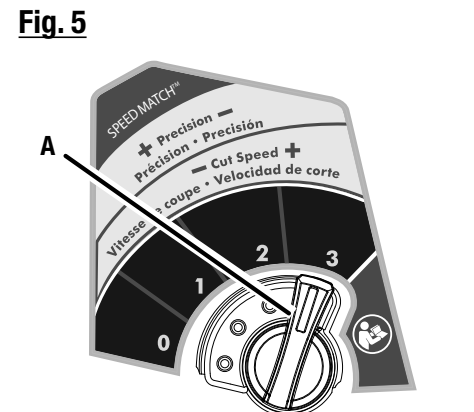
- A - Variable speed control selector (sélecteur de vitesse variable, selector de control de velocidad variable)

**Fig. 4**



- A - LED light (lampe à DEL, diodo lumineux)

**Fig. 5**



- A - Orbital adjustment knob (bouton de réglage d'orbite, perilla de ajuste de órbita)

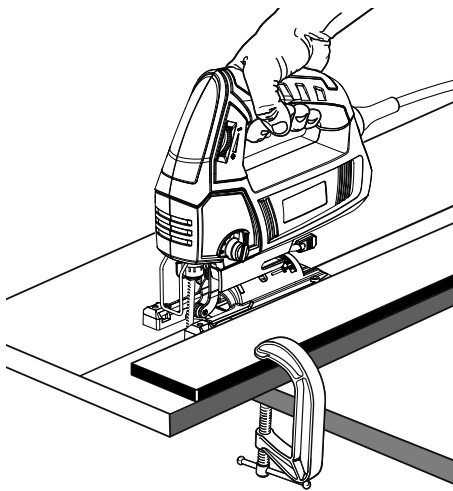
**Fig. 6**

Orbital Setting	Material Type	Suggested Blade Type	TPI (Teeth per inch)	Speed Setting	Orbital Action
0	Counter Top, Laminate Board	Wood Cutting Blade	10-12 (Down Stroke Blade)	Max Speed	No Orbit
	Thin Sheet Metal	Metal Cutting Blade (Not Included)	14-24	Slow - Medium Speed	No Orbit
1	Plastics and PVC	Wood Cutting Blade	10-12	Medium Speed	Minimal Orbit
	Scrolling or Curving Cuts in Wood	Scrolling Wood Blade	10-12	Max Speed	Minimal Orbit
2	Plywood, Decking and Hardwood	Wood Cutting Blade	6-12	Medium - Max Speed	Medium Orbit
3	General Lumber and Soft Wood	Wood Cutting Blade	6-10	Medium - Max Speed	Maximum Orbit

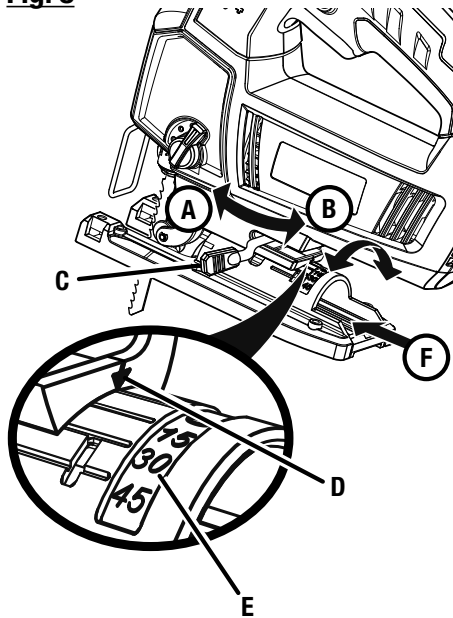
Réglages d'orbite	Type de matériaux	Suggère le type de lame	TPI (dents par pouce)	Réglages de vitesse	Mouvement orbital
0	Comptoir, conseil en stratifié	Lame à bois	10-12 (lame de descente )	Vitesse maximale	Pas de mouvement orbital
	Tôle	Lame pour coupe de métaux (non inclus)	14-24	Lente - Vitesse moyen	Pas de mouvement orbital
1	Plastiques et P.V.C.	Lame à bois	10-12	Vitesse moyen	Minime mouvement orbital
	Défilement ou courbe coupe en la bois	Lame pour coupe défilement	10-12	Vitesse maximale	Minime mouvement orbital
2	Contreplaqué, platelage et planchers en bois	Lame à bois	6-12	Moyen - Vitesse maximale	Moyen mouvement orbital
3	Général de bois et bois tendre	Lame à bois	6-10	Moyen - Vitesse maximale	Maximum mouvement orbital

Órbitas alternativas	Tipo de material	Sugirió tipo de hoja	TPI (dientes por pulgada)	Configuración de la velocidad	Movimiento en órbita
0	Encimera, tablero laminado	Hoja para corte de madera	10-12 (hoja de bajada)	Velocidad máxima	Ningún movimiento orbital
	Lámina metálica	Hoja para corte de metal (no incluida)	14-24	Lenta - Velocidad mediano	Ningún movimiento orbital
1	Plásticos y PVC	Hoja para corte de madera	10-12	Velocidad mediano	Movimiento orbital mínima
	Desplazamiento o cortes curvados en madera	Hoja para corte de desplazamiento	10-12	Velocidad máxima	Movimiento orbital mínima
2	Madera contrachapada, entarimado y pisos de madera	Hoja para corte de madera	6-12	Mediano - Velocidad máxima	Movimiento orbital mediano
3	Madera en general y madera suave	Hoja para corte de madera	6-10	Mediano - Velocidad máxima	Movimiento orbital máximo

**Fig. 7**

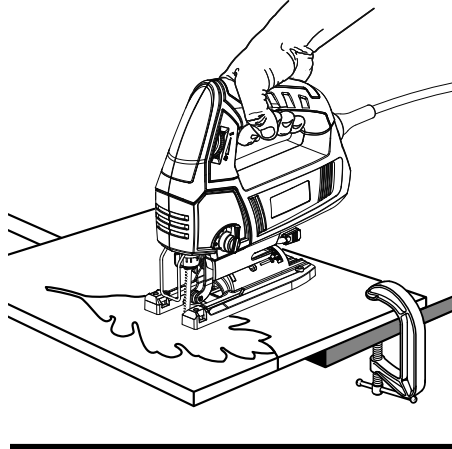


**Fig. 8**

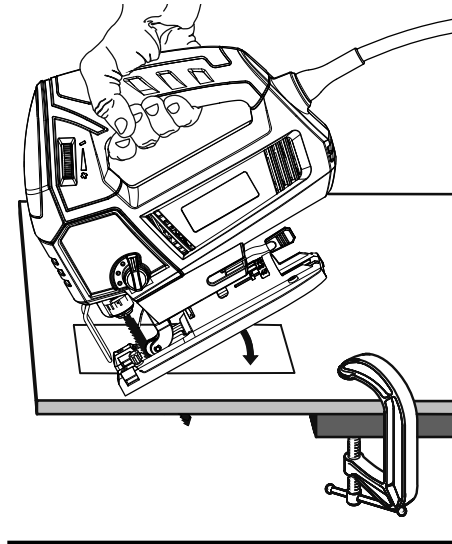


- A - Unlock (déverrouillage, desbloquear)
- B - Lock (verrouillage, asegurar)
- C - Base adjustment lever (levier de réglage de la base, palanca de ajuste de la base)
- D - Indicator arrow (flèche d'indicateur, flecha del indicador)
- E - Scale (échelle, escala)
- F - Slide forward to rotate base (glisser la base vers l'avant afin de la faire pivoter, deslice hacia adelante para rotar la base)

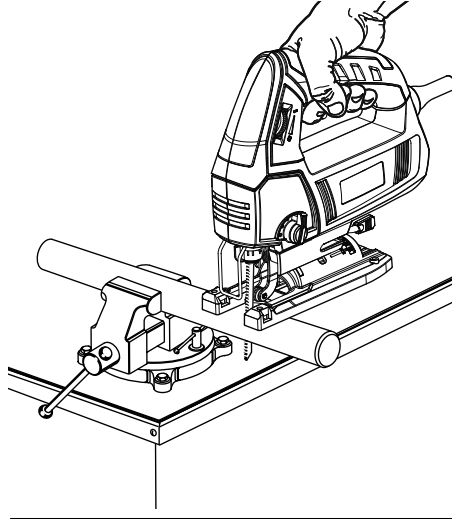
**Fig. 9**



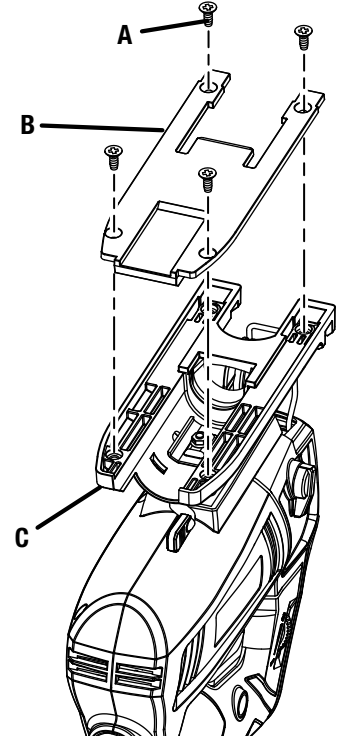
**Fig. 10**



**Fig. 11**

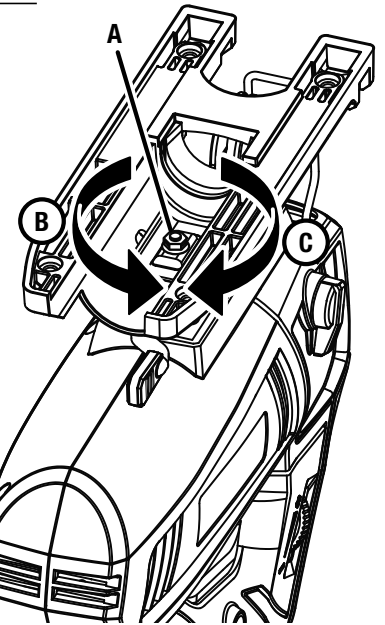


**Fig. 12**



- A - Base plate screws (vis de la semelle de la base, tornillos de la placa de la base)
- B - Base plate (semelle, placa de la base)
- C - Base (base, base)

**Fig. 13**



- A - Adjusting nut (écrou de réglage, tuerca de ajuste)
- B - To loosen (pour desserrer, para aflojar)
- C - To tighten (pour serrer, para ajustar)



**OPERATOR'S MANUAL / ORBITAL JIG SAW**  
**MANUEL D'UTILISATION / SCIE SAUTEUSE ORBITALE**  
**MANUAL DEL OPERADOR / SIERRA DE VAIVÉN ORBITAL**  
**JS481L / JS481LG**

To request service, purchase replacement parts,  
locate an Authorized Service Center or obtain Customer or Technical Support:  
Visit [www.ryobitools.com](http://www.ryobitools.com) or call **1-800-525-2579**

If any parts or accessories are damaged or missing, do not return this product to the store.  
Call **1-800-525-2579** for immediate service.

Please obtain your model and serial number from the product data plate.  
**This product is covered under a 3-year limited Warranty. Proof of purchase is required.**

MODEL NUMBER\* \_\_\_\_\_ SERIAL NUMBER \_\_\_\_\_

*\*Model number on product may have additional letters at the end. These letters designate manufacturing information and should be provided when calling for service.*

RYOBI is a registered trademark of Ryobi Limited and is used pursuant to a license granted by Ryobi Limited.

Pour faire une demande de réparations ou obtenir des pièces de rechange, trouver un  
Centre de réparations agréé pour obtenir un soutien technique ou le Service à la clientèle :  
Visiter [www.ryobitools.com](http://www.ryobitools.com) ou en téléphonant au **1-800-525-2579**

Si des pièces ou accessoires sont manquantes ou endommagées, ne pas retourner  
ce produit au magasin. Appeler immédiatement au **1-800-525-2579** pour obtenir de l'aide.

Inscrire les numéros de modèle et de série inscrits sur la plaque d'identification du produit.  
**Ce produit est couvert par une garantie limitée de trois (3) ans. Une preuve d'achat est exigée.**

NUMÉRO DE MODÈLE\* \_\_\_\_\_ NUMÉRO DE SÉRIE \_\_\_\_\_

*\*Le numéro de modèle sur le produit peut contenir des lettres supplémentaires à la fin. Ces lettres désignent les informations du fabricant et doivent être fournies lors d'un appel de demande de service.*

RYOBI est une marque déposée de Ryobi Limited et est utilisée en vertu d'une licence accordée par Ryobi Limited.

Para obtener servicio, comprar piezas de repuesto, localizar un centro de servicio autorizado  
y obtener Servicio o Asistencia Técnica al Consumidor:

Visite [www.ryobitools.com](http://www.ryobitools.com) (en la EE.UU.) o [www.ryobitools.mx](http://www.ryobitools.mx) (en México)  
o llame al **1-800-525-2579** (en la EE.UU.) o **01-800-843-1111** (en México).

Si hay alguna pieza o accesorios dañada o faltante, no devuelva este producto a la tienda.  
Llame al **1-800-525-2579** (en la EE.UU.) o **01-800-843-1111** (en México) para servicio técnico inmediato.

Obtenga su modelo y número de serie de la placa de datos del producto.  
**Este producto está cubierto con una garantía limitada de 3 años. Se solicita prueba de la compra.**

NÚMERO DE MODELO\* \_\_\_\_\_ NÚMERO DE SERIE \_\_\_\_\_

*\*El número de modelo que figura en el producto podría tener letras adicionales al final. Estas designan información de fabricación y deben suministrarse cuando llame para obtener asistencia o servicio.*

RYOBI es una marca registrada de Ryobi Limited y se utiliza conforme a una licencia otorgada por Ryobi Limited.

**TTI CONSUMER POWER TOOLS, INC.**

P.O. Box 1288, Anderson, SC 29622 • Phone 1-800-525-2579  
États-Unis, Téléphone 1-800-525-2579 • USA, Teléfono 1-800-525-2579

[www.ryobitools.com](http://www.ryobitools.com)